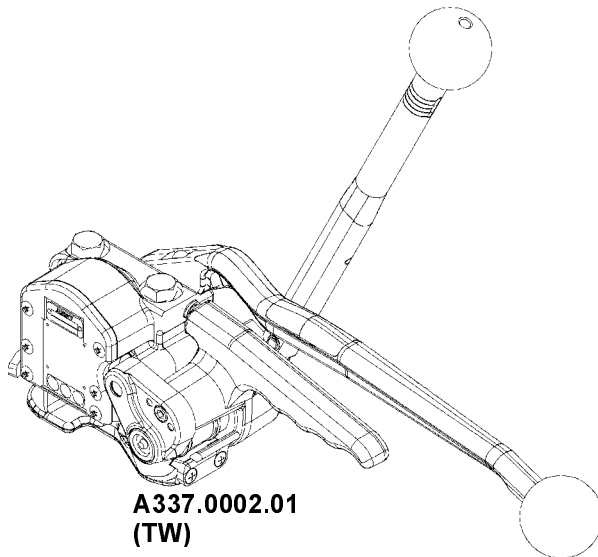


**FROMM**

SERVICE MANUAL

**MANUAL SEALLESS  
STEEL STRAPPING TOOL  
MODEL A337.0002.01**

**Manual for authorized dealers and service points**



**A337.0002.01  
(TW)**

**CE**



## 1.9 SERVICE ADDRESS

You will get further assistance and information at:

WWW.TRADITIONALTOOL.COM



## 4 SPARE PARTS LIST A337 TW

### 4.1 Type independent spare parts A337.0002.01

Item-No.		in group	Pcs.	Description	Dimension	Field
[A33.0105]			1	BEARING PICK-UP ATTACHMENT		B1
[A33.0114]			1	SEALING HOUSING		A3
[A33.0115]			1	DIE AND CUTTER SUPPORT		B2
[A33.0116]			1	ROCKER		C6
[A33.0117]			1	END COVER		D3
[A33.0119]			1	TORQUE LEVER		A7
[A33.0120]			1	SEALING HANDLE		A6
A33.3110			2	TENSIONING PAWL		C5
A33.3124			2	RING HALF		D6
A33.3169		A33.0119	1	HINGE		D7
A33.3170		A33.0119	1	COUPLER		C7
A33.3173		A33.0119	1	ADJUSTING SCREW		B6
A33.3174		A33.0119	1	SEALING SCREW		A6
A33.3175		A33.0119	1	BALL		A7
A33.5117			1	ROLLER		B3
A33.5118			1	PARALLEL PIN		C2
A33.5121			1	EYE		B2
A33.5122		A33.0105	1	BEARING PICK-UP ATTACHMENT		B2
A33.5127			1	EJECTOR SCREW		D4
[A33.7001]		A33.0114	1	SEALING HOUSING		B4
A33.7003		A33.0115	1	DIE AND CUTTER SUPPORT		B2
A33.7017			2	GUIDE GIB		B3
A33.7018			1	ECCENTRIC SHAFT		A3
A33.7019			1	GUIDE GIB		C2
A33.7020			1	GUIDE GIB		C2
A33.7021			1	SIDE PLATE		C2
A33.7022			1	COVER DISK		A5
A33.7023			1	EJECTOR		A3
A33.7033		A33.0120	1	SEALING HANDLE		B5
[A33.7101]		A33.0116	1	ROCKER		C6
A33.7103		A33.0117	1	END COVER		D3
A33.7105		A33.0119	1	DRIVER		D7
A33.7106		A33.0119	1	BOLT		B7
A33.7107		A33.0119	1	TUBE		B7
[A33.7108]			1	TENSION SHAFT		D5
A38.3129	*		1	GRIPPER		C5
A38.3210			1	PIVOT PIN		D3
A43.1207			1	DISK		D7
N11.1126			1	SCREW	M10 X 1 X 39	C4
N1.1106			1	SCREW	M6 X 20	E2
N1.1166		A33.0116	1	SCREW	M5 X 30	C7
N1.1571			2	HEXAGON SCREW	M12 X 1.25 X 90	A4
N1.1806			4	SCREW	M4 X 10	C3
N1.1807			5	SCREW	M5 X 12	A2+
N1.1912			6	FLAT HEAD SCREW	M5 X 16	D1
N1.2135			1	COUNTERSUNK SCREW	M5 X 12	A5
N1.3503		A33.0119	1	SOCKET SET SCREW	M5 X 12	D6
N1.3513			1	SOCKET SET SCREW	M10 X 40	B4
N1.6207		A33.0116	1	SPRING LOCK WASHER	M5	C7
N1.6220			1	SPRING LOCK WASHER	M6	E3

[] = Group

\* = Wearing part

Item-No.		in group	Pcs.	Description	Dimension	Field
N1.6326			2	SUPPORTING DISK	30 X 42 X 2.5	C6+
N1.6503			6	SAFETY WASHER	M5	D1
N2.1122			1	SECURITY RING	E21	D7
N2.1607		A33.0119	1	SPRING RING	20 MM	A6
N2.1611		A33.0119	1	SPRING RING	7 MM	B6
N2.2109			2	PARALLEL PIN	8 m6 X 30	B4
N2.2110		A33.0115	2	PARALLEL PIN	4 m6 X 10	C2
N2.2138			1	PARALLEL PIN	4 m6 X 12	B3
N2.2172		A33.0117	2	PARALLEL PIN	5 m6 X 30	E3
N2.2178		A33.0119	2	PARALLEL PIN	3 m6 X 9.2	D7+
N2.4902			2	HAMMER HEAD BOLT	1.85 X 4.76	C1
N2.4906		A33.0120	1	HAMMER HEAD BOLT	5,31 X 12,7	A5
N2.5154			2	PRESSURE SPRING	0.45 X 3.9 X 7	C5
N2.5213		A33.0119	1	PRESSURE SPRING	3,3X15,3X115/25,5	B6
N2.5215			1	PRESSURE SPRING	2,25X11,75X125	B6
N3.1702		A33.0119	2	BALL	4 MM	D6+
N3.1707		A33.0119	1	BALL	6 MM	D7
N3.2348		A33.0117	1	NEEDLE CASE		E4
N3.2606		A33.0117	1	PACKING RING		D4
N3.2904			1	PIN	4 X 8	B4
N3.3160		A33.0105	1	SLIDE-BEARING		B2
N3.3160		A33.0115	2	SLIDE-BEARING		B2+
N3.3164		A33.0114	1	SLIDE-BEARING		A4
N3.4507		A33.0116	1	NEEDLE FREE WHEELING		E6
N4.9128			1	ADHESIVE LABEL		C2
N4.1116		A33.0120	1	GRIP BALL		B6
N4.1411			1	SOCKET WRENCH	5 mm	--
N4.9152			1	NUMBER PLATE	A337	C1

**Type 13.1923.01**

13.1923.01	A337/20/0.50-0.63/TW			A337.0002.01		29.02.00
Item-No.		in group	Pcs.	Description	Dimension	Field
A33.5108	*		1	PUNCH		B3
A33.5115	*		1	DIE HALF		C3
A33.5116	*		1	DIE HALF		C3
A33.5224			2	SPACER RING		D5
A33.7007			1	BASE PLATE		C3
A33.7014			1	HOLDER		C5
A33.7016	*		1	CUTTER		C3
A33.7030			1	STRAP STOP		A3
A33.7032			1	EJECTOR		D4
A33.7115	*		1	TENSIONING WHEEL		D5
A33.7122			1	STRAP GUIDE		D4
N1.1304			2	SCREW	M3 X 8	C4
N1.6203			2	SPRING LOCK WASHER	M3	C3
N2.2147			1	PARALLEL PIN	3 m6 X 10	C4

[ ] = Group

\* = Wearing part

[ ] = Group

\* = Wearing part