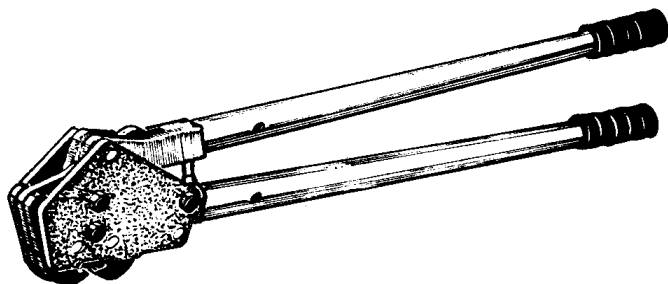


OPERATION, PARTS AND SAFETY MANUAL

DSA-116 & DSA-218 MANUAL SEALERS

DSA-116 (Part No. 306180) • DSA-218 (Part No. 306190)



TOOL SPECIFICATIONS

MODEL (Part No.)	STRAP			SEALS
	TYPE	WIDTH	THICKNESS	
DSA-116 (306180)	High Tensile	3/4"	.025 to .031	637, 482-12
DSA-218 (306190)		1 1/4"	.025 to .035	1032, 1032PBH, 1037

GENERAL SAFETY CONSIDERATIONS

- EYE INJURY HAZARD.**
Failure to wear safety glasses with side shields can result in severe eye injury or blindness. Always wear safety glasses with side shields which conform to ANSI Standard Z87.1.
- STRAP BREAKAGE HAZARD.**
Improper operation of the tool or sharp corners on the load can result in strap breakage during tensioning, which could result in the following:
 - A sudden loss of balance causing you to fall.
 - Both tool and strap flying violently towards your face.

Failure to place the strap properly around the load or on an unstable or shifted load could result in a sudden loss of strap tension during tensioning. This could result in a sudden loss of balance causing you to fall.

Read the tools operating instructions. If the load corners are sharp use edge protectors. Place the strap correctly around a properly positioned load.

Positioning yourself in-line with the strap, during tensioning and sealing, can result in severe personal injury from flying strap or tool.

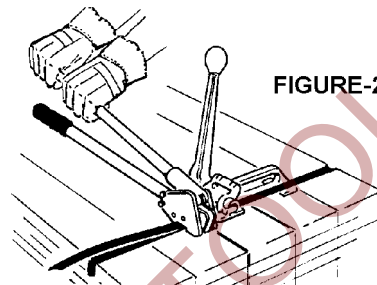
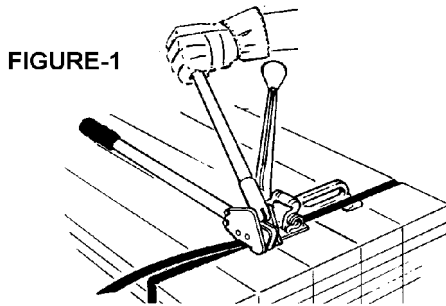
- When tensioning or sealing, position yourself to one side of the strap and keep all bystanders away.
- FALL HAZARD.**
Maintaining improper footing and/or balance when operating the tool can cause you to fall. Do not use the tool when you are in an awkward position.
 - CUT HAZARD.**
Handling strap or sharp parts could result in cut hands or fingers. Wear protective gloves.
 - TRAINING.**
This tool must not be used by persons not properly trained in their use. Be certain that you receive proper training from your employer. If you have any questions contact your Acme Representative.
 - TOOL CARE.**
Take good care of the tool. Inspect and clean it daily, lubricate it weekly and adjust when necessary. Replace any worn or broken parts.
 - WORK AREA.**
Keep work areas uncluttered and well lighted.

OPERATING INSTRUCTIONS

1. Fully open the sealer handles and center the open jaws on the seal. See Figure 1.
2. Bring the sealer handles together completely together to assure a proper notch. See Figure 2.
3. Remove the sealer. Place the sealer on the opposite end of the seal and bring the handles completely together. Remove the sealer.

NOTE: If the gauge of the strap being used will not allow it to be bent, cut the strap supply as close to the seal as possible using an approved strap cutter.

4. To avoid contact with the sharp end of the strap, retract the strap end back into the strap dispenser.



PARTS LIST

KEY	QTY.	DSA116 PART#	DSA218 PART#	DESCRIPTION
1	3	003911	003911	Flexloc nut, thin, 5/16-24
2	2	004033	003971	Side plate
3	4	004037	003974	Jaw pin
4	4	004039	003977	Jaw
5	2	004038	003976	Notcher pin
6	2	004041	003991	Notcher
7	1	306183	306193	Upper handle assembly
8	4	004036	003973	Link pin
9	1	003907	003907	Rear link
10	1	003906	003906	Front link
11	3	004034	-	HHCS, 5/16-24 x 1 7/16
	3	-	003972	HHCS, 5/16-24 x 1 5/8
12	2	082630	082630	Grip
13	1	306184	306194	Lower handle arm assembly
14	1	003132	003132	Caution plate
15	1	584-1172	584-1162	Nameplate

When ordering parts, please show tool model, part number and name.

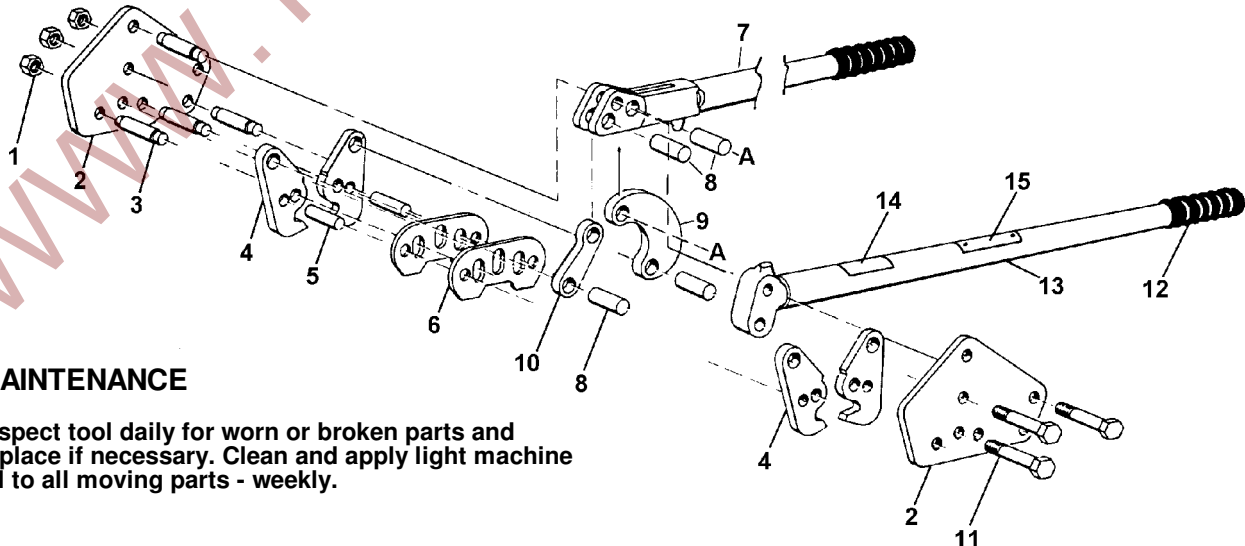
All recommended spare parts are underlined and should be stocked.

Standard hardware parts may be obtained from local hardware suppliers.

WARNING

Inspect all parts daily and replace them if they are worn or broken. Failure to do this can affect a product's operation and could result in serious personal injury.

For Parts Support Call 1-877-862-6699



MAINTENANCE

Inspect tool daily for worn or broken parts and replace if necessary. Clean and apply light machine oil to all moving parts - weekly.