

OPERATION, PARTS AND SAFETY MANUAL



An ITW Company

DSPN-250
PNEUMATIC SEALER
Part No. 306230

IMPORTANT! **DO NOT DESTROY**

It is the customer's responsibility to have all operators and servicemen read and understand this manual.

Contact your local Acme representative for additional copies of this manual.

READ ALL INSTRUCTIONS BEFORE OPERATING THIS ACME PRODUCT

WARNING

READ THESE INSTRUCTIONS CAREFULLY. FAILURE TO FOLLOW THESE INSTRUCTIONS CAN RESULT IN SERIOUS PERSONAL INJURY.

STRAP BREAKAGE HAZARD

Improper operation of the tool or sharp corners on the load can result in strap breakage during tensioning, which could result in the following:

- A sudden loss of balance causing you to fall.
- Both tool and strap flying violently towards your face.

Failure to place the strap properly around the load or an unstable or shifted load could result in a sudden loss of strap tension during tensioning. This could result in a sudden loss of balance causing you to fall.

- If the load corners are sharp use edge protectors.
- Positioning yourself in-line with the strap, during tensioning and sealing, can result in severe personal injury from flying strap or tool. When tensioning or sealing, position yourself to one side of the strap and keep all bystanders away.

TRAINING

This tool must not be used by persons not properly trained in its use. Be certain that you receive proper training from your employer. If you have any questions contact your Acme Representative.

EYE INJURY HAZARD

Failure to wear safety glasses with side shields can result in severe eye injury or blindness. Always wear safety glasses with side shields which conform to ANSI Standard Z87.1 or EN 166.



FALL HAZARD

Maintaining improper footing and/or balance when operating the tool can cause you to fall. Do not use the tool when you are in an awkward position.

CUT HAZARD

Handling strap or sharp parts could result in cut hands or fingers. Wear protective gloves.



TOOL CARE

- Inspect and clean the tool daily. Replace all worn or broken parts.
- Lubricate all moving parts weekly unless otherwise specified.

WORK AREAS

Keep work areas uncluttered and well lighted.

⚠️ WARNING

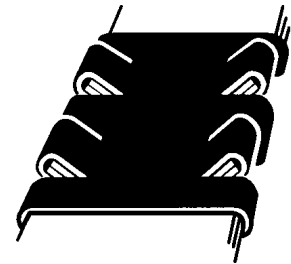
Use correct Acme products for your application. If you need help contact your Acme Representative.

Acme tools and machines are designed and warranted to work together with Acme strapping and seals. Use of non-Acme strap and seals and/or manufactured or specified replacement parts may result in strap breakage or joint separation while applying strapping to a load or during normal shipping and handling. This could result in severe personal injury.

JOINT FORMATION

An improperly formed joint, or a joint with an incorrect number of notches, could result in strap separation. Before moving any package, be certain that the joint is formed as shown in the illustration. If not, remove the strap and check the tool for worn or broken parts. Repair the tool before applying another strap. Failure to follow this procedure could result in serious injury or death. If you have questions regarding proper joint formation, contact your Acme Sales Representative.

Before making a single reverse notch seal joint, read the sealing tool's Operation, Parts and Safety Manual. A properly formed single reverse notch joint will appear as shown in the illustration. Two sealing operations are required for seal joint. Always use the correct number of seals recommended by your Acme Sales Representative.



If the single notch joint does not appear as shown in the illustration proceed as follows:

1. Review the tool's operating instructions to be certain that the tool is being operated properly before applying another strap.
2. Cut the strap off, and apply a new strap and seal.

MOVING AND STACKING STRAPPED LOADS

Before moving or stacking any strapped load, follow all standard industry practices regarding safe material handling procedures.

CUTTING TENSIONED STRAP

Using claw hammers, crowbars, chisels, axes or similar tools will cause tensioned strap to fly apart with hazardous force. Use only cutters designed for cutting strap. Read the instructions in the cutter's manual for proper procedures in cutting strap. Before using any Acme product read its Operation and Safety Manual.

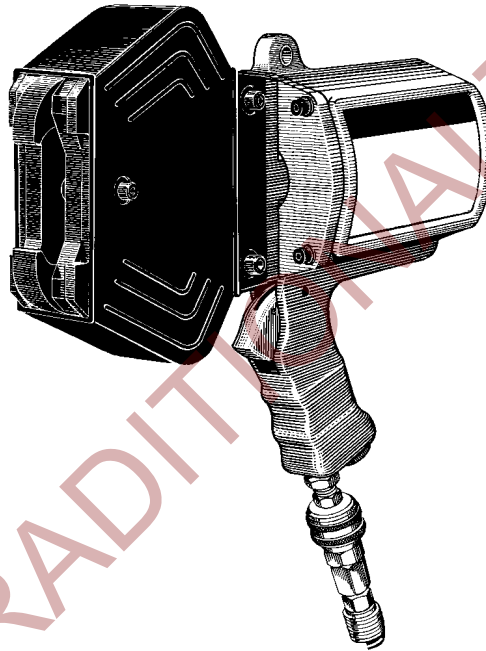
TABLE OF CONTENTS

	Page
General Safety Information	2
Specifications	4
Pneumatic Information	5
Operating Instructions	8
Joint Formation	9
Tool Maintenance	9
Parts List	10

! WARNING

Acme tools and machines are designed and warranted to work together with Acme strapping and seals. Use of non-Acme strap and seals and/or manufactured or specified replacement parts may result in strap breakage or joint separation while applying strapping to a load or during normal shipping and handling. This could result in serious personal injury.

DSPN-250



SPECIFICATIONS

MODEL (Part No.)	STRAP		
	TYPE	WIDTH	THICKNESS
DSPN-250 (306230)	MAGNUS	2"	.044 to .050

PNEUMATIC INFORMATION

AIR PRESSURE REQUIREMENTS

Air pressure must be maintained between 60-110 psi. Adjust the pressure regulator on the filter-regulator-lubricator unit to deliver the proper pressure.

AIR SUPPLY INSTALLATION

If compressor has a good dryer unit, use black pickled pipe. When a dryer unit is not installed, use galvanized or copper pipe. To perform reliably, a pneumatic tool requires a continuous source of clean, water-free air at adequate pressure.

WARNING

Never operate this tool using a bottled air or gas source.
Bottled air/gas sources do not provide consistent operating pressure

A filter-regulator-lubricator (FRL) unit must be installed as close to the air tool as possible, preferably within 10 feet. It should be placed in a convenient location where it can easily be drained, adjusted, and filled with oil. The air hose must have at least a 3/8" I.D. A quick disconnect socket fitting is installed on the stress spring end of the hose for convenient hookup to the air tool.

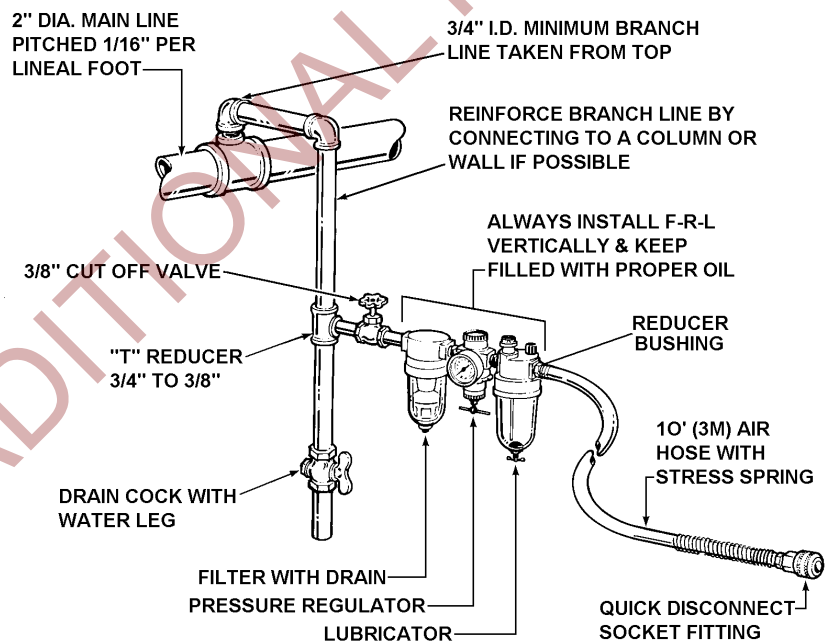
Filter-Regulator-Lubricator Unit
(Acme Part No. 008559 or 173111)

FRL Mounting Bracket
(Acme Part No. 071982)

Air Hose, 3/8" ID, 1/4" Fittings
(Acme Part No. 008558)

Reducer Bushing, 3/8" to 1/4"
(Acme Part No. 008478)

Quick Disconnect, 1/4" Fitting
(Acme Part No. 020706)



Filter and lubricator bowls are made of polycarbonate material. Do not install where bowls may be exposed to materials incompatible with polycarbonate. Certain oils, solvents, and chemicals or their fumes can weaken these bowls and possibly cause them to burst. Clean only with warm water. A cut-off valve placed ahead of the filter will be useful when cleaning the filter or replenishing the lubricator.

PNEUMATIC INFORMATION, Continued

MOISTURE

Moisture is always present in air lines due to condensation within the lines as the air cools. Steps must be taken to remove this moisture and to keep it from the air tool. This is because water tends to wash away lubricants and cause corrosion, sticking and failure of internal parts.

The main line should be pitched so the far end terminates in a water leg. Branch lines are taken from the top of the main, never off the bottom. Every branch should have a water leg at its lowest point, with a drain cock which is drained daily.

If these precautions are taken and water is still present, an after cooler and a moisture separator are required between the compressor and the air receiver tank. A large air line separator can be installed in the air tool line, but precautions must be taken to insure that it will be drained daily, before the air tool is operated.

Water in air lines is a constant threat to the proper operation of air tools. Even near freezing operating conditions, a good refrigerant type dryer is essential. A good dryer will remove 95% or more of water right at the compressor. The remaining moisture is removed at the water leg in the piping system or in the filter.

LUBRICATION

The air tool must be properly lubricated. This is achieved by keeping the air line lubricator filled with oil and correctly adjusted. Without proper lubrication, the tool will become sticky and will be difficult to release from the strap.

Install the lubricator as close to the air tool as possible. The arrow on the lubricator's top surface must point in the direction of air flow.

For proper operation, oil must drop through the lubricator sight glass at a rate of 4 to 10 drops per minute. This rate is checked while the air tool is running free. Only 20% of this oil is actually delivered to the tool. The remaining oil drops back into the oil reservoir. The unit is factory set and should require no adjustment. If an adjustment is required, the adjusting screw on top of the lubricator may be turned as marked to reduce or increase the flow of oil.

The correct grade of oil must be used in the lubricator; too heavy an oil will not provide sufficient lubrication and will cause sticking and sluggish operation of the air tool.

Recommended oils are any good grade of rust and oxidation inhibiting oil with a viscosity of 80-120 S.U.S. at 100 degrees Fahrenheit. (0.15 to 0.25 cm^2/sec . at 38 degrees Celsius), such as:

Non Fluid Oil Co., grade #LS-1236

If necessary, use SAE #5 or SAE #10 non-detergent, cut 1 to 1 with kerosene.

NOTE: Some oils contain anti-wear additives which may disable the tool. Be certain to use recommended oil.

Several drops of lubricator oil added to the inlet of the air line each day will help insure good operation. A noticeable reduction of performance can usually be corrected by squirting a few drops of oil into the air line.

COLD WEATHER OPERATION

If a tool does not operate satisfactorily in freezing temperatures, certain steps can correct the problem. The following steps can be taken to improve cold weather operation of the tool:

- a. An air line dryer adjacent to the compressor.
- b. Use lubricant recommended by Acme. Acme has tested the use of anti-freezes, none work well in air tools; the tool will gum up when anti-freezes are introduced and will not function properly. The best lubricant for freezing weather is the 1 to 1 oil and kerosene combination.
- c. If possible, run the air supply line to a indoor located Filter-Regulator-Lubricator or relocate the F-L-R to a warmer operating area.

OPERATING INSTRUCTIONS

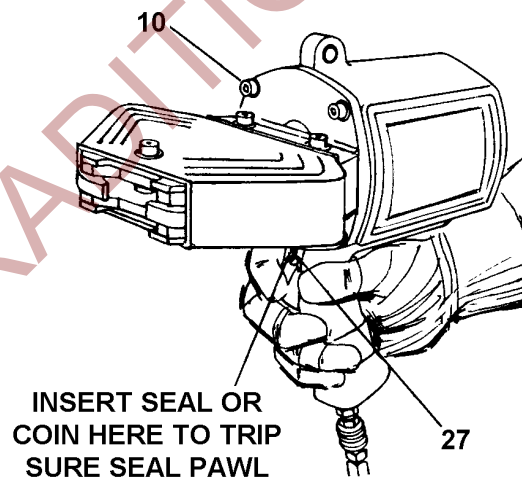
! WARNING

- Wear safety glasses which conform to ANSI Standard Z87.1 or EN 166.
- Make sure all bystanders are clear before proceeding.
- Operating air line pressure must not exceed 110 psig.
- Keep fingers and other body parts away from sealer jaws.
- Failure to follow the above could result in serious personal injury.

SEALING OPERATION

Sealing is performed by positioning the sealing jaws over the seal in the desired notching location, then actuating the trigger located on the handle grip. When the notching action is complete, the trigger will release automatically and the sealing jaws will return to the neutral position. Remove the tool and inspect the joint to make sure the tool has formed a proper seal.

If the air pressure is too low or interference from the application prevents the sealing jaws from making a complete notch, the sure-seal pawl will prevent the sealing jaws from returning to neutral. If this occurs, the sure-seal pawl (27) must be manually released. Insert a seal or coin at the trigger, as shown in the illustration, and trip the pawl. Increase the air pressure or clear the obstruction and reseal.



JOINT FORMATION

An improperly formed joint, or a joint with an incorrect number of notches, could result in strap separation. Before moving any package, be certain that the joint is formed as shown in the illustration. If not, remove the strap and check the tool for worn or broken parts. Repair the tool before applying another strap. Failure to follow this procedure could result in serious injury or death. If you have questions regarding proper joint formation, contact your Acme Sales Representative.

Before making a single reverse notch seal joint, read the sealing tool's Operation. Parts and Safety Manual. A properly formed single reverse notch joint will appear as shown in the illustration. Two sealing operations are required for seal joint. Always uses the correct number of seals recommended by your Acme Sales Representative.



If the single notch joint does not appear as shown in the illustration proceed as follows:

1. Review the tool's operating instructions to be certain that the tool is being operated properly before applying another strap.
2. Cut the strap off, and apply a new strap and seal.

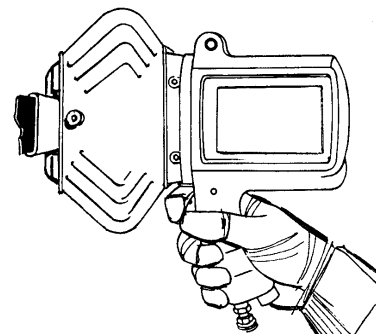
TOOL MAINTENANCE, CLEANING & LUBRICATION

A periodic cleaning of all external moving parts and the application of a light machine oil will greatly prolong the serviceability of this tool. In applications where a lubricator is not used, daily addition of a light machine oil, added directly to the hose connection, is recommended. The sealer, if functioning properly, will not leak air when the trigger is in the OFF position or when holding the trigger firmly down in the ON position. If leakage is present, the O-ring (5) should be examined for damage or extreme wear. Remove 4 cap screws (10) and separate the head from the cylinder. Note the position of the spring (6) for proper reassembly. Remove O-ring from piston head, and replace if necessary.

Apply a high melting point grease to the groove in the piston prior to replacing the O-ring. The O-ring is purposely larger than the bore of the cylinder so care must be taken upon reassembly. Position spring, replace cap screws and test for leakage. If leakage continues to exist, check valve plug (39) and pipe bushing (31) for tightness.

HEAD ROTATION

The sealing head and the mounting plate may be turned to permit the operator to hold the tool in a vertical position while sealing a horizontal strap. To rotate the sealing head, remove the four cap screws (10) and separate the sealing head from the cylinder (41). Rotate the head 90°, reposition the sure seal spring, and replace the screws.

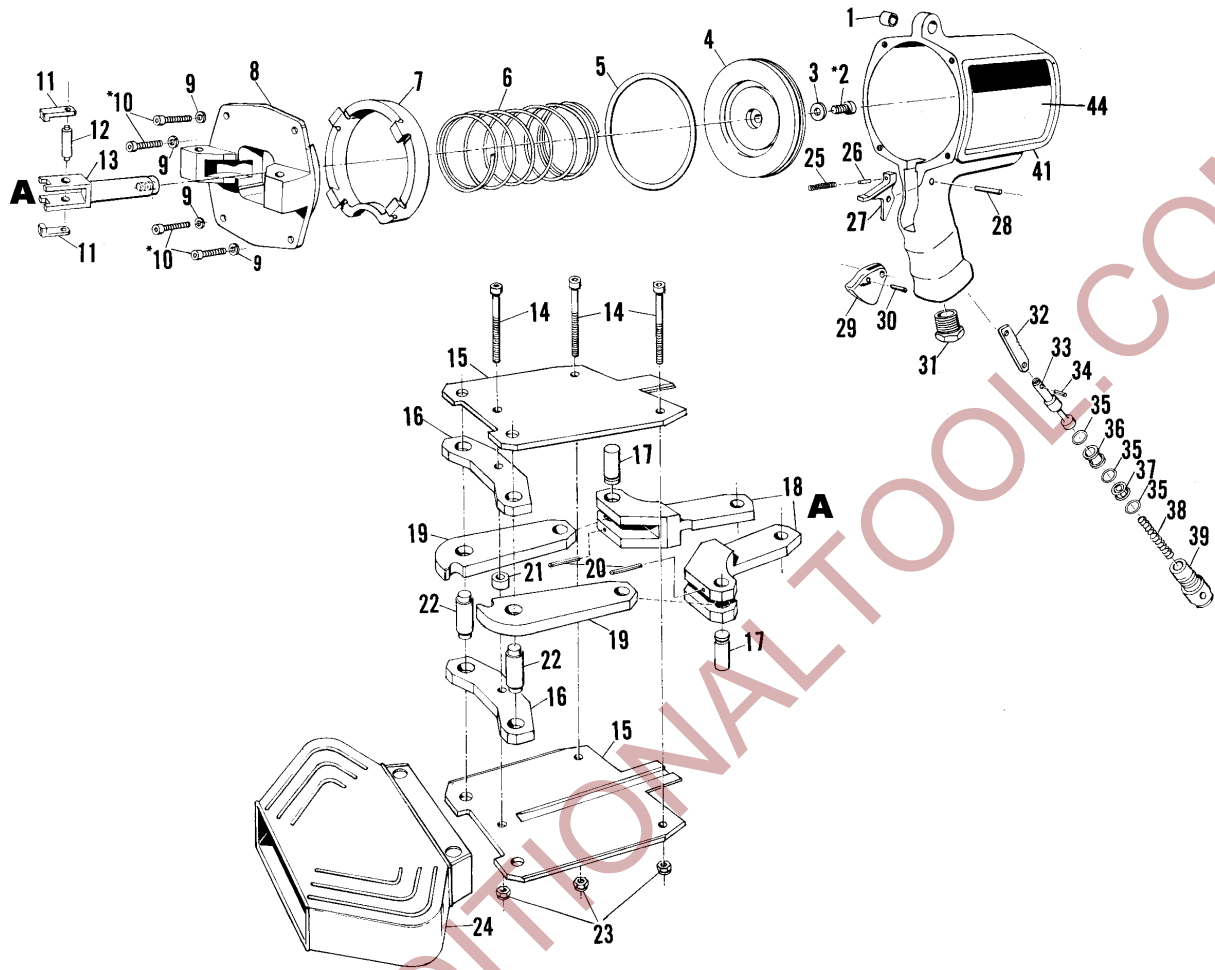


PARTS LIST

<u>KEY</u>	<u>QTY.</u>	<u>PART NO.</u>	<u>DESCRIPTION</u>
1	1	008672	Bushing
2*	1	055606	Low head cap screw
3	1	007453	Flat washer, 3/8
4	1	046835	Piston
5	1	015627	O-ring
6	1	032371	Return spring
7	1	047639	Rubber bumper
8	1	046836	Mounting plate
9	4	002187	Split lock washer, 1/4
10	4	009042	Socket head screw, 1/4-20 x 1
11	2	015606	Ram guide
12	1	015608	Ram pin
13	1	046834	Ram
14	3	015628	Socket head screw, 5/16-24 x 1 7/8
15	2	046833	Side plate
16	2	046829	Notcher
17	2	046830	Link pin
18	2	046837	Link
19	2	046828	Jaw
20	2	005709	Roll pin, 3/32 x 11/16
21	1	046832	Spacer
22	2	046831	Jaw pin
23	3	003911	Hex locknut, 5/16-24
24	1	055927	Protecting boot
25	1	015626	Spring
26	1	014572	Roll pin, 3/32 x 1/4
27	1	015633	Pawl
28	1	012582	Dowel pin, 3/16 x 1
29	1	015632	Trigger
30	1	008837	Roll pin, 1/8 x 9/16
31	1	008478	Pipe bushing, 1/4 x 3/8
32	1	015630	Valve link
33	1	015629	Valve stem
34	1	006045	Roll pin, 1/8 x 3/8
35	3	008596	O-ring
36	1	015636	Valve sleeve, intake
37	1	023040	Valve sleeve, exhaust
38	1	015635	Valve return spring
39	1	015634	Valve plug
41	1	015638	Cylinder
44	1	271199	Warning sign

* Apply one drop of Loctite #271 Sealant to cleaned parts. Allow 12 hours to set if possible.

- When ordering parts, please show tool model, part number and description.
- Standard hardware parts may be obtained from local hardware suppliers.
- Recommended spare parts are usually limited to those item unlined and should be stocked.



⚠ WARNING
 Inspect all parts daily and replace them if they are worn or broken. Failure to do this can affect a product's operation and could result in serious personal injury.