

DSR-220 MANUAL SEALER

Part No. 306210

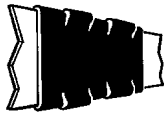
GENERAL SAFETY CONSIDERATIONS

- EYE INJURY HAZARD.**
Failure to wear safety glasses with side shields can result in severe eye injury or blindness. Always wear safety glasses with side shields which conform to ANSI Standard Z87.1 or EN 166.
- FALL HAZARD.**
Maintaining improper footing and/or balance when operating the tool can cause you to fall. Do not use the tool when you are in an awkward position.
- CUT HAZARD.**
Handling strap or sharp parts could result in cut hands or fingers. Wear protective gloves.
- TRAINING.**
This tool must not be used by persons not properly trained in its use. Be certain that you receive proper training from your employer. If you have any questions contact your Acme Representative.
- TOOL CARE.**
Take good care of the tool. Inspect and clean it daily, lubricate it weekly. Replace any worn or broken parts.
- WORK AREA.**
Keep work areas uncluttered and well lighted.
- TENSIONING STRAP.**
When tensioning strap use proper tensioner for specific strap sizes. Read the tensioner's operation and safety manual.

Several combinations of strap, seals and tools can be used with this sealer. Use the correct Acme products for your application. If you need help contact your Acme Representative.

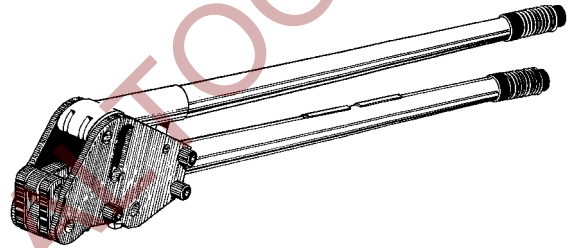
SAFETY PROCEDURES FOR TOOL OPERATION

- Before using this sealer, read all the instructions in this Operation, Parts and Safety Manual.
- Always lift and carry the tool by the tool handle knob. Lifting the tool at any other point may expose the hand to a "pinch point."
- Make sure the sealer jaws are placed directly on the seal.
- While sealing, position yourself to one side of the tensioned strap.
- This tool is a double reverse notch sealer. A properly notched seal will appear as shown in the illustration. If the notched seal does not appear as shown, inspect the tool for worn and/or damaged parts. Replace tool parts as needed. Do not ship any loads secured with improperly notched seals. Seal must be properly notched.



CUTTING TENSIONED STRAP

FLYING STRAP HAZARD. Using claw hammers, crowbars, chisels, axes or similar tools will cause tensioned strap to fly apart with hazardous force. Use only cutters designed for cutting strap. Read the instructions in the cutters manual for proper procedure in cutting strap. Before using any Acme product read its operation and safety manual.

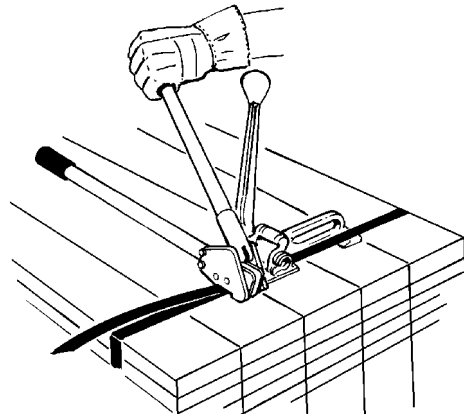


SPECIFICATIONS

For use with 1-1/4" High Tensile steel strapping .025" to .035" thick.

OPERATING INSTRUCTIONS

- Fully open the sealer handles and center the open jaws on the seal.

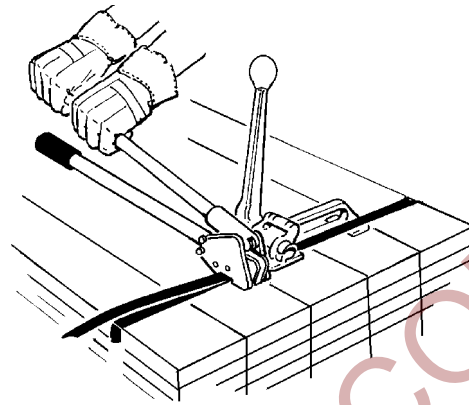


OPERATING INSTRUCTIONS, Continued

2. Bring the sealer handles completely together to assure a proper notch.
3. Remove the sealer.

NOTE: If the gauge of the strap being used will not allow it to be bent, cut the strap supply as close to the seal as possible using an approved strap cutter.

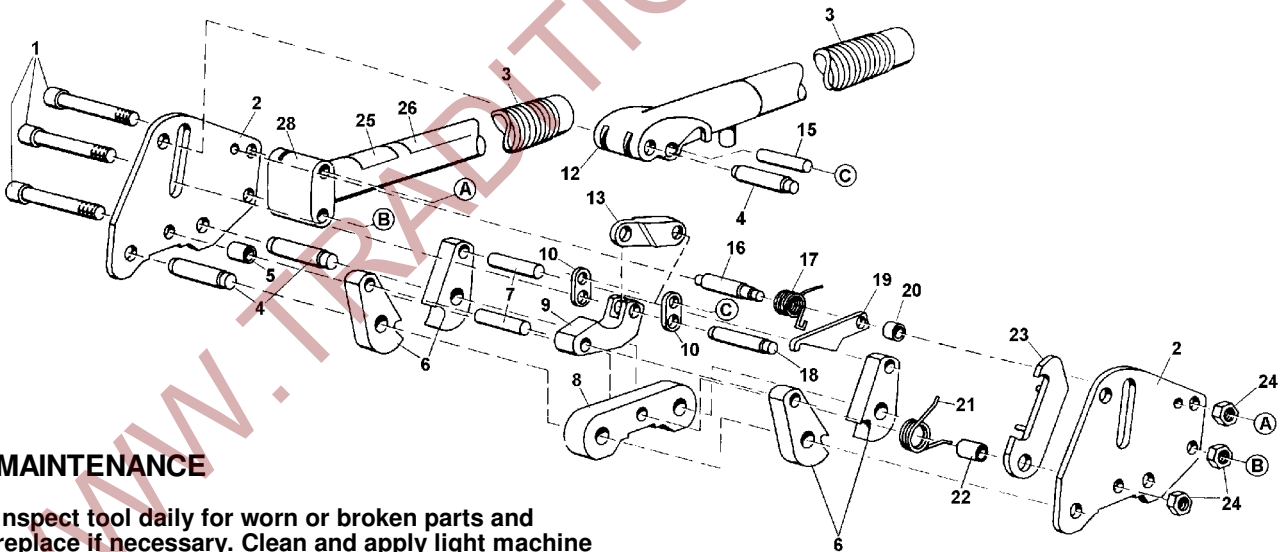
4. To avoid contact with the sharp end of the strap, retract the strap end back into the strap dispenser.



PARTS LIST

KEY	QTY	PART#	DESCRIPTION	KEY	QTY	PART#	DESCRIPTION
1	3	<u>020370</u>	<u>SHCS, 5/16-24 x 2 1/16</u>	16	1	<u>020355</u>	<u>Latch trigger pin</u>
2	2	<u>020369</u>	<u>Side plate</u>	17	1	<u>020357</u>	<u>Trigger spring</u>
3	2	<u>020378</u>	<u>Handle grip</u>	18	1	<u>020364</u>	<u>Link pin</u>
4	3	<u>020366</u>	<u>Jaw pin</u>	19	1	<u>020356</u>	<u>Latch trigger</u>
5	1	<u>020368</u>	<u>Spacer</u>	20	1	<u>020358</u>	<u>Trigger spacer</u>
6	4	<u>020365</u>	<u>Jaw</u>	21	1	<u>020354</u>	<u>Latch spring</u>
7	2	<u>020361</u>	<u>Toggle link pin</u>	22	1	<u>020353</u>	<u>Latch spacer</u>
8	1	<u>020367</u>	<u>Notcher</u>	23	1	<u>020351</u>	<u>Latch</u>
9	1	<u>020360</u>	<u>Toggle link female</u>	24	3	004964	Flexloc nut, thin, 5/16-24
10	2	<u>020362</u>	<u>Short link</u>	25	1	003132	Caution plate
12	1	422007	Upper handle arm assembly	26	1	584-1127	Name plate
13	1	<u>020359</u>	<u>Toggle link male</u>	28	1	422009	Lower handle arm assembly
15	1	<u>020363</u>	<u>Short link pin</u>				

When ordering parts, please show tool model, part number and name. All recommended spare parts are underlined and should be stocked.



MAINTENANCE

Inspect tool daily for worn or broken parts and replace if necessary. Clean and apply light machine oil to all moving parts - weekly.

WARNING

Inspect all parts daily and replace them if they are worn or broken. Failure to do this can affect a product's operation and could result in serious personal injury.