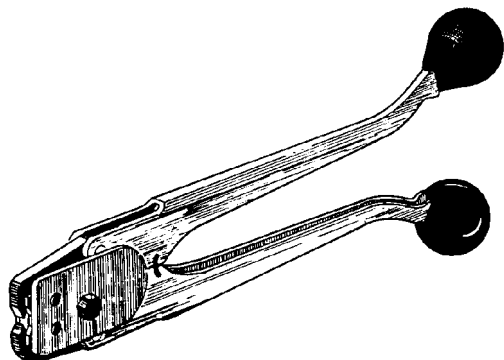


OPERATION, PARTS AND SAFETY MANUAL

DSR MANUAL SEALERS

DSR103 (306140) • DSR104 (306150) • DSR105 (306160) • DSR106 (306170)



TOOL SPECIFICATIONS

MODEL (Part No.)	STRAP			SEALS
	TYPE	WIDTH	THICKNESS	
DSR103 (306140)	Regular Duty	3/8"	Up to .020	34pb
DSR104 (306150)	Reg. Duty, High Tensile	1/2"	Up to .023	44pb
DSR105 (306160)	Reg. Duty, High Tensile	5/8"	Up to .023	54pb
DSR106 (306170)	Reg. Duty, High Tensile	3/4"	Up to .023	62pbh

GENERAL SAFETY CONSIDERATIONS

1. EYE INJURY HAZARD.

Failure to wear safety glasses with side shields can result in severe eye injury or blindness. Always wear safety glasses with side shields which conform to ANSI Standard Z87.1.

2. STRAP BREAKAGE HAZARD.

Improper operation of the tool or sharp corners on the load can result in strap breakage during tensioning, which could result in the following:

- A sudden loss of balance causing you to fall.
- Both tool and strap flying violently towards your face.

Failure to place the strap properly around the load or on an unstable or shifted load could result in a sudden loss of strap tension during tensioning. This could result in a sudden loss of balance causing you to fall.

Read the tools operating instructions. If the load corners are sharp use edge protectors. Place the strap correctly around a properly positioned load.

Positioning yourself in-line with the strap, during tensioning and sealing, can result in severe personal injury from flying strap or tool.

When tensioning or sealing, position yourself to one side of the strap and keep all bystanders away.

3. FALL HAZARD.

Maintaining improper footing and/or balance when operating the tool can cause you to fall. Do not use the tool when you are in an awkward position.

4. CUT HAZARD.

Handling strap or sharp parts could result in cut hands or fingers. Wear protective gloves.

5. TRAINING.

This tool must not be used by persons not properly trained in their use. Be certain that you receive proper training from your employer. If you have any questions contact your Acme Representative.

6. TOOL CARE.

Take good care of the tool. Inspect and clean it daily, lubricate it weekly and adjust when necessary. Replace any worn or broken parts.

7. WORK AREA.

Keep work areas uncluttered and well lighted.

OPERATING INSTRUCTIONS

1. Fully open the sealer handles and center the open jaws on the seal. See Figure 1.
2. Bring the sealer handles together completely together to assure a proper notch. See Figure 2.
3. Remove the sealer and bend the loose strap sharply back on the seal. Several additional bends will result in a clean strap break-off.

NOTE: If the gauge of the strap being used will not allow it to be bent, cut the strap supply as close to the seal as possible using an approved strap cutter.

4. To avoid contact with the sharp end of the strap, retract the strap end back into the strap dispenser.

FIGURE 1.

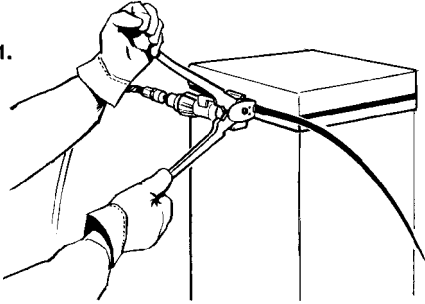
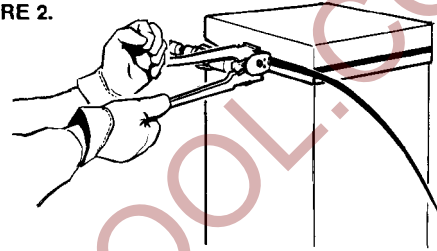


FIGURE 2.

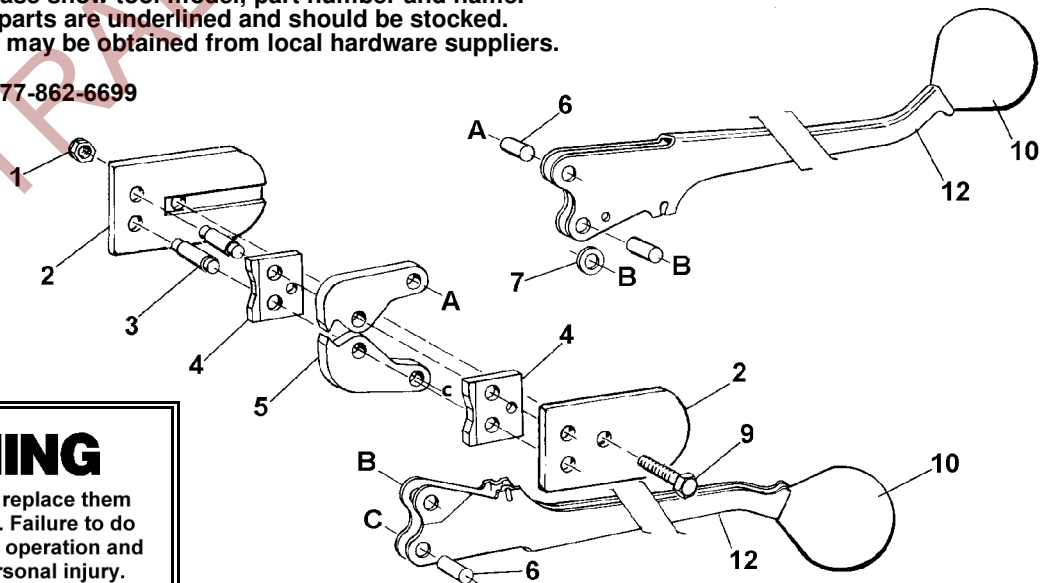


PARTS LIST

KEY	QTY.	DSR103 PART#	DSR104 PART#	DSR105 PART#	DSR106 PART#	DESCRIPTION
1	1	<u>004526</u>	<u>004526</u>	<u>004526</u>	<u>004526</u>	Flexloc nut, thin 1/4-28
2	2	<u>273967</u>	<u>273967</u>	<u>273968</u>	<u>273969</u>	Side plate
3	2	<u>008619</u>	<u>008619</u>	<u>008619</u>	<u>008619</u>	Jaw pin
4	2	<u>008649</u>	<u>008644</u>	<u>008646</u>	<u>008641</u>	Stationary notcher
5	2	<u>008643</u>	<u>008639</u>	<u>008639</u>	<u>008642</u>	Jaw
6	2	<u>008627</u>	<u>008627</u>	<u>008627</u>	<u>008627</u>	Tie pin
7	1	<u>007492</u>	<u>007492</u>	<u>007492</u>	<u>007492</u>	Spacer washer, 1/4 std. SAE
8	1	<u>273972</u>	<u>273972</u>	<u>273972</u>	<u>273972</u>	Guide pin
9	1	<u>008621</u>	<u>008621</u>	<u>008621</u>	<u>008621</u>	Hex head cap screw, 1/4-28 x 1
10	2	306103	306103	306103	306103	Knob, (press-on)
11	1	003133	003133	003133	003133	Caution plate
12	2	306104	306104	306104	306104	Sealer handle assembly

- When ordering parts, please show tool model, part number and name.
- All recommended spare parts are underlined and should be stocked.
- Standard hardware parts may be obtained from local hardware suppliers.

For Parts Support Call 1-877-862-6699



WARNING

Inspect all parts daily and replace them if they are worn or broken. Failure to do this can affect a product's operation and could result in serious personal injury.