

DTF-76 MANUAL TENSIONER

GENERAL SAFETY CONSIDERATIONS

1. **EYE INJURY HAZARD.**
 Failure to wear safety glasses with side shields can result in severe eye injury or blindness. Always wear safety glasses with side shields which conform to ANSI Standard Z87.1.
2. **STRAP BREAKAGE HAZARD.**
 Improper operation of the tool or sharp corners on the load can result in strap breakage during tensioning, which could result in the following:
 - A sudden loss of balance causing you to fall.
 - Both tool and strap flying violently towards your face.

Failure to place the strap properly around the load or on an unstable or shifted load could result in a sudden loss of strap tension during tensioning. This could result in a sudden loss of balance causing you to fall.

Read the tools operating instructions. If the load corners are sharp use edge protectors. Place the strap correctly around a properly positioned load.

Positioning yourself in-line with the strap, during tensioning and sealing, can result in severe personal injury from flying strap or tool. When tensioning or sealing, position yourself to one side of the strap and keep all bystanders away.
3. **FALL HAZARD.**
 Maintaining improper footing and/or balance when operating the tool can cause you to fall. Do not use the tool when you are in an awkward position.
4. **CUT HAZARD.**
 Handling strap or sharp parts could result in cut hands or fingers. Wear protective gloves.
5. **TRAINING.**
 This tool must not be used by persons not properly trained in their use. Be certain that you receive proper training from your employer. If you have any questions contact your Acme Representative.
6. **TOOL CARE.**
 Take good care of the tool. Inspect and clean it daily, lubricate it weekly and adjust when necessary. Replace any worn or broken parts.
7. **WORK AREA.**
 Keep work areas uncluttered and well lighted.

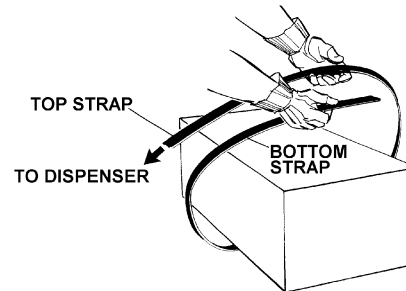
STRAP SPECIFICATIONS

Width: 5/8" to 3/4" Steel
 Gauge: Up to .035" Thick

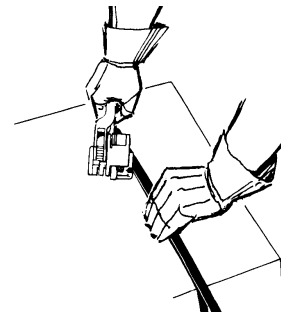


OPERATING INSTRUCTIONS

1. Drape strapping around the container as illustrated. Take up slack, keeping straps squarely in line.

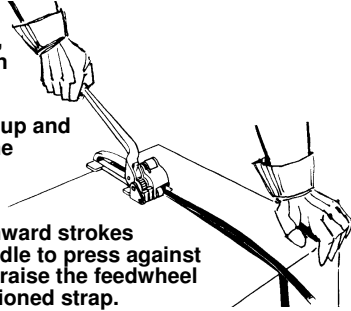


2. While standing to one side of the strap line, hold the hand tensioned strap in position with your left hand, grasp the tool in your right hand and squeeze the handle to the base, thus, lifting the feedwheel. Position the rear foot over the strap and then slide the front foot under the overlapping ends approximately 1" ahead of the lower strap end.



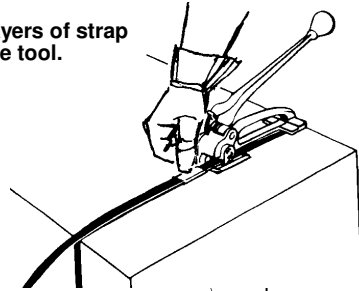
OPERATING INSTRUCTIONS, Continued

3. Release grip on tool to engage strapping, being sure strap is in alignment with tool. Tension is obtained through continuous up and down motion with the handle.

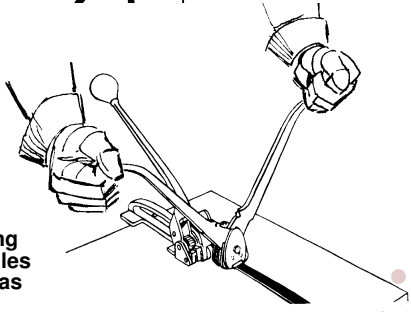


WARNING: On downward strokes do not allow the handle to press against the base as this will raise the feedwheel and release the tensioned strap.

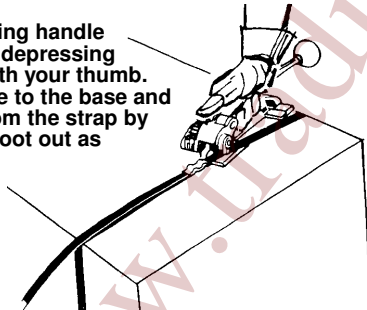
4. Snap seal on both layers of strap directly in front of the tool.



5. Hold the sealing tool at a right angle to the strap, resting it squarely over the seal. Seal the tensioned strap by bringing the sealer handles together as far as they will go.



6. Return the tensioning handle to rest on the tool, depressing the handle pawl with your thumb. Squeeze the handle to the base and remove the tool from the strap by swinging the rear foot out as illustrated.



7. Carefully bend the excess strap sharply back on the seal. If the excess strap is loose (not connected to a dispenser) hold down on the loose end of strap to prevent personal injury. Additional bends will result in a clean strap break off.

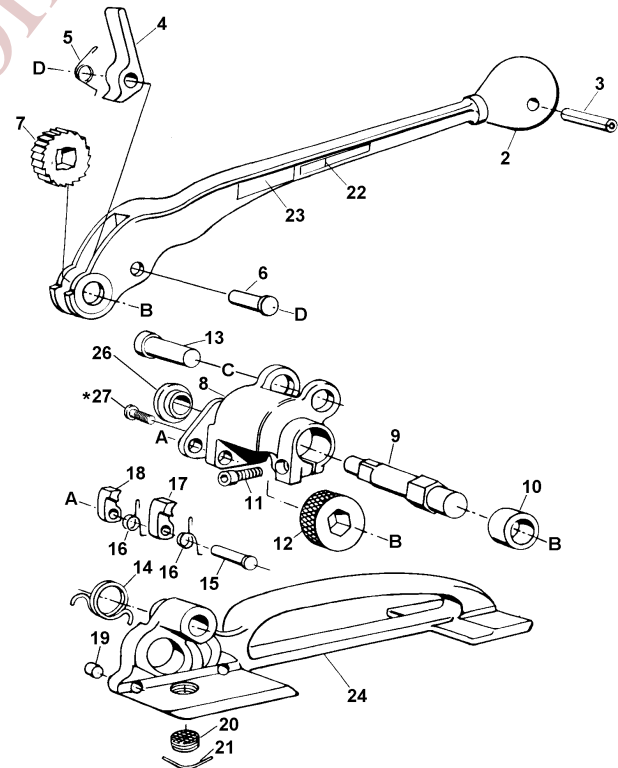


PARTS LIST

KEY	QTY.	PART#	DESCRIPTION
1	1	306129	Handle
2	1	306231	Knob & roll pin
3	1	010057	Roll pin
4	1	003462	Handle pawl
5	1	003467	Handle pawl spring
6	1	003464	Handle pawl pin
7	1	003458	Ratchet gear
8	1	306128	Feedwheel support
9	1	003457	Feedwheel shaft
10	1	003478	Bearing
11	1	004502	Cap screw #10-32 x 5/8
12	1	003452	Feedwheel
13	1	003461	Feedwheel support pin
14	1	003459	Feedwheel support spring
15	1	003456	Retaining pawl pin
16	2	003483	Retaining pawl spring
17	1	003454	Long retaining pawl
18	1	003455	Short retaining pawl
19	2	001656	Strap guide pin
20	1	273748	Clutch plug
21	1	001644	Lock wire
22	1	003133	Danger sign
23	1	306237	Nameplate
24	1	306127	Base
26	1	424250	Bushing
27	1	424251	BHCS, 1/4-28 x 1/4

When ordering parts, please show tool model, part number and name. All recommended spare parts are underlined and should be stocked. Standard hardware parts may be obtained from local hardware suppliers.

* Apply one drop of Loctite #271 (Red) or equivalent.



WARNING

Inspect all parts daily and replace them if they are worn or broken. Failure to do this can affect a product's operation and could result in serious personal injury.