

FROMM

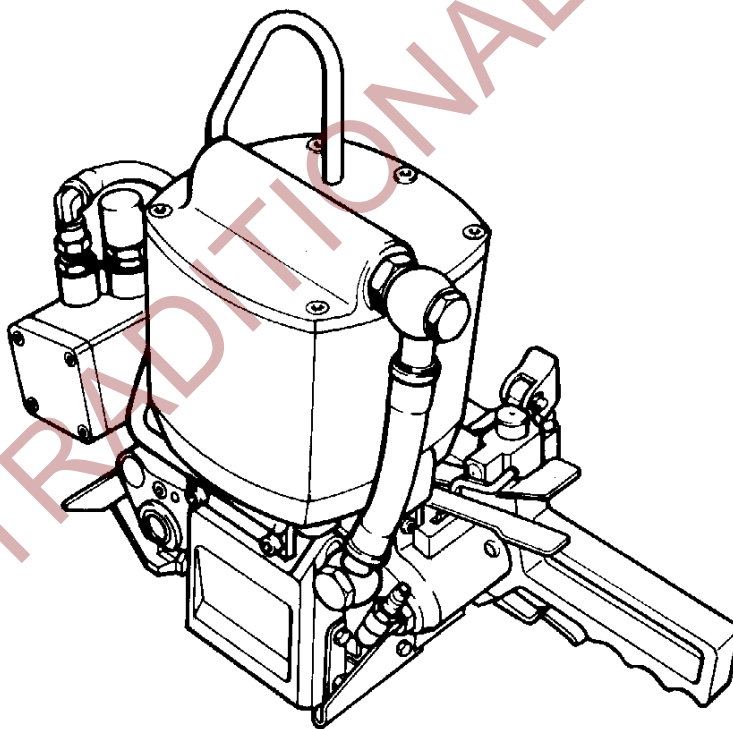
OPERATION MANUAL / SPARE PARTS LIST

PNEUMATIC STEEL

STRAPPING TOOL

MODEL A383.0001

13.6750.01



CE Declaration of conformity

We declare that the machine A383 is in conformity with the following standard or standardised documents:

98/37/EEC

FROMM Holding AG
Hinterbergstrasse 26
CH - 6330 Cham
27.03 2001

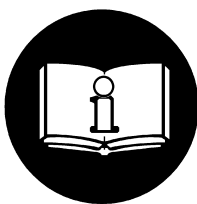
R.Fromm
Director



	INDEX	PAGE
1	SAFETY INSTRUCTIONS	3
2	WARRANTY CONDITIONS AND LIABILITY	4
3	APPROPRIATE USE	4
4	CHART OF TYPES	4
5	TECNICAL DATA	5
6	INSTALLATION	6
7	OPERATING CONTROLS	7
8	OPERATION	7
8.1	Feeding the strap around the package	7
8.2	Loading the strap	7
8.3	Tensioning the strap	8
8.4	Sealing the strap	8
8.5	Removing the tool from the tensioned strap	8
9	SEAL CONTROL	9
10	SEAL ADJUSTMENT	10
11	MAINTENANCE	11
11.1	Air-unit	11
11.2	Oil level in the pressure intensifier	11
11.3	Cleaning	12
11.4	Lubrication	12
12	Exchange of wearing parts	12
12.1	Exchange of punch and die halves	12
12.2	Exchange of the feed wheel	13
12.3	Exchange of the gripper	13
12.4	Exchange of cutter	14
13	CONTROL SYSTEM	15
13.1	Pneumatic schematic A383.0001	15
13.2	Details of the control system	16
14	Functional characteristics	17
14.1	Adjustments	18
15	SPARE PARTS LIST 13.6750.01	19

1 SAFETY INSTRUCTIONS

Read these instructions carefully. Failure to follow these instructions can result in severe personal injury.



Eye injury hazard

Failure to wear safety glasses with side shields can result in severe eye injury or blindness. Always wear safety glasses with side shields which conform to ANSI Standard Z87.1.



Operation

Tool must not be used by persons not properly trained in their use. Before tensioning strap, read and understand the tool operating instructions. Failure to follow the operating instructions or improper load positioning could result in strap breakage. Become familiar with your tool and keep fingers away from areas that can pinch or cut.

Joints

You are fully responsible to review the joints made by your tool. Become familiar with the seal control and seal adjustment described in this operation manual. Misformed joints may not secure the load and could cause serious injury. Never handle or ship any load with improperly formed joints.

Dispensing strap

Only dispense strap from a dispenser specifically designed for strap. Tuck strap end back into dispenser when not in use.

Protective gloves

When handling strap, always wear protective gloves.



Strap warnings

Never use strap as a means of pulling or lifting loads. Failure to follow these warnings can result in severe personal injury.

Strap breakage hazard

Improper operation of the tool, excessive tensioning, using strap not recommended for this tool or sharp corners on the load can result in a sudden loss of strap tension or in strap breakage during tensioning, which could result in the following:

- A sudden loss of balance causing you to fall.
- Both tool and strap flying violently towards your face.

Note as follows:

- If the load corners are sharp, use edge protectors.
- Place the strap correctly around a properly positioned load.
- Positioning yourself in-line with the strap, during tensioning and sealing, can result in severe personal injury from flying strap or tool. When tensioning or sealing, position yourself to one side of the strap and keep all bystanders away.
- Use the correct strap quality, strap width, strap gauge and strap tensile strength recommended in this manual for your tool. Using strap not recommended for this tool can result in strap breakage during tensioning.

Cutting tensioned strap

When cutting strapping, use the proper strapping cutter and keep other personnel and yourself at a safe distance from the strap. Always stand to side of the strap, away from the direction the loosened strap end will fly. Use only cutters designed for strap and never hammers, pliers, hacksaws, axes, etc.

Fall hazard

Keep your working area tidy. Untidiness of your working area may cause a risk of injury. Maintaining improper footing and/or balance when operating the tool can cause you to fall. Before tensioning and especially in elevated areas, always establish good balance. Both feet should be securely placed on a flat, solid surface, especially when working in elevated areas. Do not use the tool when you are in an awkward position.

Pay attention to the rules and regulations for preventions of accident which are valid for the work place.

Tool hazards

A well maintained tool is a safe tool!

Check tool regularly for broken or worn parts. Do not operate a tool with broken or worn parts.

Never modify any tool. Modification can result in severe bodily injury.

2 WARRANTY CONDITIONS AND LIABILITY

FROMM Holding AG warrants all its strapping tools and machine heads during a period of 24 months from the date of installation at the end-user's sight by the distributor, however, not later than 30 months from the date of shipment to the distributor of FROMM Holding AG.

The warranty includes all deficiencies clearly resulting from poor manufacturing or faulty materials. Damage claims as a result of production shutdowns and claims for damage to persons and to property resulting from warranty deficiencies cannot be asserted by the customer.

The warranty excludes:

- wearing parts,
- deficiencies resulting from improper installing, incorrect handling and maintaining the tool,
- deficiencies resulting from using the tool without or with defective security- and safety devices,
- disregard of directions in the operation manual,
- arbitrary modifications of the tool,
- deficient control of wearing parts,
- deficient repair works of the tool.
- Use of consumable products not recommended by FROMM Holding AG

We reserve the right to modify the product at any time in order to improve its quality.

3 APPROPRIATE USE

The tool model A383 has been designed to strap packages with steel strapping exclusively.

The warranty / liability excludes:

- non appropriate use of the tool,
- disregard of directions in the operation manual,
- disregard of control- and maintenance instructions.

4 CHART OF TYPES

Item No.	Model	Strap width	Strap thickness		Max. tension	
			Uniflex	Ultraflex	kN	lbs.
13.6702	A383/19/150/0.80-0.90	19 mm / 3/4"	-	0.8 - 0.9mm/.031 - .035"	15	3360
13.6710	A383/25/100/0.80-0.90	25 mm / 1"	0.8 - 0.9mm/.031 - .035"	0.8 - 0.9mm/.031 - .035"	10	2240
13.6720	A383/25/150/0.80-0.90	25 mm / 1"	0.8 - 0.9mm/.031 - .035"	0.8 - 0.9mm/.031 - .035"	15	3360
13.6730	A383/25/150/1.0	25 mm / 1"	1 mm / .040"	-	15	3360
13.6731	A383/25/150/1.3	25 mm / 1"	1.3 mm / .050"	-	15	3360
13.6739	A383/32/100/0.63	32 mm / 1 1/4"	-	0.63 mm / .025"	10	2240
13.6740	A383/32/100/0.80-0.90	32 mm / 1 1/4"	0.8 - 0.9mm/.031 - .035"	0.8 - 0.9mm/.031 - .035"	10	2240
13.6750	A383/32/150/0.80-0.90	32 mm / 1 1/4"	0.8 - 0.9mm/.031 - .035"	0.8 - 0.9mm/.031 - .035"	15	3360
13.6760	A383/32/150/1.0	32 mm / 1 1/4"	1 mm / .040"	-	15	3360

Uniflex = Strap with max. tensile strength of 850 N/mm² (123 000 psi)

Ultraflex = Strap with max. tensile strength of 1100 N/mm² (160 000 psi)

5 TECHNICAL DATA

Dimensions without suspension bracket

Length:	420 mm / 16.5"
Width:	195 mm / 7.6"
Height:	350 mm / 13.7"
Weight:	23.1 kg / 50.82 lbs

Sound information

The A-weighted equivalent continuous sound level at the work place of the machine operator is typical 78 dB (A).

This value was determined according to DIN 45 635 T3 (11.85).

Vibration information

The weighted effective value of the acceleration typically amounts to less than 2,5m/s².

This value was determined according to DIN EN 28 662 T1 (01.93).

Compressed air

Joining thread: G 1/4" min.

Max. air pressure: 6 bar / 87 psi.

Air consumption

Tensioning: 22 NI / 0.80 cu.ft uncompressed air per second with the air motor running.

Sealing: 12.3 NI / 0.44 cu.ft uncompressed air per cycle.

Steel strap

Width: 19 - 32 mm / 3/4" - 1 1/4" (see chart of types).

Thickness: 0.63 mm - 1.3 mm / .025" - .050" (see chart of types).

Quality: Fundamentally the A383 allows the use of all current steel straps ranging from 700 to 1100 N/mm² (100 000 - 159 500 psi) in tensile (see chart of types).
Strap with less than 600 N/mm² (87 000psi) in tensile is not suitable for the A383 tool.

6 INSTALLATION

Compressed air connection

The compressed air should be connected to the tool preferably by a quick disconnecter.

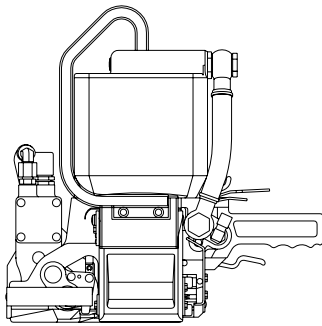
It is very important to clean the compressed air with an air unit consisting of a separator for water and dirt, a pressure regulator with a manometer and a lubricator.

The maximum length of the air tube between air unit and tool has to be 5 m / 15 ft.

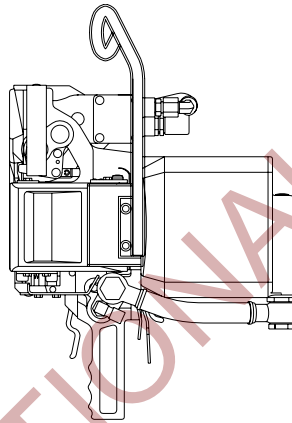
Suspension of tool

It is possible to suspend the tool on a balancer using one of the various suspension brackets available. Depending on the application of the tool the appropriate suspension bracket is mounted.

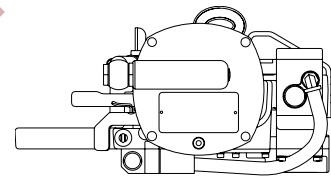
A38.2413 SUSPENSION UNIVERSAL (no picture)



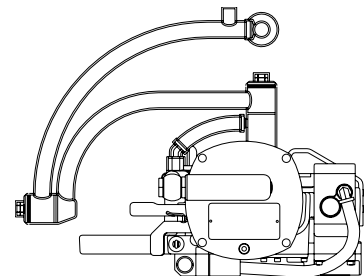
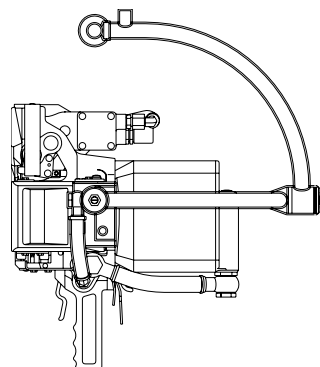
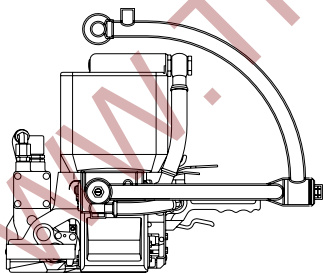
NORMAL
A38.2401



VERTICAL
A38.2404

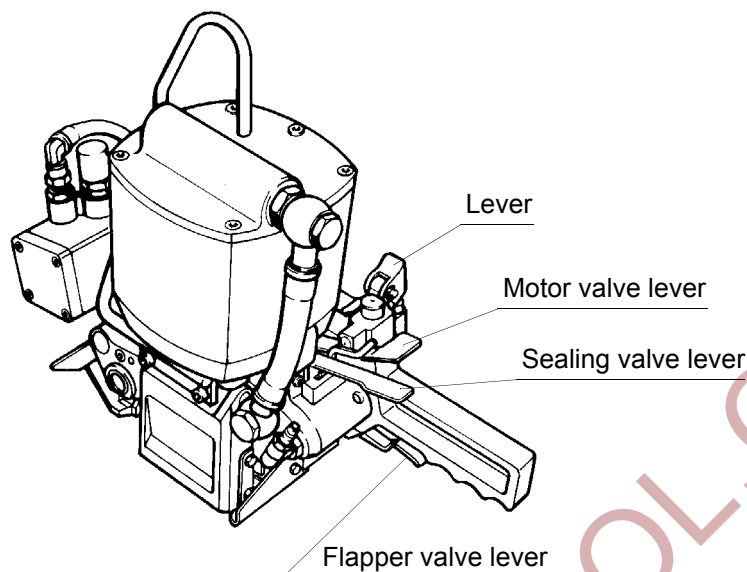


HORIZONTAL
A38.2407



NORMAL, VERTICAL, HORIZONTAL
incl. air supply
A38.2410

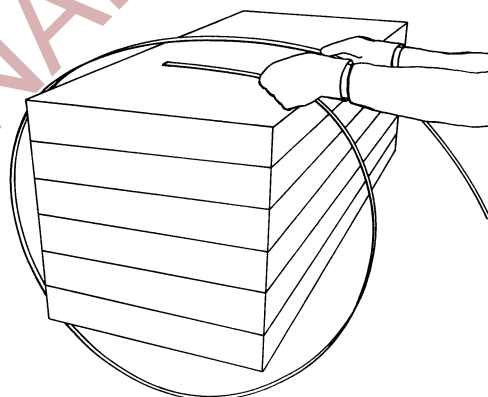
7 OPERATING CONTROLS



8 OPERATION

8.1 Feeding the strap around the package

The strap is fed around the package in the direction as shown in the illustration. The end of the strap is held tightly with the left hand and pulled firmly towards the operator with the right hand.



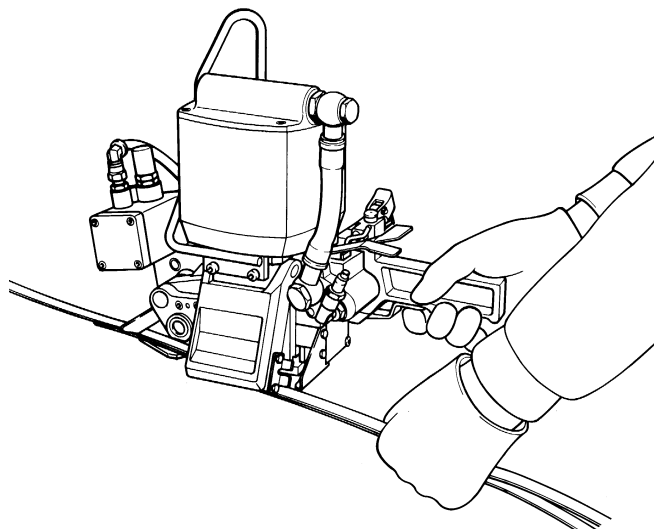
Always wear safety glasses with side shields which conform to ANSI Standard Z87.1.



When handling strap, always wear protective gloves.

8.2 Loading the strap

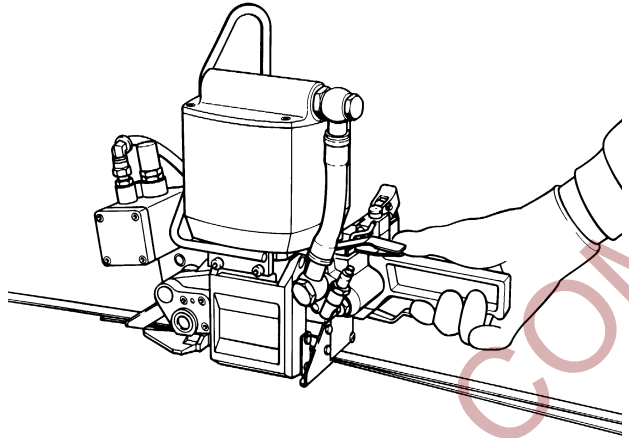
Lift and hold the flapper valve lever with the index finger of the right hand. The left hand inserts the two straps lying precisely upon another into the tool until they hit the strap stops. The lower strap end must slightly protrude the end of the base plate. Release the flapper valve lever - the flapper closes and the feed wheel is lowered to the strap.



8.3 Tensioning the strap

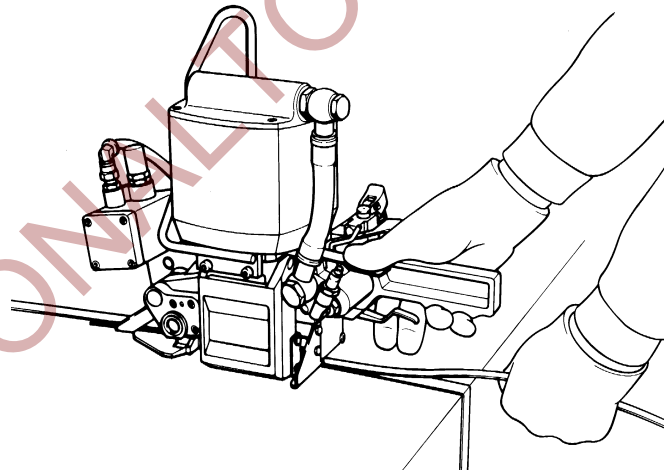
The motor valve lever is pressed down with the thumb of the right hand so that the catch locks. Let the tool tension until the motor stalls.

If the tensioning cycle has to be interrupted (faulty strapping, applying of corner protection angles) press the red lever.



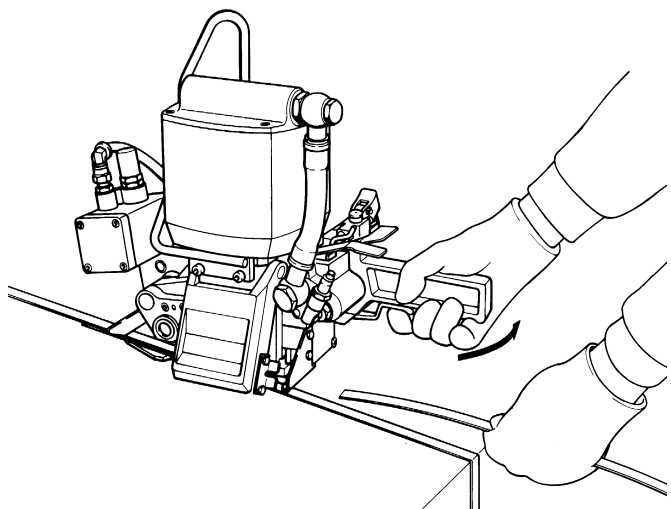
8.4 Sealing the strap

Hold the strap which is reeled off from the strap coil with the left hand. Press and hold down the sealing valve lever until the strap is cut off. Release the sealing valve lever.



8.5 Removing the tool from the tensioned strap

Hold the cut strap end firmly with your left hand. Lift the flapper valve lever with the right hand and push the tool hard to the right from the tensioned strap. Release the flapper valve lever.



9 SEAL CONTROL

A regular control of the seal is necessary. The seal can be checked visually and the person controlling can easily judge the quality of the seal. When checking the seal the following illustrations must be compared.

Correct seal

A correct seal must conform to the illustration. This means that the depth with which the upper strap hooks into the lower one must be 1 - 1.5 mm in min. and 2 mm in max.. The upper strap must be sheared clean and the cutter must not leave scratch marks on the lower strap.



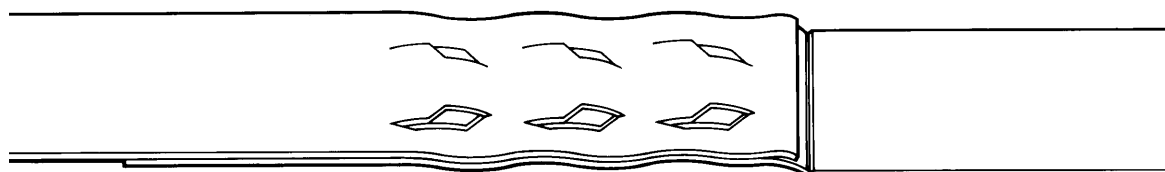
Incorrect seal (the sealing mechanism is adjusted too high)

This stamped seal is not deep enough and the upper strap is not sheared. The tensile strength of this seal is not sufficient and the strapping must be taken away from the package. The tool must be readjusted immediately (see SEAL ADJUSTMENT).



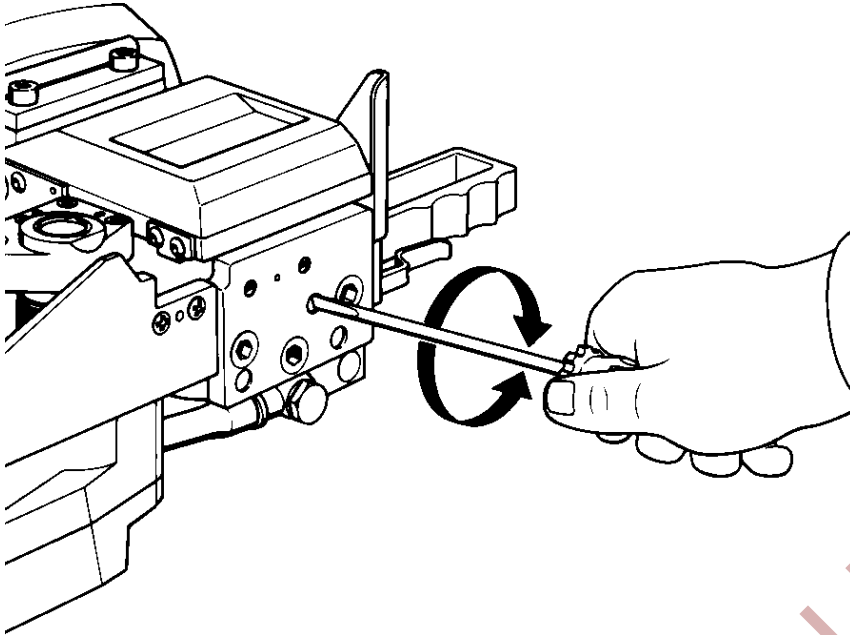
Incorrect seal (the sealing mechanism is adjusted too low)

This stamped seal is too deep and the lower strap is scratched by the cutter. Although the tensile strength of this seal is sufficient the strapping must be taken away from the package because of the scratched lower strap. The tool must be readjusted immediately (see SEAL ADJUSTMENT).



10 SEAL ADJUSTMENT

The depth of the sealing mechanism and the cutter can be steplessly adjusted by turning the adjusting screw with a screw driver.



Sealing depth is excessive

Turn adjusting screw clockwise. A turn of 90° equals a stroke correction of 0.25 mm/.010".

Sealing depth is insufficient

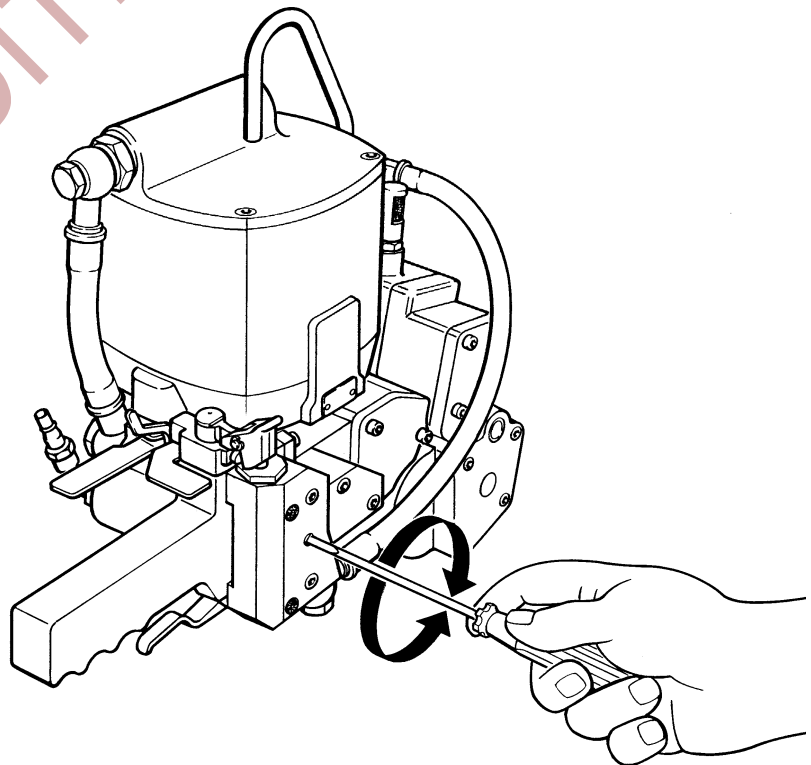
Turn adjusting screw counter-clockwise. A turn of 90° equals a stroke correction of 0.25 mm/.010".

If low gauge and soft straps are used the sealless joint is not always properly formed (the straps do not interlock properly). In order to avoid improper interlocking the timing of the interlock can be influenced by the adjustment of a throttle on the control valve body.

Under normal conditions the holding air throttle is screwed flush into the outside of the control valve body. If the straps do not interlock properly (one or two notches do not interlock at all) the throttle has to be turned in a clockwise direction.

Attention!

Adjust holding air throttle in such a way that no tension marks on the bottom of the seal caused by the punch will be noticed. If marks are noticed the punch might wear prematurely.



11 MAINTENANCE

Depending on the working conditions and the use of the tool the following maintenance has to be made periodically:

11.1 Air-unit

- Checking the air pressure daily.
- Checking the oil-level daily.
- The water separator must be emptied before it is full (unless automatic).
- The filter has to be cleaned following the instructions of the manufacturer of the air- unit.

Oil for the air-unit

HL or CL ISO-VG 10

11.2 Oil level in the pressure intensifier

Control

A proper operation of the tool is only warranted if there is the correct amount of oil in the pressure intensifier. The position of the piston in its idle position reveals whether there is enough, too much or not enough oil in the pressure intensifier. A flawless operation of the tool is guaranteed only if the amount of oil in the pressure intensifier is correct!

If there is too much oil in the pressure intensifier the position of the piston in its idle position is lower than the lower edge of the body (visible when flapper is open). As a result of this faulty position of the piston there is not enough space for the straps and the seal joint resp; it is difficult or impossible to insert the straps into the tool and to remove them from the tool resp..

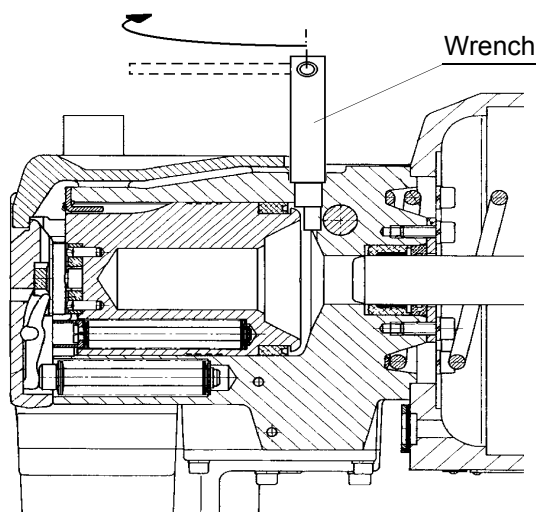
If there is not enough oil in the pressure intensifier the position of the piston in its idle position is higher than the lower edge of the body (visible when the flapper is open). As a result of this faulty position of the piston there is a risk that the stroke of the piston during the sealing action is too short and consequently the seal joint is not formed properly and the upper strap is not cut entirely in spite of the correct adjustment of the adjusting screw resp..

Oil for the pressure intensifier in the tool

SAE 10W-20 (for refilling)

Refilling of oil into the pressure intensifier

- Turn tool with flapper in an upward position. Remove sealing screw.
- Introduce wrench (N7.3250) into boring with valve handle being parallel to the toggle, turn toggle by 90° (thus the sealing piston is moved into its correct position).
- Turn back the wrench and remove it.
- Fill in oil of type SAE 10W-20 and let escape air bubbles. Screw in sealing screw again and tighten it.
- Check the position of the sealing piston as per afore mentioned instructions.



11.3 Cleaning

If impact of dirt and dust is considerable and if painted straps are used the feed wheel must be cleaned regularly. Normally it is sufficient to blow out this part by using an air gun.

11.4 Lubrication

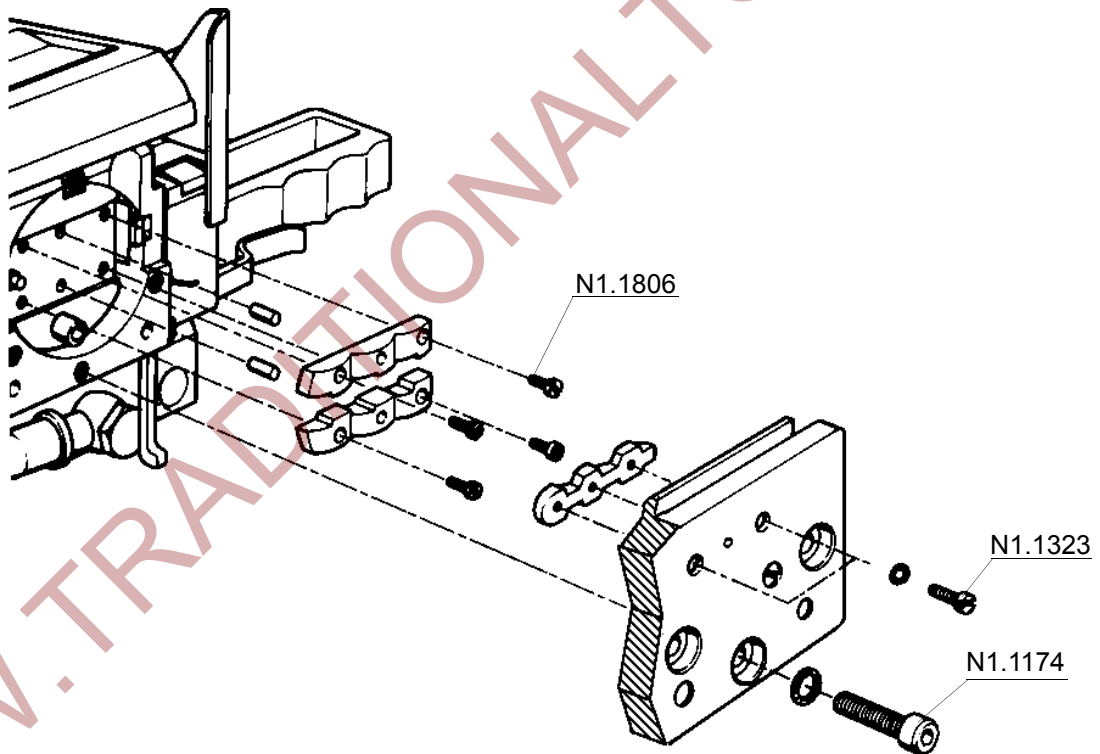
The gear is filled with MOLYKOTE BR 2 PLUS. Use the same type of grease after repairs. When being exchanged, all valve parts and other movable parts have to be greased with grease of type Mobilux EP2 or with any equivalent product.

12 Exchange of wearing parts

12.1 Exchange of punch and die halves

If in spite of a correct adjustment of the adjusting screw it is no longer possible to make a proper seal (see seal control) the base plate must be removed and the wear of the punch and the die halves must be examined.

If the cutting edges are destroyed or worn heavily (attention! the cutting edges of new punches and dies are also rounded slightly) the corresponding parts must be replaced.



Important!

Make sure that the mounting surfaces are completely free from dirt before the new parts are installed.

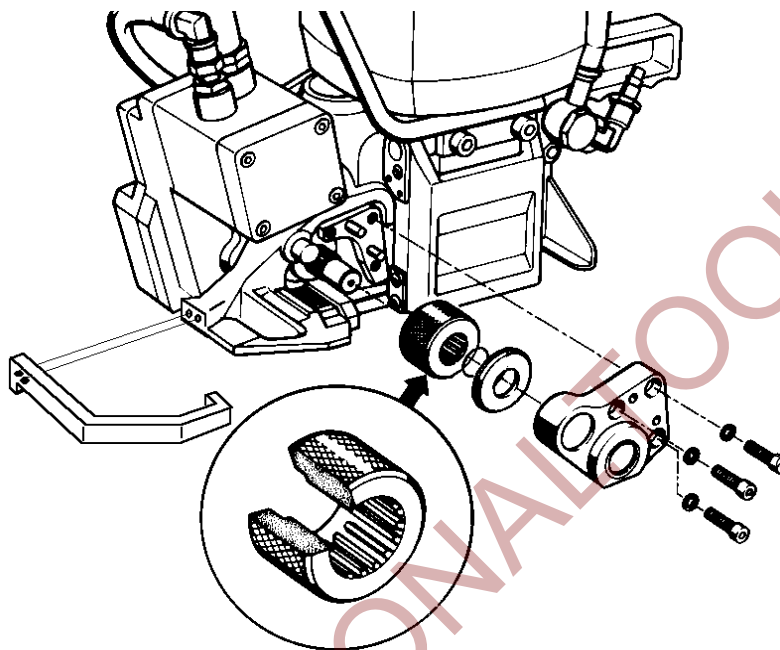
After assembling the base plate, the base plate screws must be tightened using a torque wrench with a torque of 90 Nm.

The screws N1.1323 und N1.1806 have to be secured with Loctite 222.

12.2 Exchange of the feed wheel

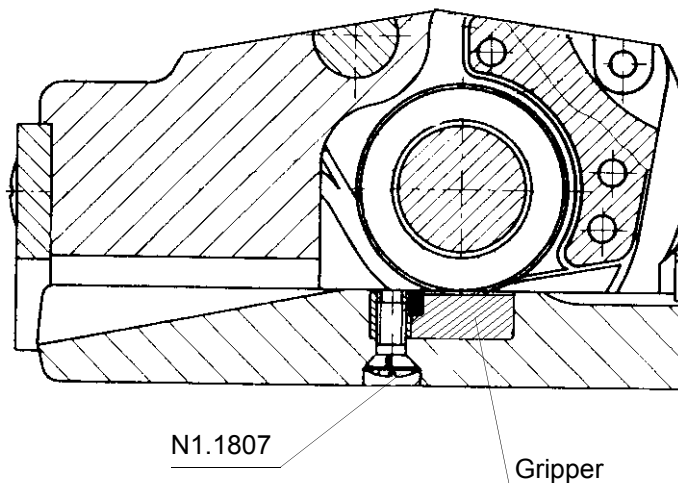
- Remove the left strap stop
- Unscrew the three screws and remove the bearing cover.
- Remove the front distance ring, the O-ring and the feed wheel from the feed wheel shaft.
- Assembling in opposite order.

Important! Take notice of the assembling position of the feed wheel.



12.3 Exchange of the gripper

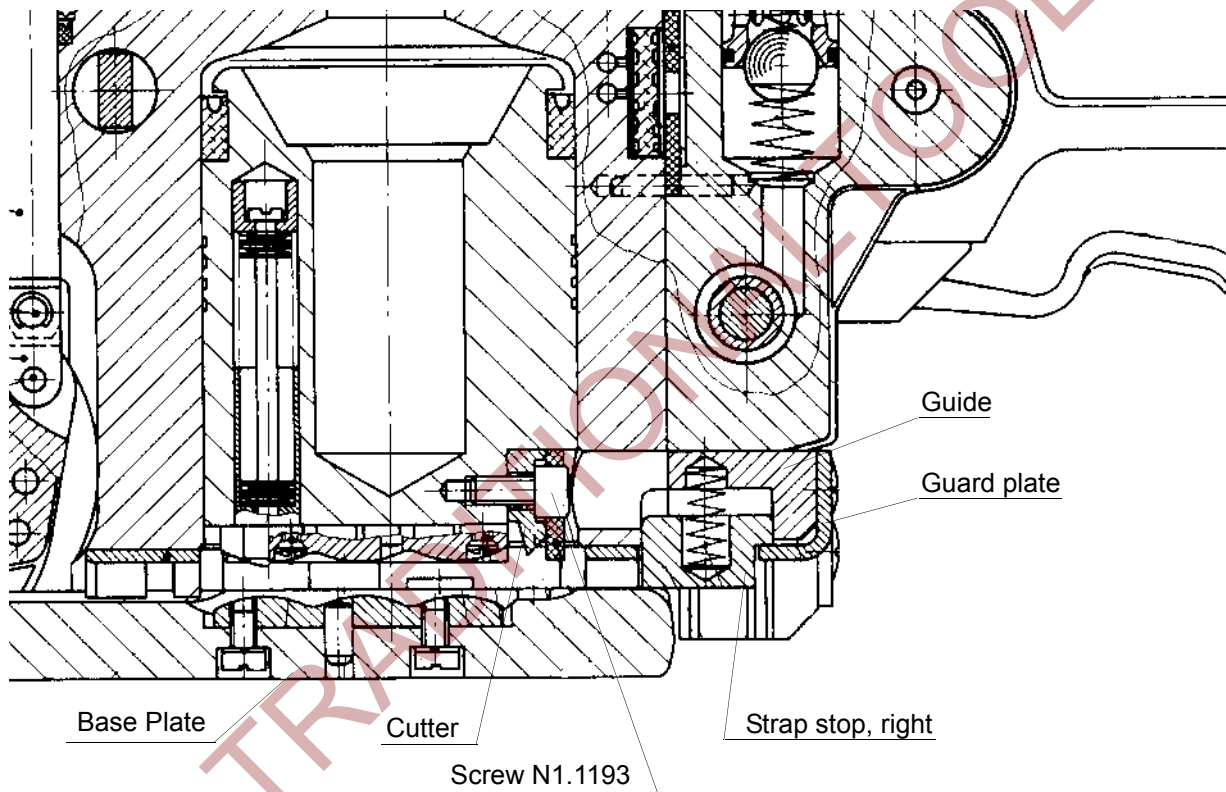
- Remove the left strap stop and the bearing cover.
- Remove the front distance ring, the O-ring and the feed wheel from the feed wheel shaft.
- Remove cross-recess screw and holder so that the gripper can be removed.
- Clean the groove and firmly retighten the holder after insertion of the new gripper.
- Assembling in opposite order.



Important! The screw N1.1807 has to be secured with Loctite 222.

12.4 Exchange of cutter

- Remove base plate, guard plate with guide and right strap stop.
- Using a hexagon socket spinner wrench to unscrew and remove cutter screw M6 x 12 across the appropriate boring in the sealing body.
- Replace cutter.
- Assemble in the opposite order.



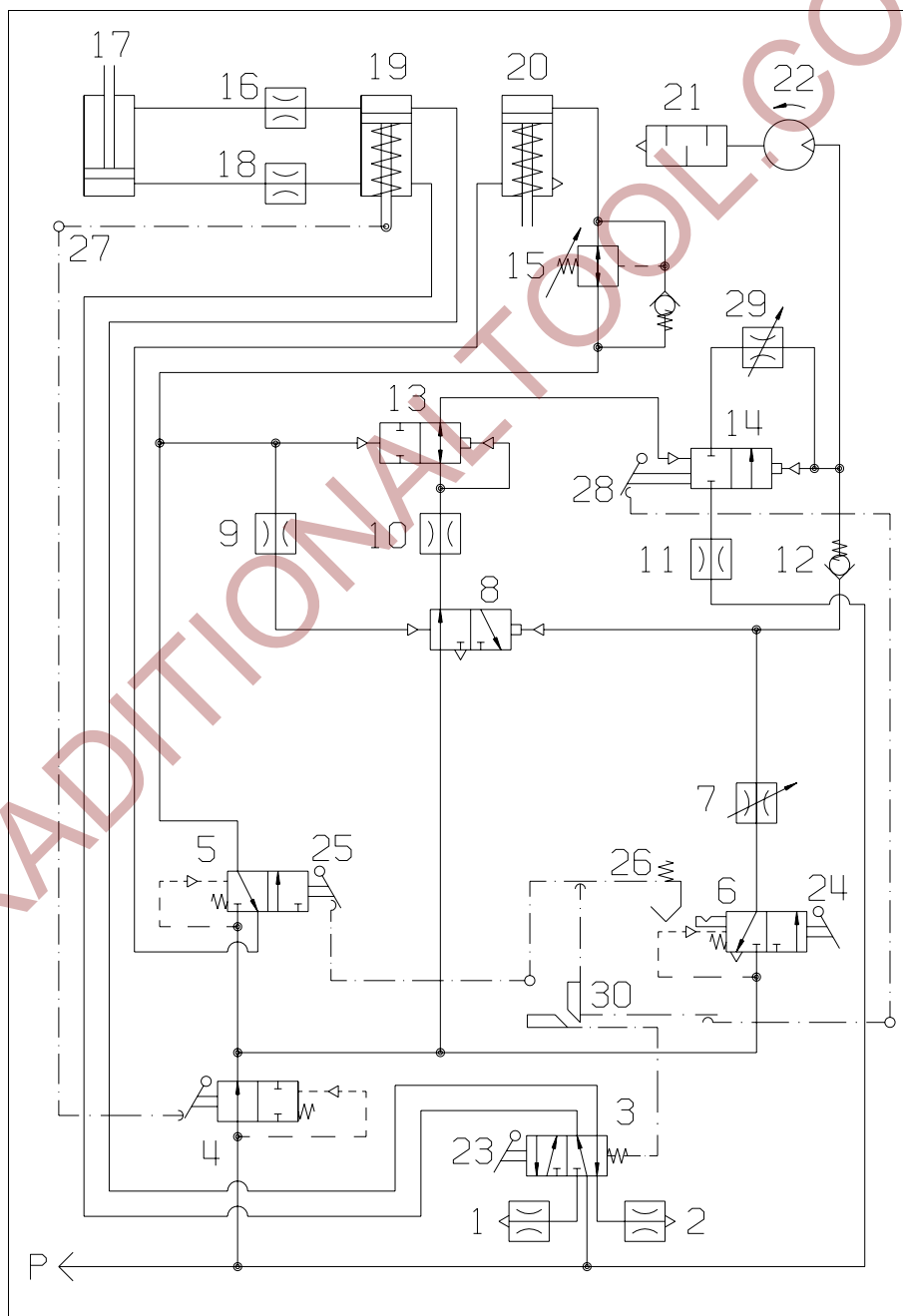
Important! The screw N1.1193 has to be secured with Loctite 222.

13 CONTROL SYSTEM

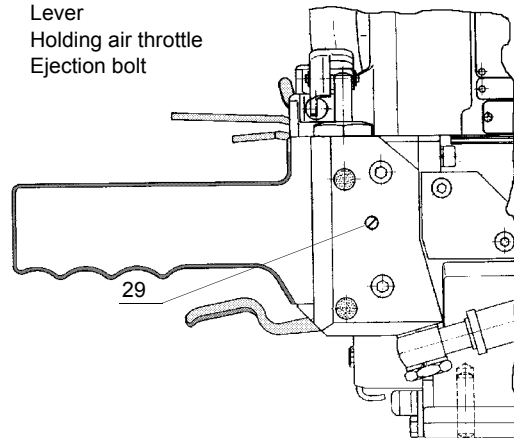
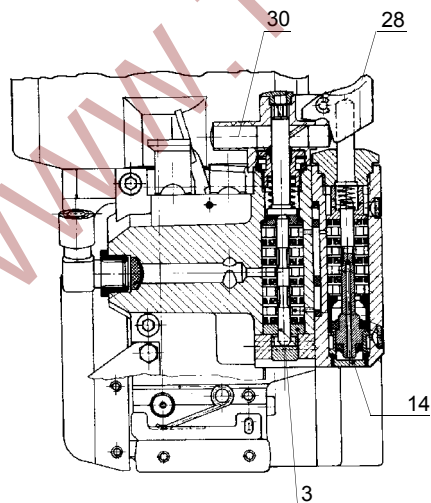
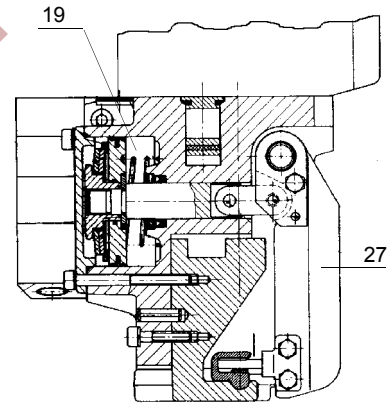
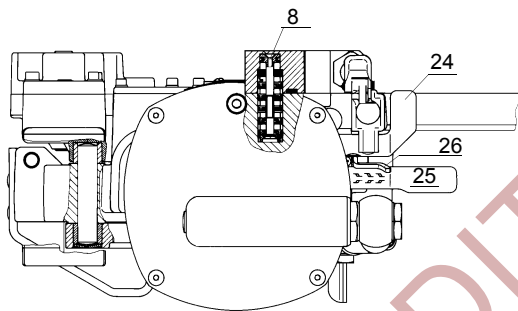
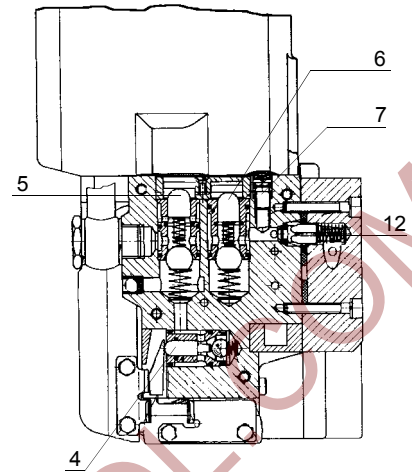
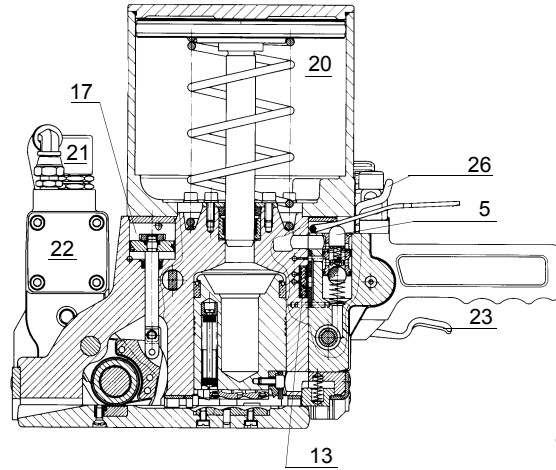
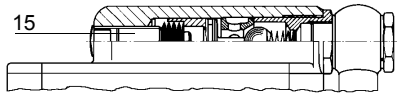
13.1 Pneumatic schematic A383.0001

POS. DESCRIPTION

- 1 Throttle 1,2
- 2 Throttle 1,2
- 3 Flapper valve
- 4 Flapper security valve
- 5 Sealing valve
- 6 Motor valve
- 7 Throttle valve
- 8 Pilot valve
- 9 Throttle
- 10 Throttle 1,8
- 11 Holding air throttle 2,0
- 12 Non-return valve
- 13 Diaphragm
- 14 Holding air valve
- 15 Air-pressure-reduction-valve
- 16 Throttle 1,2
- 17 Rocker cylinder
- 18 Throttle 1,2
- 19 Flapper cylinder
- 20 Sealing cylinder
- 21 Muffler
- 22 Air Motor
- 23 Flapper valve lever
- 24 Motor valve lever
- 25 Sealing valve lever
- 26 Catch
- 27 Flapper
- 28 Lever
- 29 Holding air throttle
- 30 Ejection bolt



13.2 Details of the control system



POS.	DESCRIPTION
1	Throttle 1,2
2	Throttle 1,2
3	Flapper valve
4	Flapper security valve
5	Sealing valve
6	Motor valve
7	Throttle valve
8	Pilot valve
9	Throttle
10	Throttle 1,8
11	Holding air throttle 2,0
12	Non-return valve
13	Diaphragm
14	Holding air valve
15	Air-pressure-reduction-valve
16	Throttle 1,2
17	Rocker cylinder
18	Throttle 1,2
19	Flapper cylinder
20	Sealing cylinder
21	Muffler
22	Air Motor
23	Flapper valve lever
24	Motor valve lever
25	Sealing valve lever
26	Catch
27	Flapper
28	Lever
29	Holding air throttle
30	Ejection bolt

14 Functional characteristics

Idle position

Because of the connection of the tool to the compressed air-net (connection P) compressed air flows through flapper valve 3 to the flapper cylinder 19 and rocker cylinder 17.

As a result of this air-flow, the closing force of the spring of the flapper cylinder 19 is supported by compressed air on the one hand (flapper closed) and the feed-wheel is lowered to the gripper on the other hand.

The closed flapper 27 holds open flapper security valve 4. Flapper security valve 4 opens the line to sealing valve 5 and motor valve 6 (both closed) and also to pilot valve 8, throttle 10, diaphragm 13 and holding air valve 14.

As a result, holding air valve 14 is kept closed. Compressed air is also conducted to the holding air throttle 11 directly from the main connection and stops at the closed holding air valve 14.

Inserting the strap

To insert the strap, the flapper valve lever 23 of the flapper valve 3 is lifted. The valve switches, the flapper cylinder 19 opens the flapper 27 and the rocker cylinder 17 lifts the feed wheel.

After inserting the strap, the flapper valve lever 23 is released again; flapper valve 3 and both cylinders 17 and 19 stay again in their idle position. The throttles 1, 2, 16 and 18 avoid jerking motions.

Tensioning

By pressing down the motor valve lever 24 the motor valve 6 is commuted and catches in an open position. Compressed air now flows from connection P through the flapper security valve 4 and motor valve 6, the adjustable throttle valve 7 and through the non-return valve 12 to the air motor 22 and drives the latter.

The used air leaves the air motor through the muffler 21. At the same time also the control pistons of the pilot valve 8 and the holding air valve 14 are admitted with pressure from the right.

The left control side of the holding air valve 14 is deaerated through pilot valve 8 and the holding air valve 14 opens the opening area from the holding air throttle 11 through the adjustable holding air throttle to the air motor 22.

This state remains unchanged until the air motor 22 stalls (through overcharge). If the tensioning cycle has to be interrupted the blocking of the motor valve 6 must be suspended (press down lever 28).

Because of this the catch 26 is hooked out through the ejection bolt 30. At the same time the holding air valve 14 is closed so that the air motor 22 stalls.

Remark: If the strap is not transported after pressing the motor valve lever the procedure "Inserting the strap" has to be done again. By pressing the flapper valve lever 23 the catch 26 is hooked out automatically. So the started tensioning process is stopped and has to be restarted.

Sealing

The sealing action is started by pressing down the sealing valve lever 25. Sealing valve 5 switches and the blocking of motor valve 6 is suspended.

The air motor 22 is held under pressure by the holding air throttle 11 and the holding air valve 14 in order to avoid the rewinding of the feed wheel which is under pressure.

From sealing valve 5 compressed air flows to the pressure reduction valve 15 (to be adjusted at 5.3 bar/76 psi) as well as to the sealing cylinder 20. At the same time diaphragm 13 and through throttle 9 also pilot valve 8 are admitted with compressed air from the left.

Pilot valve 8 changes to opening and diaphragm 13 to locking. Since the right side of diaphragm 13 has a smaller control piston surface than the left side, diaphragm 13 remains in a locking position and consequently avoids the switching off of holding air valve 14. The piston of the cylinder 20 moves out and under the use of a hydraulic pressure intensifier produces the necessary power to cut the sealing profile into the two straps and to shear off the upper strap.

As soon as the upper strap is sheared off, the sealing valve lever 25 can be released. Sealing valve 5 switches to deaeration, the compressed air in cylinder 20 starts to flow back and escapes through the pressure reduction valve 15 (back stroke area), sealing valve 5 and the lower part of the cylinder 20 into the atmosphere.

The pressure in the line between pressure reduction valve 15 and sealing valve 5 drops continually.

As a result of this, the pressure on the left control side of diaphragm 13 is reduced.

The surface relation of the left to the right control side is modulated in such a way that diaphragm 13 switches in dependence to the piston movement of the sealing cylinder and opens the input to the left control side of holding air valve 14.

Holding air valve 14 interrupts the holding air. The pressure in the air motor 22 drops; the air motor can be turned back by the tension in the strap. The two straps provided with the sealing profile can now interlock. At this point the piston (piston with dies and cutter) is positioned approx. one to two mm (.040" to .080") from its lowest position on its way to its initial position.

Removing the tool

The tool is opened by pulling the Flapper valve lever 23; the tool is then pushed away from the seal to the right.

14.1 Adjustments

Tension speed / tension force

Throttle valve 7 limits the tension speed and also the tension force in the lower range of adjustments.

Factory presetting adjustment: 90 % of the maximum speed.

Sealing cylinder

The air pressure reduction valve 15 limits the entry pressure to the sealing cylinder 20.

Factory presetting adjustment: 5.3 bar (76 psi).

Important! The presetting adjustments must not be exceeded.

Timing of the interlock

Under normal conditions the holding air throttle 29 is screwed flush into the outside of the control valve body. If the straps do not interlock properly (one or two notches do not interlock at all) the throttle has to be turned in a clockwise direction; this causes a reduction of the holding air on the motor and the tensioned strap is held with less power so that it will interlock quicker after sealing.

Attention!

Adjust holding air throttle in such a way that no tension marks on the bottom of the seal caused by the punch will be noticed. If marks are noticed the punch might wear prematurely.

15 SPARE PARTS LIST 13.6750.01

13.6750.01	A383/32/0.80-0.90/15.0		A383.0001.01		09.11.99	
Item-No.		in group	Pcs.	Description	Dimension	Field
A3H.1110			1	FILTER NETTING		B9
A3H.1111			1	NETTING FRAME		C9
A3H.1112			1	PROTECTION NETTING		B9
[A38.0109]			1	CONTROL VALVE		A17
[A38.0112]			1	TENSIONING UNIT	15KN	A22
[A38.0113]			1	VALVE HANDLE		C17
[A38.0114]			1	PISTON PLATE		B11
[A38.0115]			1	CYLINDER COVER		A12
[A38.0118]		A38.0112	1	AIR MOTOR	EXC. 3.0	A22
[A38.0132]		A38.0118	1	MOTOR CELL	EXC. 3,0	B20
A38.1114		A38.2118	1	BUSH		A6
A38.1138			1	SOCKET SET SCREW		B3
A38.1142			1	BOLT		C9
A38.1145			1	CYLINDER COVER		B10
A38.1147			1	FORK		C23
A38.1148			1	SHAFT		C23
A38.1149			1	COVER		B7
A38.1152			2	BLIND PLUG		C8+
A38.1156			1	DISK		B11
A38.1204		A38.0113	1	SHAFT		D14
A38.1205		A38.0113	1	SECURITY LEVER		D14
A38.1206		A38.0113	1	LEVER BODY		D13
A38.1208		A38.0113	1	SEALER VALVE SHELL		B14
A38.1209		A38.0113	2	VALVE BOLT		A14
A38.1210		A38.0113	1	TENSIONER VALVE LEVER		A15
A38.1211		A38.0113	1	SEALING VALVE LEVER		B15
A38.1212		A38.0113	1	SHAFT		A14
A38.1213		A38.0113	1	LEVER BODY		A14
A38.1214		A38.0113	1	CATCH PIN		B15
A38.1215		A38.0113	1	GUIDE RING		C16
A38.1216		A38.0109	4	SUSTAINING RING		D9+
A38.1216		A38.0113	5	SUSTAINING RING		B18+
A38.1216			5	SUSTAINING RING		C16+
A38.1217		A38.0113	1	GUIDE RING		C17
A38.1218		A38.0113	1	VALVE PISTON		C17
A38.1220		A38.0113	1	VALVE LEVER		D17
A38.1221		A38.0113	1	SHAFT		D17
A38.1222		A38.0113	1	LEVER BODY		D17
A38.1226		A38.0109	1	CYLINDER CAP		D18
A38.1227		A38.0109	1	CYLINDER RING		C18
A38.1228		A38.0109	1	PISTON BAR		C18
A38.1229		A38.0109	1	THRUST PIECE		A18
A38.1231			1	SEAL PLATE		B17
[A38.1236]			1	MOTOR TUBE		A16
A38.1242		A38.0113	1	TENSIONER VALVE SHELL		B15
A38.1243			1	SEAL PLATE		C14
[A38.1244]		A38.0109	1	CONTROL VALVE BODY		A17
[A38.1246]			1	VALVE HEAD		D10
A38.1248			1	SEALING STRIP		D10
A38.1249			1	VALVE STEM		D10
A38.1250			1	DISTANCE SLEEVE		D9
A38.1251			1	COMPENSATOR RING		C10

[] = Group

* = Wearing parts

13.6750.01	A383/32/0.80-0.90/15.0		A383.0001.01		09.11.99	
Item-No.		in group	Pcs.	Description	Dimension	Field
A38.1253		A38.0113	1	THROTTLE SCREW		C14
A38.1272			1	JOINT CONE		B16
A38.1274		A38.1244	1	HOLDING AIR THROTTLE		A17
A38.1275		A38.0113	1	SLIDE BOLT		C16
A38.1276		A38.0113	1	RING		B15
A38.1277		A38.0113	1	SCREW		A15
A38.1278		A38.0113	1	EJECTION HEAD		A15
A38.1279		A38.0113	1	EJECTING BOLT		A15
A38.1280		A38.0109	1	SEALING SCREW		A18
A38.1281		A38.0109	1	TOUCH BOLT		A18
A38.1282		A38.0113	1	LEVER		A16
A38.1283		A38.0113	1	SHAFT		A16
A38.1324			1	STRAP HOLDER		D21
A38.1351	*	A38.0132	8	VANE		C20
A38.1352		A38.0132	1	END PLATE		B21
[A38.1353]		A38.0118	1	AIR MOTOR HOUSING		B21
A38.1354		A38.0118	1	COVER		A20
A38.1370		A38.0112	1	BEARING PLATE		C24
A38.1371		A38.0112	1	INTERMEDIATE WHEEL		B23
[A38.1372]		A38.0112	1	BODY COVER		B24
A38.1374		A38.0132	16	FELT		C19+
A38.1376		A38.0132	1	ROTOR		C20
A38.1377		A38.0132	1	COUPLING		B20
A38.1378		A38.0132	1	DOWEL		B20
A38.1427		A38.2401	1	BUTT STRAP		--
A38.1506		A38.0115	1	PRESSION SETTING SCREW		A10
A38.1507		A38.0115	1	VARIABLE PISTON		B11
A38.1508		A38.0115	1	BALL SEAT		B11
A38.1510		A38.0115	1	SEALING PLUG		A10
A38.2103			1	DIE AND CUTTER SUPPORT		B3
[A38.2104]			1	EJECTOR SPRING PACKAGE		C2
A38.2105		A38.2104	1	EJECTOR SPINDLE		C3
A38.2106		A38.2104	1	EJECTING BUSH		C3
A38.2107		A38.2104	1	CAP		C3
A38.2110	*		1	DIE HALF		D3
A38.2111	*		1	DIE HALF		D4
A38.2112	*		1	CUTTER		C4
A38.2114			1	STRAP CLAMP		C4
A38.2117			1	GUIDE SHEET METAL		D3
[A38.2118]			1	SPRING PACKAGE		A5
A38.2119		A38.2118	1	SPINDLE		A6
A38.2120			1	BASE PLATE		C6
A38.2122	*		1	PUNCH		C6
A38.2123			1	ADJUSTING SCREW		C6
A38.2124			1	EJECTOR		B6
[A38.2125]			1	SPRING PACKAGE		B5
A38.2126		A38.2125	1	SPINDLE		B6
A38.2127			1	FLAPPER		C2
A38.2129			1	STRAP GUIDE		C2
A38.2131			1	STRAP GUIDE		B1
A38.2132			1	FLAP PIVOT PIN		B3
A38.2133			1	PISTON ROD		C9
A38.2134			1	PISTON ROD		C7
A38.2135			1	GUIDE RING		C8

[] = Group

* = Wearing parts

13.6750.01	A383/32/0.80-0.90/15.0		A383.0001.01		09.11.99	
Item-No.		in group	Pcs.	Description	Dimension	Field
A38.2136			1	COVER DISK		C8
A38.2139			1	PLUNGER		C11
A38.2140		A38.0114	1	PISTON PLATE		B11
A38.2141		A38.0115	1	CYLINDER COVER		A11
A38.2143			1	STRAP STOP		B4
A38.2144			1	GUIDE GIB		B4
A38.2145			1	GUARD-PLATE		B4
A38.2147			1	STRAP STOP		C21
A38.2148		A38.0115	1	CONNECTING SCREW		B12
[A38.2149]			1	SEALING BODY		A4
A38.2151			1	SEALING CYLINDER		C8
A38.2152			1	HINGE		C9
A38.2153			1	HINGE PIVOT PIN		B2
A38.2154			1	HINGE PLATE		B1
[A38.2155]			1	PISTON PLATE		C9
A38.2156			1	STOP DISK		C9
A38.2157			1	SUPPORTING DISK		C9
A38.2158			1	HEXACON NUT		B9
A38.2201		A38.0113	1	SECURITY VALVE SHELL		D14
A38.2202		A38.0113	1	VALVE BOLT		D14
[A38.2203]		A38.0113	1	VALVE HOUSING		C15
[A38.2205]			1	CYLINDER HOSE		C12
A38.2206		A38.0113	1	SPRING BUSHING		C15
A38.2301		A38.0132	1	END PLATE		C19
A38.2302		A38.0132	1	JACKET		B21
[A38.2303]		A38.0112	1	HOUSING		C22
A38.2305		A38.0112	1	PINION		A23
A38.2306		A38.0112	1	INTERMEDIATE WHEEL	1-2	A23
A38.2307		A38.0112	1	INTERMEDIATE WHEEL	2-3	B23
A38.2308		A38.0112	1	TENSION SHAFT		C23
A38.2310	*		1	TENSIONING WHEEL		D21
A38.2311			1	SPACER RING		D21
A38.2312			1	BOLT		D20
A38.2313			1	PIVOT PIN		C20
A38.2314			1	END COVER		C20
A38.2316	*		1	GRIPPER		B5
A38.2317			1	HOLDER		B5
A38.2318			1	SPACER RING		D21
[A38.2401]			1	SUSPENSION		--
[A38.2402]		A38.2401	1	SUSPENSION BRACKET		--
A48.1234		A38.0113	1	CATCH		B15
A48.1237		A38.0113	1	SIEVE		C13
N1.1104		A38.2401	2	SCREW	M8 X 20	--
N1.1106			5	SCREW	M6 X 20	B8+
N1.1113		A38.0112	4	SCREW	M5 X 20	A24
N1.1114			3	SCREW	M5 X 25	D19
N1.1125			4	SCREW	M6 X 16	C8
N1.1130		A38.0112	4	SCREW	M5 X 35	A24+
N1.1133			2	SCREW	M5 X 40	D10
N1.1141			1	SCREW	M6 X 40	D15
N1.1143			4	SCREW	M6 X 35	A17+
N1.1168			3	SCREW	M5 X 16	A10
N1.1174			5	SCREW	M10 X 1 X 40	D5
N1.1180		A38.0118	4	SCREW	M6 X 90	B19

[] = Group

* = Wearing parts

13.6750.01	A383/32/0.80-0.90/15.0		A383.0001.01		09.11.99	
Item-No.		in group	Pcs.	Description	Dimension	Field
N1.1193			1	SCREW	M6 X 12	C4
N1.1323			2	SCREW	M5 X 8	D6
N1.1560			7	HEXAGON SCREW	M5 X 10	B1+
N1.1806			4	SCREW	M4 X 10	D3+
N1.1807			1	SCREW	M5 X 12	C5
N1.1811			2	SCREW	M6 X 40	B5
N1.1812			2	SCREW	M6 X 16	C21
N1.2101			1	COUNTERSUNK SCREW	M8 X 25	B11
N1.2102			4	COUNTERSUNK SCREW	M6 X 20	A11
N1.2106			2	COUNTERSUNK SCREW	M4 X 8	C9
N1.2212		A38.0113	7	COUNTERSUNK SCREW	M4 X 25	D16+
N1.2214			2	COUNTERSUNK SCREW	M5 X 12	D3
N1.5608			1	SLOTTED ROUND NUT	M8 X 1	B7
N1.6207		A38.0112	8	SPRING LOCK WASHER	M5	C5+
N1.6207			10	SPRING LOCK WASHER	M5	A23+
N1.6220		A38.0118	4	SPRING LOCK WASHER	M6	B8+
N1.6220			14	SPRING LOCK WASHER	M6	A20
N1.6310		A38.0112	2	SPACER WASHER	14 X 26 X 0,5	B23
N1.6501		A38.2401	2	SAFETY WASHER	M8	--
N1.6502			5	SAFETY WASHER	M10	D5+
N1.7302			1	SEALING SCREW	M10 X 1	--
N2.1125		A38.0113	2	SECURITY RING	E3.2	A15+
N2.1125			2	SECURITY RING	E3.2	--
N2.1215		A38.0113	1	SECURITY RING	J22	B15
N2.1301		A38.2118	1	CIRCLIP	6 MM	A6
N2.1302		A38.2125	1	SECURITY RING	8	B6
N2.1701			1	SECURITY RING	17 MM	--
N2.1702			1	SECURITY RING	26 MM	--
N2.2101			4	PARALLEL PIN	5 M6 X 12	--
N2.2107			2	PARALLEL PIN	5 M6 X 40	--
N2.2109			2	PARALLEL PIN	8 M6 X 30	--
N2.2114		A38.0113	1	PARALLEL PIN	4 M6 X 24	C14
N2.2138			2	PARALLEL PIN	4 M6 X 12	--
N2.2143		A38.0112	2	PARALLEL PIN	5 H6 X 16	A24
N2.2144		A38.0112	1	PARALLEL PIN	14 H6 X 75	C23
N2.2413		A38.0132	1	DOWEL PIN	4 X 20 MM	B21
N2.2445		A38.0132	1	DOWEL PIN	2,5 X 6 MM	C19
N2.4407		A38.0112	4	RIVET	2 X 3	A23+
N2.4902			4	HAMMER HEAD BOLT	1,85 X 4,76	--
N2.5102		A38.0109	1	PRESSURE SPRING	0.6 X 8 X 14/6	A18
N2.5160		A38.0113	3	PRESSURE SPRING	1 X 12 X 26	C16+
N2.5161		A38.0113	1	PRESSURE SPRING	1 X 12 X 20	D14
N2.5161		A38.0115	1	PRESSURE SPRING	1 X 12 X 20	B12
N2.5162			1	PRESSURE SPRING	2 X 42 X 22	--
N2.5168			1	PRESSURE SPRING	0.5 X 10 X 22	--
N2.5171			1	PRESSURE SPRING	1 X 8 X 26	--
N2.5179		A38.0113	1	PRESSURE SPRING	0.32X2.82X34/30.5	C15
N2.5192		A38.0113	2	PRESSURE SPRING	0.7 X 8 X 28	B14
N2.5193			1	PRESSURE SPRING	6.3X81.6X220	--
N2.5601		A38.2118	72	CUP SPRING	12.5X6.2X0.7	A6
N2.5609		A38.0118	2	CUP SPRING	45X22.5X1.75	A20
N2.5612		A38.0115	9	CUP SPRING	20X10.2X0.5	A11
N2.5613		A38.2125	57	CUP SPRING	16X8,2X0,9	B6
N2.5614		A38.2104	72	CUP SPRING	10X4,2X0,6	C3

[] = Group

* = Wearing parts

13.6750.01	A383/32/0.80-0.90/15.0		A383.0001.01		09.11.99	
Item-No.		in group	Pcs.	Description	Dimension	Field
N2.5616			2	CUP SPRING	50 X 25.4 X 2.5	--
N3.1109		A38.1372	1	BALL BEARING		A23
N3.1109		A38.2303	1	BALL BEARING		B22
N3.1123		A38.0132	1	BALL BEARING		B21
N3.1133		A38.0132	1	BALL BEARING		C19
N3.1703		A38.0112	1	BALL	5 MM.	C24
N3.1706		A38.0113	2	BALL	15 MM	B14+
N3.1706		A38.0115	1	BALL	15 MM	B12
N3.1709		A38.0113	1	BALL	12 MM	D14
N3.2322		A38.1372	1	NEEDLE CASE		A23
N3.2322		A38.2303	1	NEEDLE CASE		B22
N3.2323		A38.1372	1	NEEDLE CASE		B24
N3.2323		A38.2303	1	NEEDLE CASE		B22
N3.3129		A38.0112	2	SLIDE-BEARING		B23
N3.3130		A38.0112	1	HEADED PRESS FIT BUSH		C24
N3.3140		A38.0112	1	HEADED PRESS FIT BUSH		C23
N3.3141			1	HEADED PRESS FIT BUSH		--
N41.9128			1	ADHESIVE LABEL		--
N41.9129			1	ADHESIVE LABEL		--
N4.5110		A38.0113	1	CAP		A16
N4.5110			1	CAP		--
N4.9132			1	LABEL	<<A383>>	--
N4.9159			1	LABEL	<<CE>>	--
[N6.3404]			1	PISTON		--
N6.3501		A38.0114	1	INNER PACKING	12.31X24.1X6.5	B11
N6.3504		N6.3404	1	INNER PACKING	8.3X12.1X4	--
N6.3507		A38.2155	1	EXTERNAL PACKING RING		--
N6.3508		N6.3404	1	EXTERNAL PACKING RING		--
N6.5133		A38.0113	1	REDUCING COUPLING		C13
N6.5138		A38.0115	1	SEALING SCREW		A11
N6.5508		A38.0118	1	EXHAUST SILENCER	R 1/2"	A21
N6.5624		A38.0113	1	ANGLE		C13
N6.5627			1	HOLLOW SCREW		--
N6.5634			2	PACKING RING		--
N6.5637		A38.0118	1	ADAPTER		A21
N6.5673			2	HOLLOW SCREW	M22X1,5	--
N6.5674			4	PACKING RING	22 X 27 X 1.5	--
N6.6108			1	SEAL	16 X 24 X 5	--
N6.6113			1	PACKING RING	10 X 16 X 4.5	--
N6.6114		A38.0109	1	LIP SEAL	12 X 6 X 4	C18
N6.6115		A38.0109	1	LIP SEAL	16 X 10 X 4	C18
N6.6117		A38.0109	4	SEAL	6 X 13 X 2.3	--
N6.6117		A38.0113	5	SEAL	6 X 13 X 2.3	B18+
N6.6117			5	SEAL	6 X 13 X 2.3	C16+
N6.6120			1	SEAL	16 X 9 X 2.3	--
N6.6124		A38.0115	1	PACKING RING	25 X 18 X 2.3	B12
N6.6142			1	SEAL		--
N6.6143			1	SEAL		--
N6.6145			1	DIAPHRAGM		--
N6.6202		A38.0112	1	O-RING	25 X 2,5	C22
N6.6204		A38.0113	4	O-RING	18 X 2	B14+
N6.6207		A38.1244	1	O-RING	3,1 X 1,6	A17
N6.6213			1	O-RING	20 X 2	--
N6.6217		A38.0109	6	O-RING	15 X 2	A18+

[] = Group

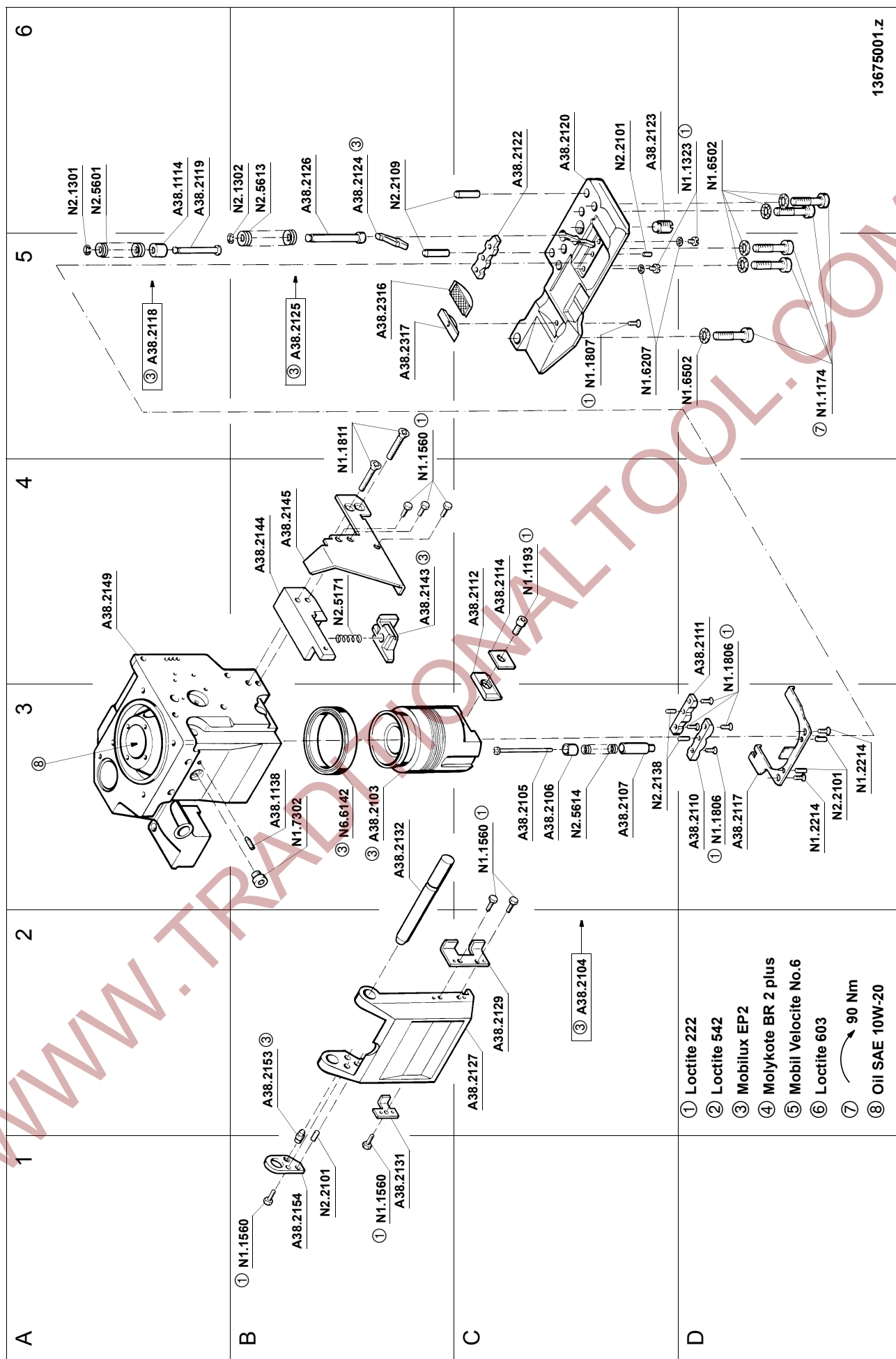
* = Wearing parts

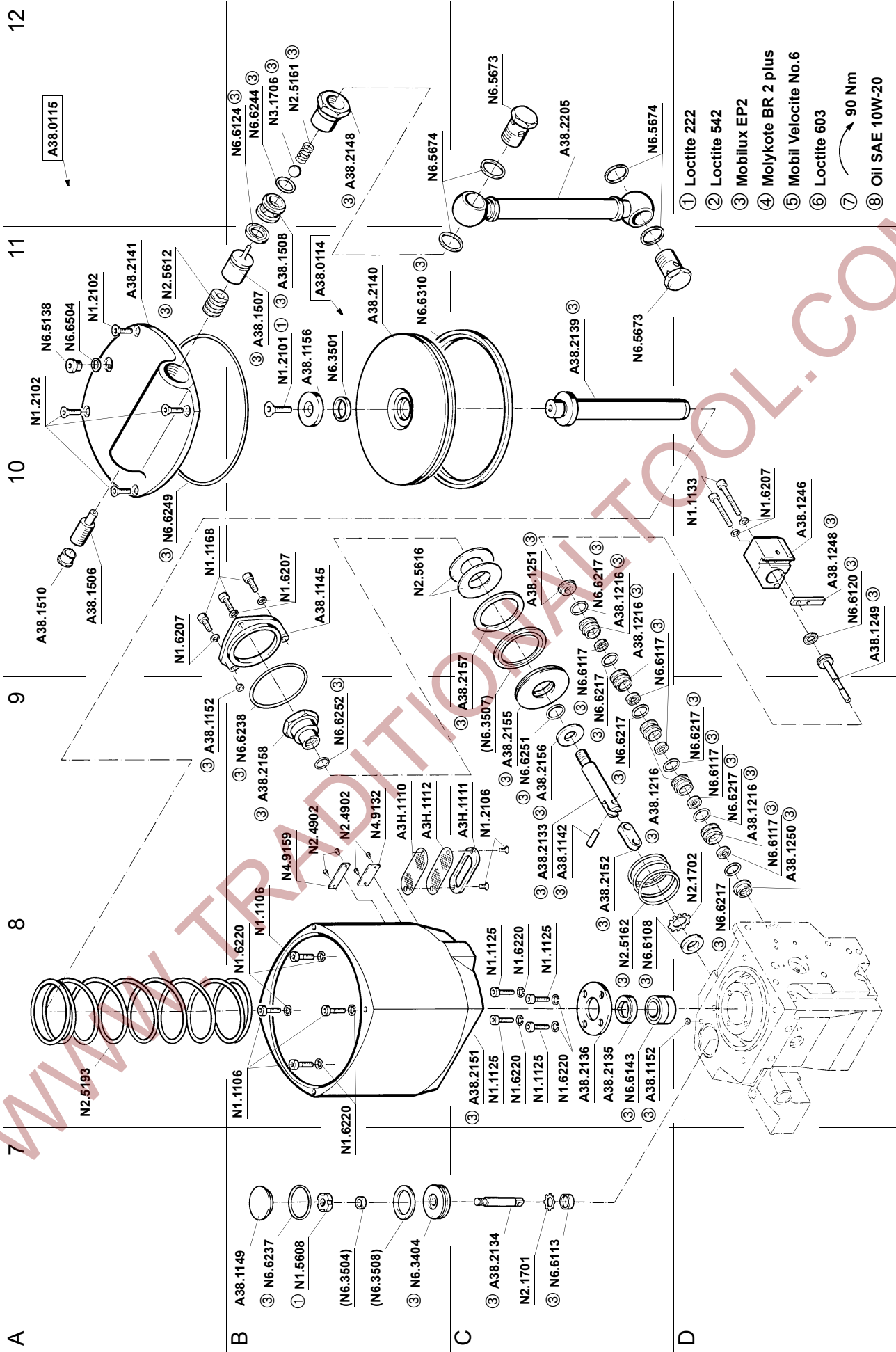
FROMM

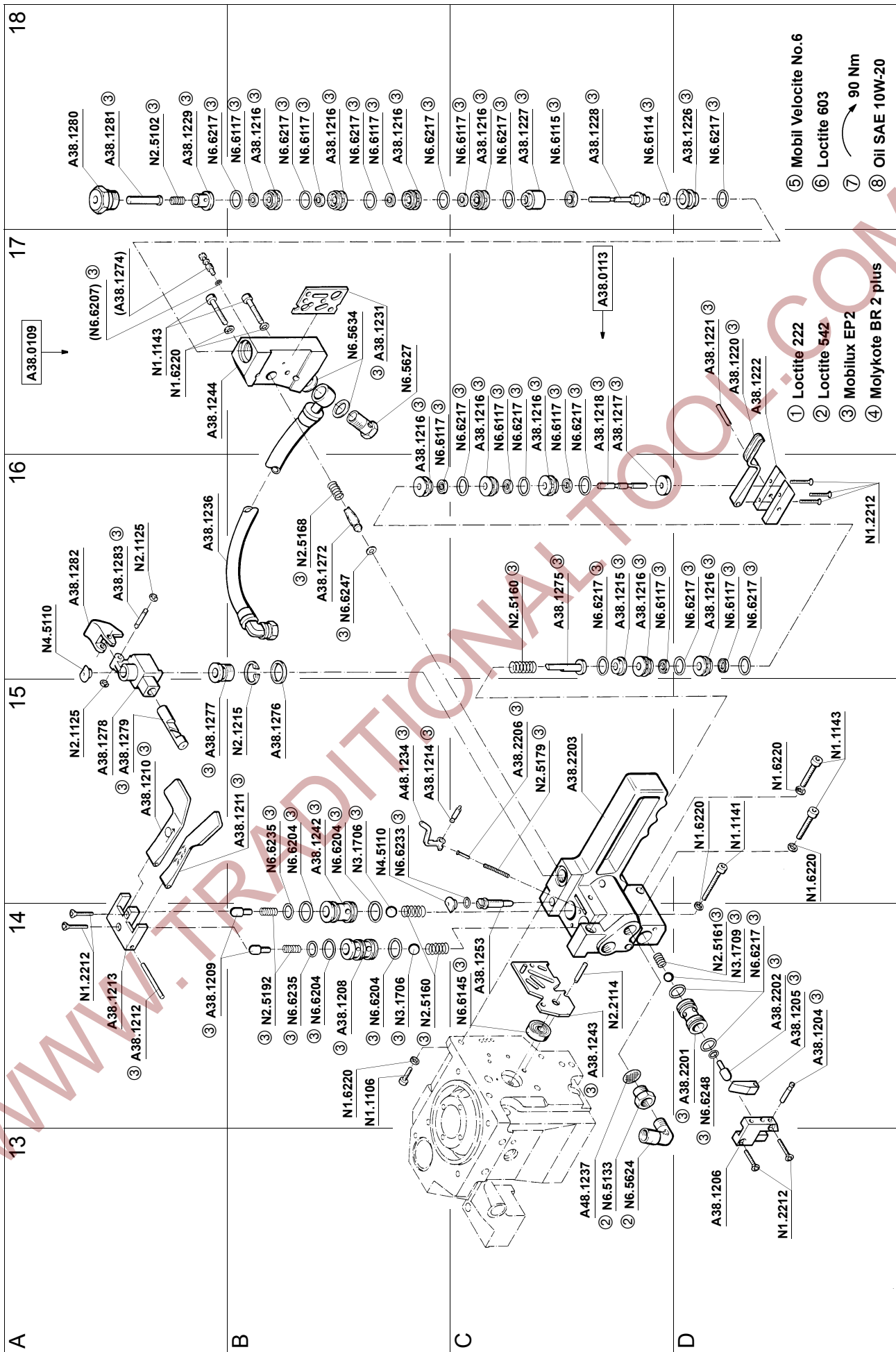
13.6750.01	A383/32/0.80-0.90/15.0		A383.0001.01			09.11.99
Item-No.		in group	Pcs.	Description	Dimension	Field
N6.6217		A38.0113	8	O-RING	15 X 2	C16+
N6.6217			6	O-RING	15 X 2	--
N6.6223		A38.0118	1	O-RING	50 X 2	B21
N6.6229		A38.0112	1	O-RING	14 X 1	B24
N6.6233		A38.0113	1	O-RING	6 X 2	B15
N6.6235		A38.0113	2	O-RING	12 X 2	B14+
N6.6237			1	O-RING	33 X 1,5	--
N6.6238			1	O-RING	60 X 2	--
N6.6241		A38.0132	2	O-RING	46 X 2	C19+
N6.6244		A38.0115	1	O-RING	22 X 2	B12
N6.6247			1	O-RING	5 X 2,5	--
N6.6248		A38.0113	1	O-RING	10 X 1.5	D14
N6.6249		A38.0115	1	O-RING	155 X 3	A10
N6.6251			1	O-RING	18 X 1.5	--
N6.6252			1	O-RING	12 X 1.5	--
N6.6310		A38.0114	1	SEAL		B11
N6.6504		A38.0115	1	FLAT SEAL	13 X 10 X 1,5	A11
N6.6803		A38.0112	1	PACKING RING	10 X 19 X 9.8	C22
N7.1106			1	BUSH		--
N7.1203			1	SEALING DISK		--
N7.1204			1	SEALING DISK		--

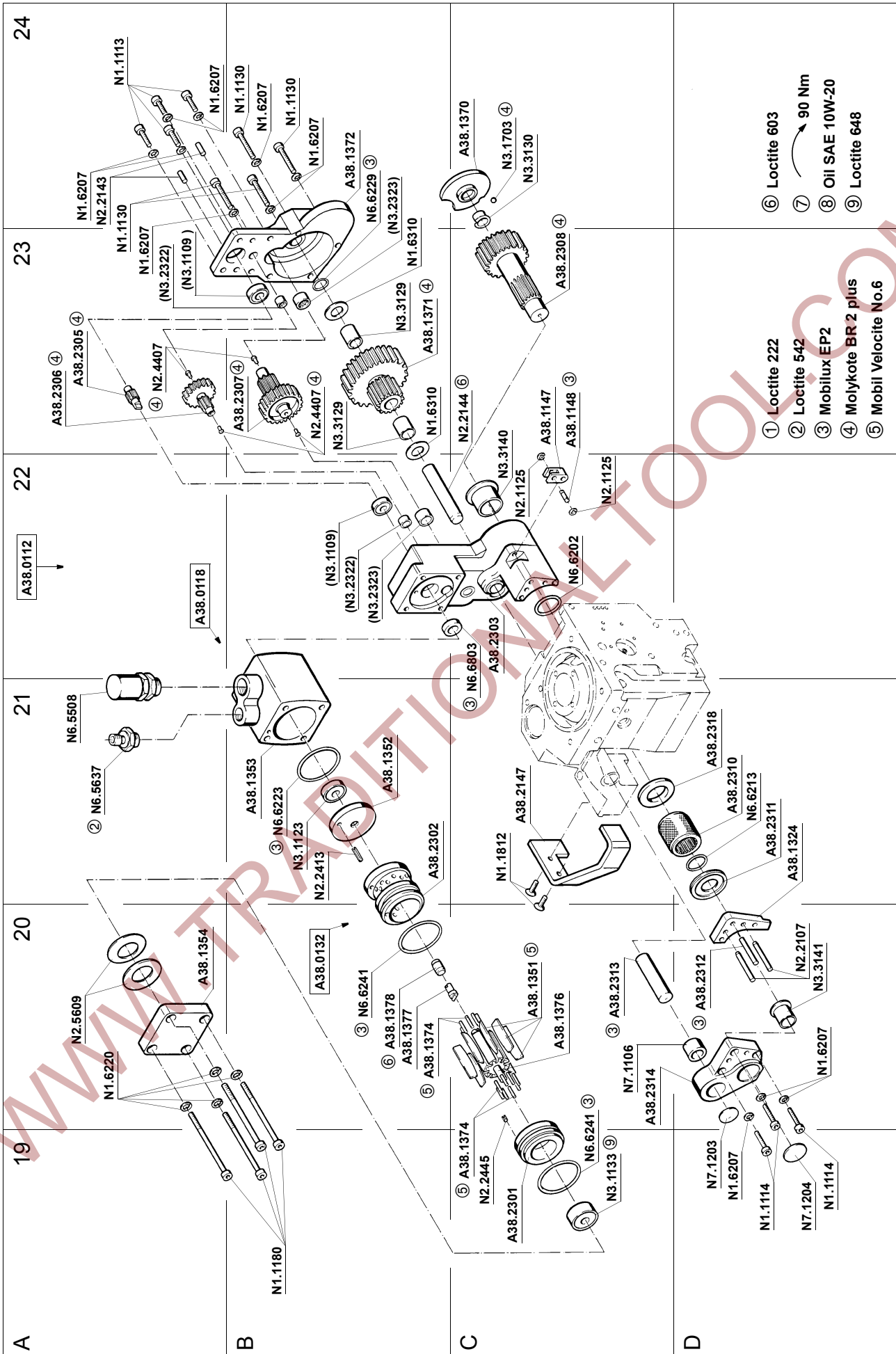
[] = Group

* = Wearing parts









- ① Loctite 222
- ② Loctite 542
- ③ Mobilux EP2
- ④ Molykote BR2 plus
- ⑤ Mobil Velocite No.6
- ⑥ Loctite 603
- ⑦ \curvearrowright 90 Nm
- ⑧ Oil SAE 10W-20
- ⑨ Loctite 648