

OPERATION, PARTS AND SAFETY MANUAL

SIGNODE®

PRH-34 & PRH-114
PUSH TYPE POWER COMBINATION
STRAPPING TOOLS

IMPORTANT!
DO NOT DESTROY

It is the customer's responsibility to
have all operators and servicemen
read and understand this manual.

Contact your local Signode representative
for additional copies of this manual.

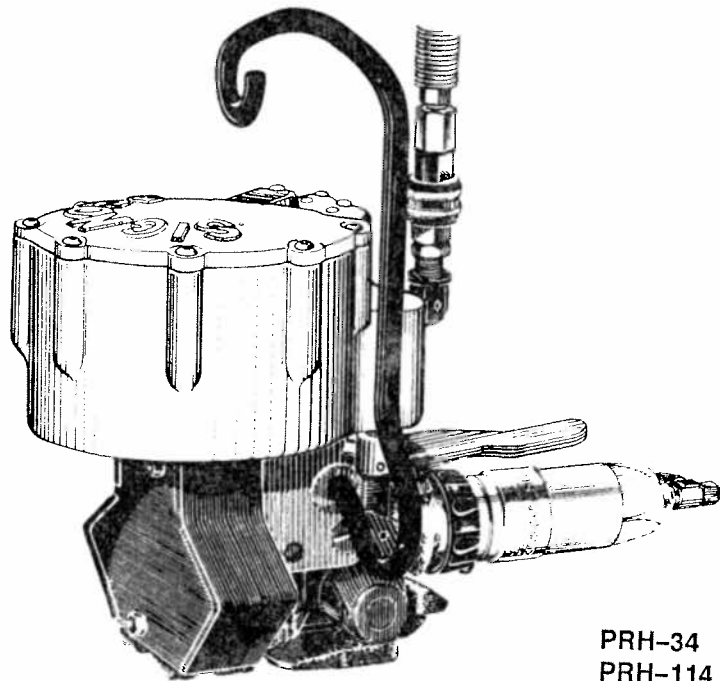
READ ALL INSTRUCTIONS BEFORE OPERATING THIS SIGNODE PRODUCT

SIGNODE • 3610 W. LAKE AVENUE • GLENVIEW, ILLINOIS 60025

186036

TABLE OF CONTENTS

General Safety Instructions	2
Specifications	4
Recommended Air Line Piping	5
Strap Tension	7
Operating Instructions	8
Adjustments	10
Maintenance	10
Troubleshooting	11
Parts List	12



PRH-34 Part No. 004150
 PRH-114 Part No. 004100

SPECIFICATIONS

MODEL	STRAP			SEALS
	TYPE	WIDTH	THICKNESS	
PRH-34	Magnus	3/4" Max.	.031 Min.	34HOC
PRH-114		1 1/4" Max.	to .035 Max	114P

DRH 34 / 114

PARTS LIST

KEY	QTY.	PART NO.	DESCRIPTION
1	7	009042	Soc. hd. cap screw, 1/4-20 x 1"
2	1	004061	Soc. hd. cap screw, #10-24 x 1"
3	1	004174	Soc. hd. cap screw, #10-24 x 7/8"
4	1	004148	Cylinder cover
5	1	004152	Cylinder gasket
6	1	004104	Conical compression spring
7	1	004166	O ring, 5 3/4 x 6 1/8 x 3/16"
8	1	003868	Flexloc nut, 3/8-24
10	1	004151	Sealer piston
11	1	070509	Washer, 9/64 x 13/16 x 1/16
12	1	004162	Cylinder
13	1	<u>008998</u>	<u>Roll pin, 7/32 x 3/4"</u>
14	1	020710	90 degree elbow
15	1	004154	Air hose assembly
16	1	<u>004131</u>	<u>Valve latch spring</u>
17	1	<u>004116</u>	<u>Valve latch</u>
18	1	023670	Shoulder screw
19	1	004111	Upper sleeve spacer
20	1	004193	Upper sleeve spacer
21	2	004108	Valve spring
22	7	004165	O ring, 3/4 x 1 x 1/8"
23	5	004110	Valve sleeve
24	1	004113	Lower sleeve spacer
25	1	004114	Tensioner valve stem
26	1	004115	Sealer valve stem
27	1	004144	Lower valve spacer
28	1	023677	Hansen socket
29	1	020704	Hansen plug
30	1	008478	Bushing
31	1	004190	Street elbow
32	1	004160	Hanger
33	2	071581	Washer
34	1	013624	Locknut, 1/2-12
35	1	004963	Locknut, #10-32
36	1	<u>004183</u>	<u>Cutter, PRH-34</u>
	1	<u>004142</u>	<u>Cutter, PRH-114</u>
37	1	<u>004103</u>	<u>Cutter spring</u>
38	1	007142	Soc. hd. cap screw, 1/4-28 x 1/2"
39	1	<u>004145</u>	<u>Breaker nose</u>
40	2	007508	Soc. hd cap screw, 1/4-28 x 5/8"
41	1	010022	Roll pin, 3/16 x 1 3/4"
42	2	008076	Dowel pin, 5/16 x 1/2", PRH-34 only
43	1	<u>004197</u>	<u>Breaker foot</u>
44	1	<u>008678</u>	<u>Wear pad assembly</u>
45	1	<u>008148</u>	<u>Roll pin, 1/8 x 7/16"</u>
46	1	008940	Soc. set screw, 3/8-24 x 1/2"
47	1	006428	Soc. set screw, #8-32 x 1/4
48	1	004155	Stop pin
49	1	<u>008898</u>	<u>Feedwheel</u>
50	1	<u>008863</u>	<u>Outer bearing</u>

KEY	QTY.	PART NO.	DESCRIPTION
51	1	046035	Guard
52	1	004176	Flt. hd. soc. cap scr., 5/16-24 x 1"
53	1	013538	O ring, 1 3/8 x 1 9/16 x 3/32"
54	1	004119	Position piston
55	1	004163	O ring, 1 3/8 x 1 1/2 x 1/16"
56	1	004120	Cylinder plug
57	1	004167	Retaining ring
58	1	020913	Quad ring, 7/16 x 5/8 x 3/32"
59	1	004118	Position ram
60	1	005756	Roll pin, 3/16 x 3/4"
61	1	004117	Position link
62	1	004102	Outer link
63	1	005205	Dowel pin, .251 x 3/4"
64	1	004107	Pivot shaft
65	1	020701	O ring, 7/32 x 11/32 x 1/16"
66	1	004112	Pawl pin lever
67	1	004130	Spring
68	1	004136	Cover plate
69	1	020694	Soc. hd. set screw, #10-24 x 1/4"
70	2	057866	Soc. hd. cap screw, #10-24 x 1/2"
71	1	007184	Wire
73	1	<u>007631</u>	<u>Roll pin, 1/8 x 5/8"</u>
74	1	004109	Valve handle spring
75	1	006045	Roll pin, 1/8 x 3/8"
76	1	004138	Valve arm
77	2	004106	Valve arm roller
78	1	171653	Soc. hd. cap screw, #10-32 x 2 1/4"
79	1	004153	Lever assembly
80	1	024714	Adjusting screw, 5/16-18 x 1/4"
81	1	059918	Hex nut, 5/16-18
82	1	024717	Regulator elbow
84	1	009044	Allen nut, 3/8-24
85	1	<u>004179</u>	<u>Rear side plate, PRH-34</u>
	1	<u>004124</u>	<u>Rear side plate, PRH-114</u>
86	2	004127	Spacer
87	2	<u>004184</u>	<u>Rear jaw, PRH-34</u>
	2	<u>004133</u>	<u>Rear jaw, PRH-114</u>
88	1	<u>004182</u>	<u>Notcher, PRH-34</u>
	1	<u>004122</u>	<u>Notcher, PRH-114</u>
89	1	004123	Ram
90	1	<u>004134</u>	<u>Front sealer link</u>
91	1	<u>004121</u>	<u>Rear sealer link</u>
92	1	004126	Ram pin
93	2	<u>008507</u>	<u>Link pin</u>
94	2	<u>004181</u>	<u>Front jaw, PRH-34</u>
	2	<u>004132</u>	<u>Front jaw, PRH-114</u>
95	2	<u>008506</u>	<u>Jaw pin</u>
96	1	<u>004180</u>	<u>Front side plate, PRH-34</u>
	1	<u>004125</u>	<u>Front side plate, PRH-114</u>
97	2	<u>004175</u>	<u>Soc. hd. shoulder screw, 3/8 x 2"</u>

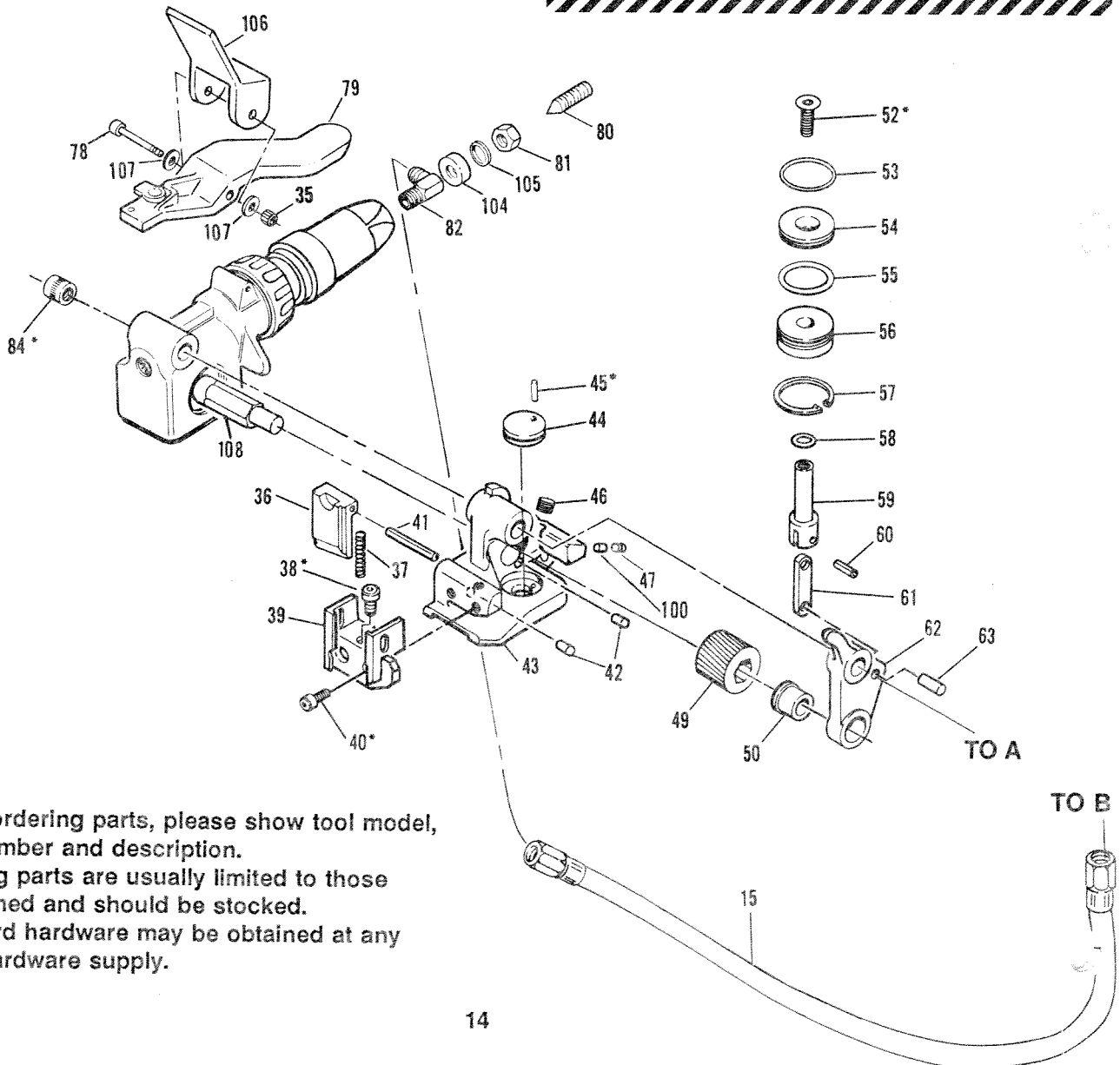
PARTS LIST Continued

KEY QTY. PART NO. DESCRIPTION

98	1	<u>005211</u>	<u>Flexloc nut, 5/16-18</u>
99	1	023746	Flt. hd. soc. cap scr., 5/16-18 x 2 1/4"
100	1	004917	Brake
101	2	014547	Button hd. cap screw, #10-24 x 1"
102	1	053611	Exhaust deflector
103	1	267596	Warning sign
104	1	171661	Steel collar
105	1	171655	Nylon lock washer
106	1	173955	Guard
107	1	006057	Washer, #10 SAE
108	1	008862	Feedwheel shaft
109	1	008838	Stop pin
110	1	006594	O ring, 5/8 x 13/16 x 3/32"

⚠ WARNING

All parts must be periodically inspected and replaced if worn or broken. Failure to do this can affect a tool's operation and present a safety hazard.



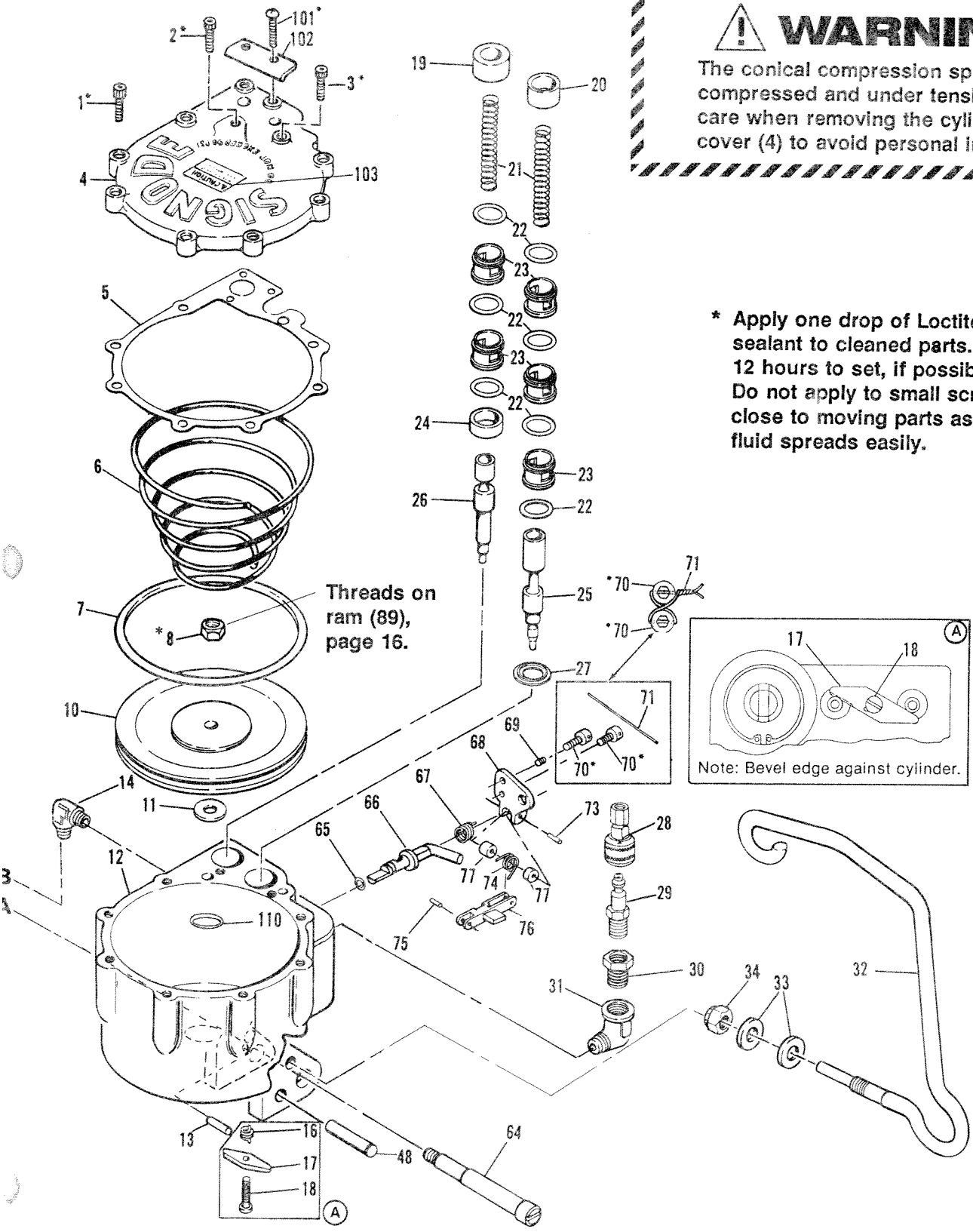
- When ordering parts, please show tool model, part number and description.
- Wearing parts are usually limited to those underlined and should be stocked.
- Standard hardware may be obtained at any local hardware supply.



WARNING

The conical compression spring (6) is compressed and under tension. Use care when removing the cylinder cover (4) to avoid personal injury.

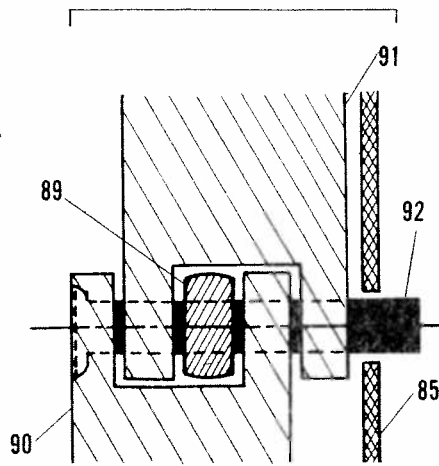
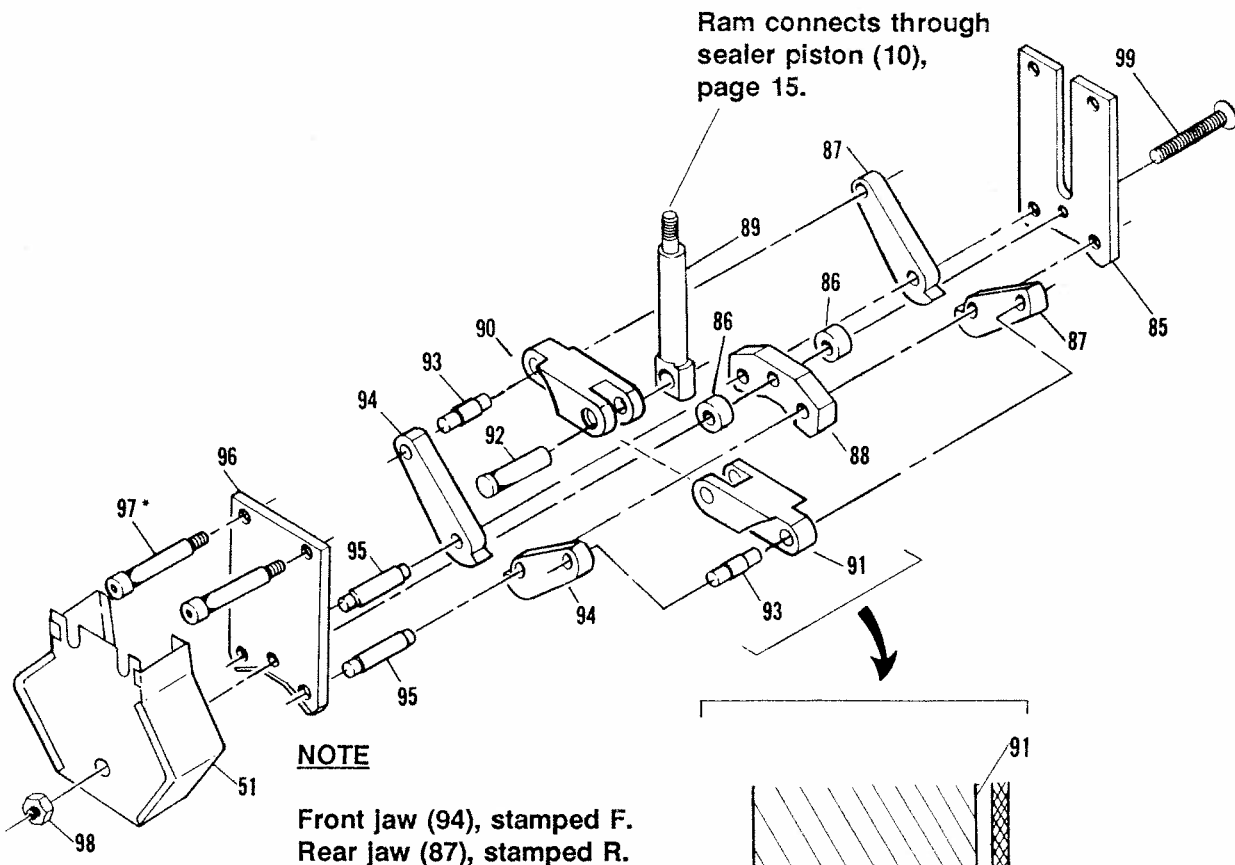
* Apply one drop of Loctite 242 sealant to cleaned parts. Allow 12 hours to set, if possible. Do not apply to small screws or close to moving parts as the fluid spreads easily.



Threads on ram (89), page 16.

Note: Bevel edge against cylinder.

PARTS LIST Continued



BOTTOM VIEW

! WARNING

All parts must be periodically inspected and replaced if worn or broken. Failure to do this can affect a tool's operation and present a safety hazard.

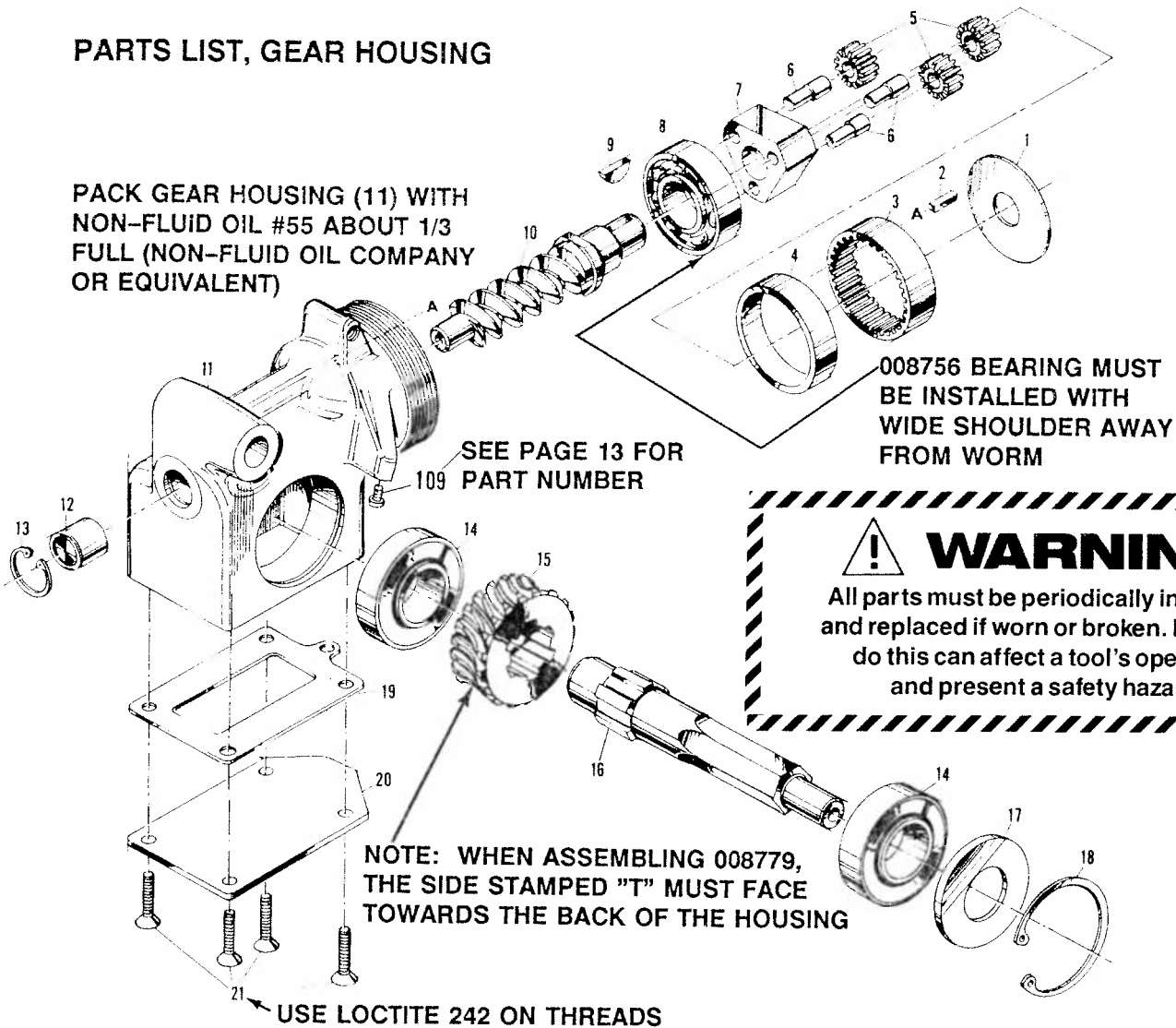
* Apply one drop of Loctite 242 sealant to cleaned parts. Allow 12 hours to set if possible. Do not apply to small screws or close to moving parts as the liquid spreads easily.

PRH

P-186036

PARTS LIST, GEAR HOUSING

PACK GEAR HOUSING (11) WITH NON-FLUID OIL #55 ABOUT 1/3 FULL (NON-FLUID OIL COMPANY OR EQUIVALENT)



WARNING
 All parts must be periodically inspected and replaced if worn or broken. Failure to do this can affect a tool's operation and present a safety hazard.

KEY	QTY.	PART NO.	DESCRIPTION
1	1	008781	Thrust washer
2	1	008872	Ring gear key
3	1	008871	Ring gear
4	1	008769	Spacer
5	3	<u>008766</u>	<u>Idler gear</u>
6	3	<u>008767</u>	<u>Idler pin</u>
7	1	009043	Idler gear plate
8	1	008756	Bearing, Fafnir 7203
9	1	008774	Woodruff key
10	1	008772	Worm
11	1	004157	Gear housing
12	1	008751	Needle bearing
13	1	008752	Truarc ring, 5000-62
14	2	008754	Bearing, Fafnir KP12A
15	1	<u>008779</u>	<u>Worm gear</u>

KEY	QTY.	PART NO.	DESCRIPTION
16	1	008862	Feedwheel shaft
17	1	008869	Cover
18	1	008753	Truarc ring
19	1	008989	Gasket
20	1	008874	Base plate
21	4	008757	Flt. hd. cap scr., #10-24 x 3/4

When ordering parts, please show tool model, part number and description.

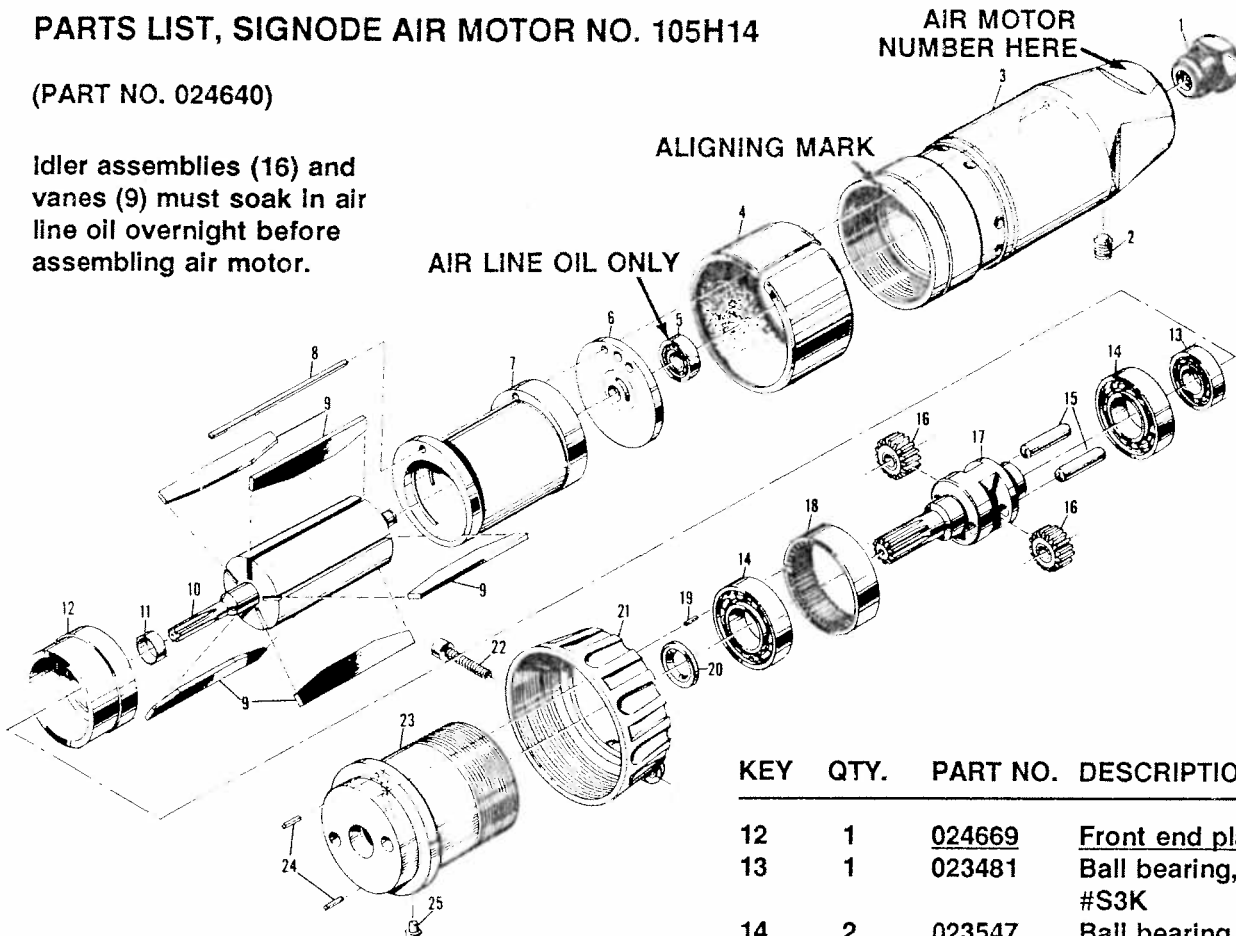
Wearing parts are usually limited to those underlined and should be stocked.

Standard hardware parts may be obtained from any local hardware supply.

PARTS LIST, SIGNODE AIR MOTOR NO. 105H14

(PART NO. 024640)

Idler assemblies (16) and vanes (9) must soak in air line oil overnight before assembling air motor.



Idler assemblies and bearings except for (5) are to be lubricated with Non-fluid oil or equivalent.

Reassemble motor and connect air line at approximately 20 psig. Carefully tighten motor noting an increase in speed at the correct adjustment, about 600 inch lbs. Do not over tighten.

KEY	QTY.	PART NO.	DESCRIPTION
1	1	024631	Filter assembly
2	1	005958	Soc. hd. set screw, 5/16-24 x 1/4
3	1	024641	Motor housing
4	1	024655	Deflector assembly
5	1	<u>024633</u>	<u>Ball bearing, Fafnir #ASIK-SRI #2</u>
6	1	<u>024653</u>	<u>Back end plate</u>
7	1	024652	Cylinder
8	1	023510	Align pin
9	5	<u>024651</u>	<u>Vane</u>
10	1	024668	Rotor
11	1	024602	Spacer

KEY	QTY.	PART NO.	DESCRIPTION
12	1	<u>024669</u>	<u>Front end plate</u>
13	1	023481	Ball bearing, Fafnir #S3K
14	2	023547	Ball bearing, Fafnir #9102K
15	2	<u>023518</u>	<u>Pin, 3/16 x 3/4</u>
16	2	<u>024658</u>	<u>Idler assembly</u>
17	1	024674	Gear Cage
18	1	024659	Ring gear
19	1	023556	Groove pin, 1/16 x 1/4
20	1	023558	Seal, Tros B-44-28-2
21	1	024678	Ring nut
22	1	008731	Soc. hd. cap screw, #10-24 x 3/4
23	1	024671	Gear housing
24	2	023533	Pin, 7/64 x 1/4 Driv-Lok type A3
25	1	020159	Grease fitting Alemite #1877

When ordering parts, please show air motor model, part number and description.

Wearing parts are usually limited to those underlined and should be stocked.

Standard hardware parts may be obtained from any local hardware supply.