

PARTS LIST

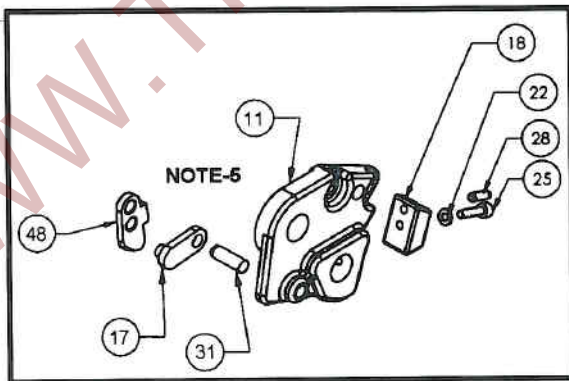
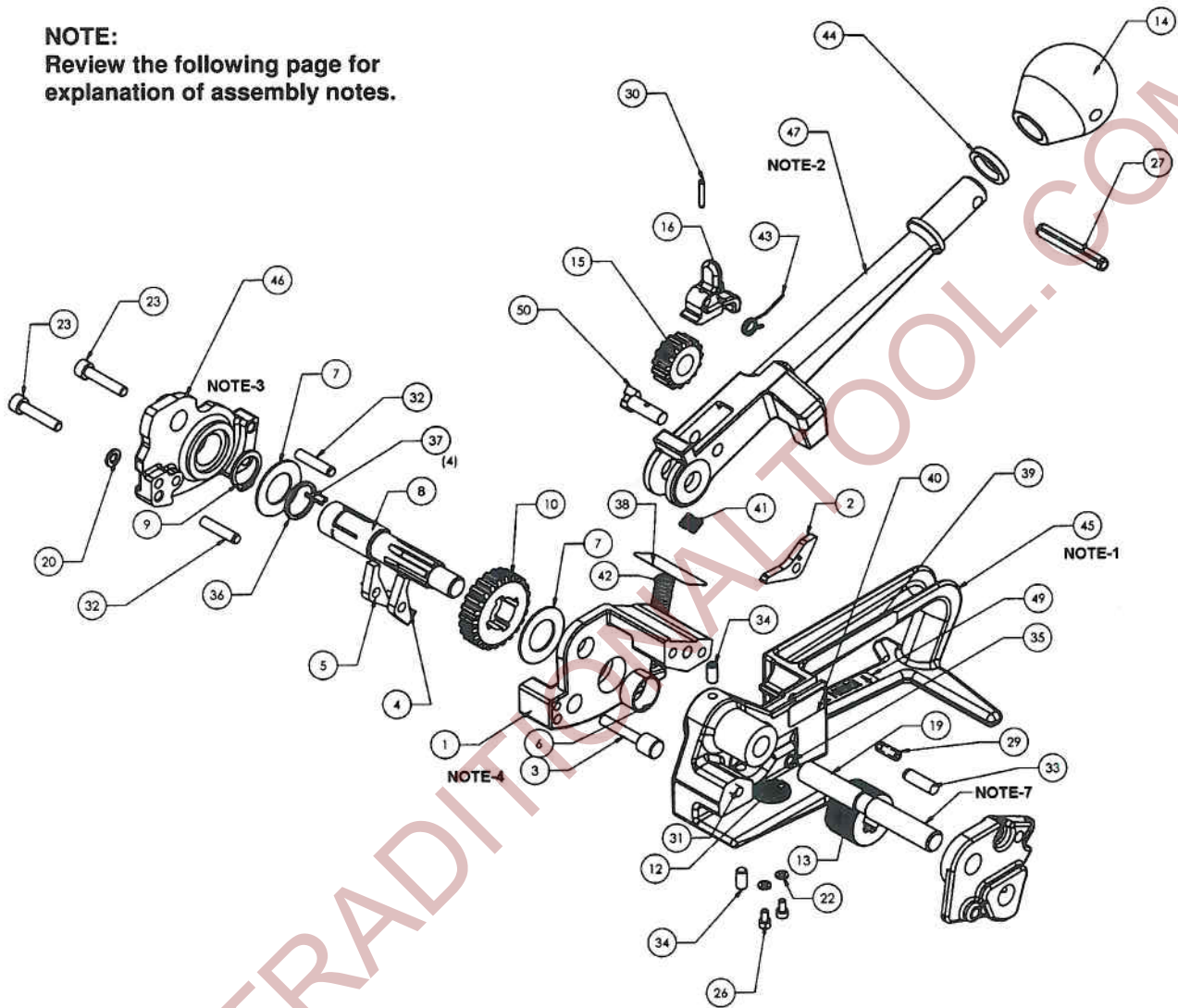
| KEY | QTY | PART NO. | DESCRIPTION |
|------|-----|----------|---------------------------------------|
| 1 | 1 | 426327 | GEAR HOUSING |
| 2 | 1 | 426066 | LIFT ARM |
| 3 | 1 | 426331 | PAWL PIN |
| 4 | 1 | 426313 | SHORT RETAINING PAWL |
| 5 | 1 | 426312 | LONG RETAINING PAWL |
| 6 | 1 | 426325 | DU BUSHING |
| 7 | 2 | 306704 | THRUST WASHER |
| 8 | 1 | 426332 | FEEDWHEEL SHAFT |
| 9 | 1 | 171549 | TRUARC #5160-66 |
| 10 | 1 | 426334 | TENSION GEAR |
| 11 | 1 | 426329 | OUTER LINK (16,19) |
| | 1 | 427444 | OUTER LINK (25) |
| 12 | 1 | 426034 | TENSION GRIPPER |
| 13 | 1 | 426033 | FEED WHEEL |
| 14 | 1 | 010054 | KNOB |
| 15 | 1 | 017912 | PINION GEAR |
| 16 | 1 | 426335 | DRIVE PAWL |
| 17 | 1 | 424120 | LINK |
| 18 | 1 | 426043 | OUTER GUIDE -REAR (16,19) |
| 19 | 1 | 426326 | PIVOT PIN |
| 20 | 2 | 187415 | M5 LOCKWASHER, ZINC |
| 21 | 2 | 010077 | M6 LOCKWASHER |
| 22 | 3 | 162568 | M3 LOCKWASHER, ZINC |
| 23 | 2 | 010031 | M5 X 25 SHCS |
| 24 | 2 | 010037 | M6 X 20 SHCS |
| 25 | 1 | 259935 | M3 X 12 SHCS (16,19) |
| 26* | 2 | 262456 | M3 X 6 SHCS |
| 27 | 1 | 010057 | Ø1/4" X 1-3/4" ROLL PIN |
| 28 | 1 | 006045 | Ø1/8" X 3/8" ROLL PIN (16,19) |
| 29 | 1 | 005768 | Ø3/16" X 1/2" ROLL PIN |
| 30 | 1 | 426067 | Ø3/32" X 5/8" ROLL PIN |
| 31 | 2 | 423493 | Ø5 X 16 DOWEL PIN |
| 32 | 2 | 162391 | Ø5 X 24 DOWEL PIN |
| 33 | 1 | 274385 | Ø6 X 20 DOWEL PIN |
| 34** | 2 | 423969 | M5 X 10 SSS CUP |
| 35 | 1 | 001656 | STRAP GUIDE PIN |
| 36 | 1 | 422658 | QUAD RING |
| 37 | 4 | 426333 | PAWL |
| 38 | 1 | 426344 | NAMEPLATE (PT-16) |
| | 1 | 426346 | NAMEPLATE (PT-19) |
| | 1 | 436394 | NAMEPLATE (PT-25) |
| 39 | 1 | 426342 | INFORMATION SIGN |
| 40 | 1 | 286374 | 2 ICON INFO SIGN |
| 41 | 2 | 426062 | COMPRESSION SPRING, LEE #LC-029B-04MW |
| 42 | 1 | 426064 | COMPRESSION SPRING, LEE #LC-042F-06MW |
| 43 | 1 | 017920 | DRIVE PAWL SPRING |
| 44 | 1 | 426347 | HANDLE RING |
| 45 | 1 | 426348 | BASE |
| 46 | 1 | 426349 | BEARING PLATE |
| 47 | 1 | 426318 | TENSION HANDLE |
| 48 | 1 | 424121 | OUTER GUIDE - FRONT (16,19) |
| | 1 | 426316 | OUTER GUIDE - FRONT (25) |
| 49 | 1 | 426315 | INFO SIGN |
| 50 | 1 | 426352 | DRIVE PAWL PIN |

WARNING
Inspect all parts daily and replace them if they are worn or broken. Failure to do this can affect a product's operation and could result in serious personal injury.

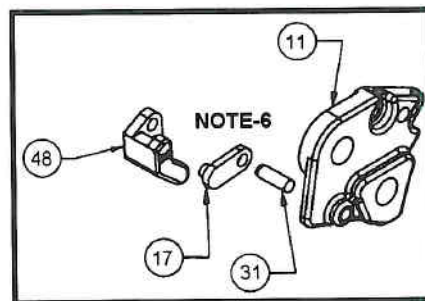
* Use Loctite #222 (Signode Part No. 422794) or equivalent.
** Use Loctite #242 (Signode Part No. 422795) or equivalent.

- When ordering parts please indicate tool model, part number and description.
- Recommended spare parts are underlined and should be stocked.
- Common hardware parts can be obtained at any local hardware supply.
- Lubricate all moving parts with Accrolube Teflon grease or equivalent.

NOTE:
Review the following page for explanation of assembly notes.



16MM & 19MM CONFIGURATION



25MM CONFIGURATION