

OPERATION, PARTS AND SAFETY MANUAL

SIGNODE[®]

**DF-10B, DF-10RW
AND DT1-10RW
STRAP DISPENSERS**

**IMPORTANT!
DO NOT DESTROY**

It is the customer's responsibility to
have all operators and servicemen
read and understand this manual.

Contact your local Signode representative
for additional copies of this manual.

READ ALL INSTRUCTIONS BEFORE OPERATING THIS SIGNODE PRODUCT

SAFETY INSTRUCTIONS

READ THESE INSTRUCTIONS CAREFULLY.
FAILURE TO FOLLOW THESE INSTRUCTIONS CAN RESULT IN SEVERE PERSONAL INJURY.

GENERAL SAFETY CONSIDERATIONS

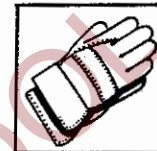
1. EYE INJURY HAZARD.

Failure to wear safety glasses with side shields can result in severe eye injury or blindness. Always wear safety glasses with side shields which conform to ANSI Standard Z87.1.



2. CUT HAZARD.

Handling strap or sharp parts could result in cut hands or fingers. Wear protective gloves.



3. TRAINING.

This dispenser must not be used by persons not properly trained in its use. Be certain that you receive proper training from your employer. If you have any questions contact your Signode Representative.

4. DISPENSER CARE.

Take good care of this dispenser. Inspect and clean it weekly. Replace any worn or broken parts.

5. WORK AREA.

Keep work areas uncluttered and well lighted.

SAFETY PROCEDURES FOR DISPENSER OPERATION

1. Before loading a coil of strap into the dispenser, read the loading and safety instructions.

- Install dispenser properly before using it.
- Maintain proper footing and balance when loading dispenser.
- Do not load dispenser when you are in an awkward position. Use proper lifting techniques when loading a coil of strap into the dispenser.
- When mounting dispensers on wall and/or columns, use the proper Signode suspension brackets.

2. Tuck strap end back into dispenser when not in use.

CUTTING TENSIONED STRAP

Use only cutters designed for cutting strap; never use claw hammers, crowbars, chisels, axes or similar tools. Such tools will cause the strap to fly apart with hazardous force. Before using any Signode product read its operation and safety manual.

Safety instructions in Spanish are available from your Signode Sales Representative.

Su vendedor Signode le puede proporcionar los instructivos de seguridad en español.



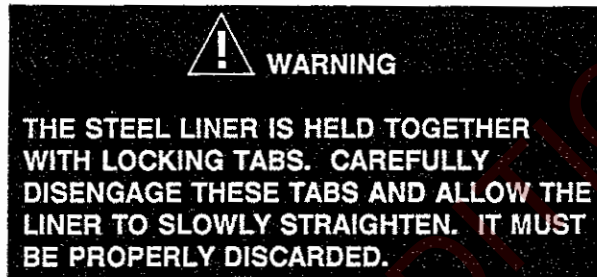
GENERAL

The DF-10B will accept mill wound coils of steel strap 3/8" to 3/4" in width. The DT1-10RW will accept mill wound or ribbon wound coils of steel strap 5/8" to 1 1/4" in width and the DF-10RW will accept mill wound or ribbon wound coils of steel strap 3/4" to 1 1/4" in width.

LOADING AND THREADING INSTRUCTIONS

To load a new coil of steel strap in either the DF10-B, DF10-RW, or DT1-10RW dispenser, follow the steps below:

1. Lay the dispenser down on its back and loosen the wing nut (2) by turning it counterclockwise. Remove the wing nut and the outer disc (1).
2. If applicable, remove the inner steel liner left from the previous coil.



3. Before installing the coil of strap, note the pay-off direction of the lead end. When the coil is mounted, the lead end should point toward the strap troller. As the strap is used the coil and flanges will rotate. The DF-10B will rotate in the counterclockwise direction and the DT1-10RW and the DF-10RW will rotate in the clockwise direction.
4. A new coil of steel strap can now be placed in the dispenser. Before proceeding, observe the warning below:



5. Lower the new coil over the central hub and allow it to settle into the circular indentation on the rear flange.
 6. Position the three coil ties above the three small indentations. These indentations allow the ties to be removed without disturbing the coil.
 7. Cut the tie closest to the lead-end of the strap and remove the cut tie.
 8. The lead end is then threaded through the strap troller, as shown.
 9. Cut and remove the remaining ties. Place the outer cover on the coil, making sure the edge of the cover butts up against the strap troller roller.
- If mounting a coil of mill wound strap in the DF10-RW or the DT1-10RW, make sure the central indentation of the outer cover protrudes outward.
10. Securely tighten the wing nut by turning it in the clockwise direction.

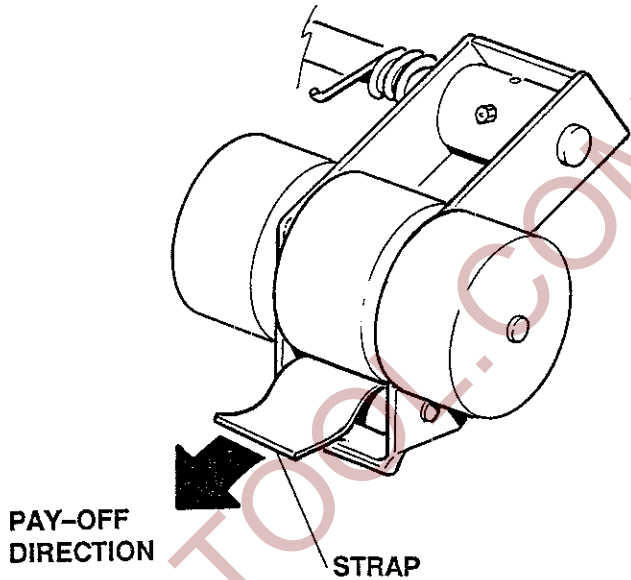


11. When the wing nut is secure, stand the dispenser upright. Turn the lead-end back on itself and tuck it between the two pay-off rollers to prevent personal injury.



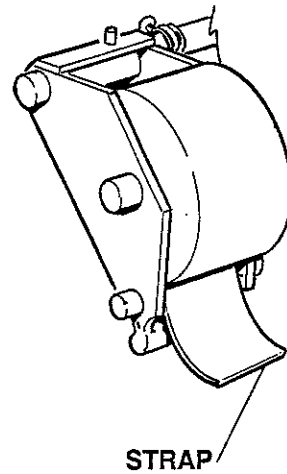
**STRAP TROLLER ASSEMBLY
FOR DF-10B DISPENSER.**

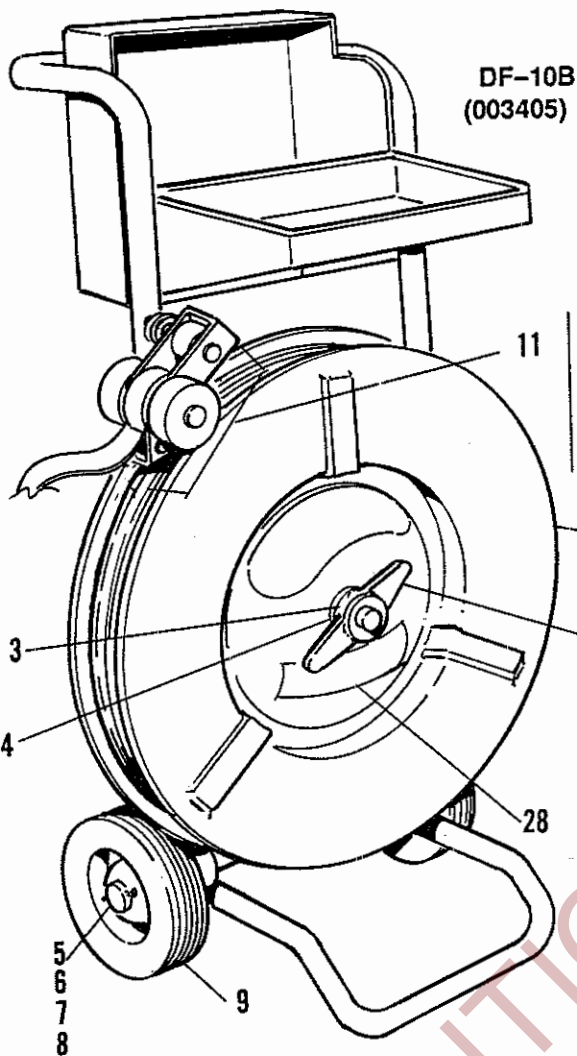
Strap feeds out between
central rollers. Outside
rollers ride on the outer
rim of the inner and outer
reel disc assemblies.



**STRAP TROLLER ASSEMBLY
FOR DT1-10RW AND DF-10RW
DISPENSERS.**

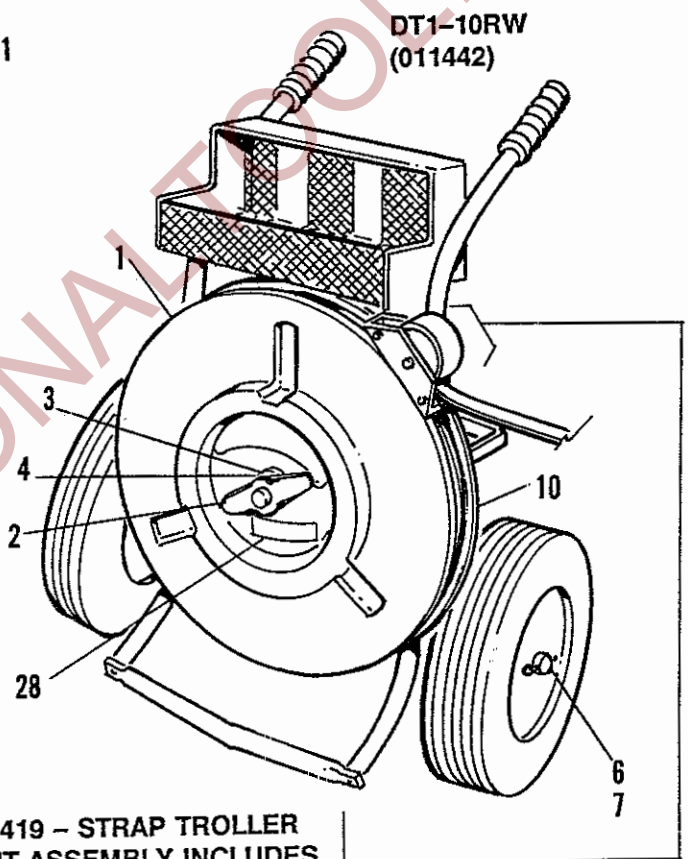
The one roller feeds out
the strap and also rides
on the outer rim of both
the inner and outer reel
disc assemblies.



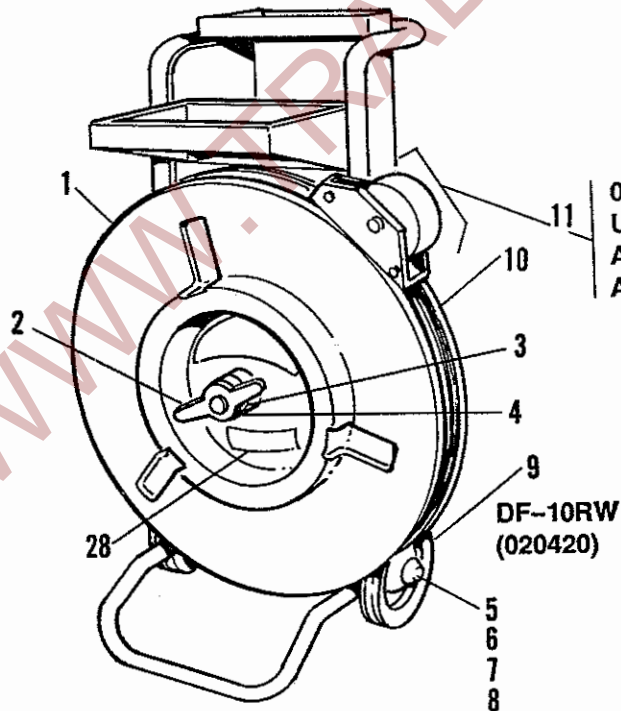


DF-10B
(003405)

002885 - STRAP TROLLER
UNIT ASSEMBLY INCLUDES
ALL PARTS ILLUSTRATED
ABOVE EXCEPT KEY NOS.
19, 20, 21, AND 22.



DT1-10RW
(011442)



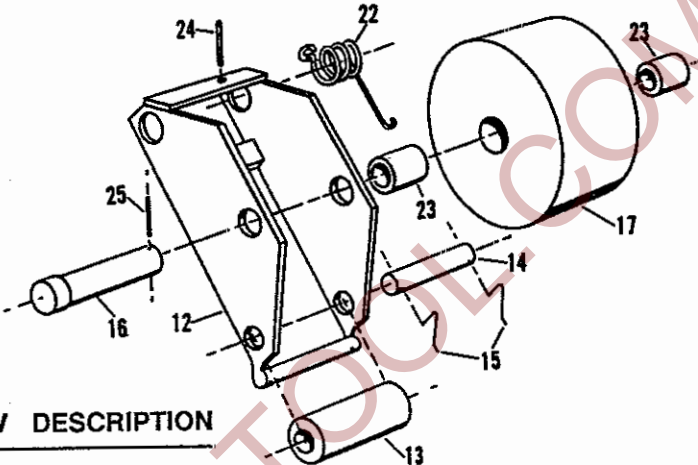
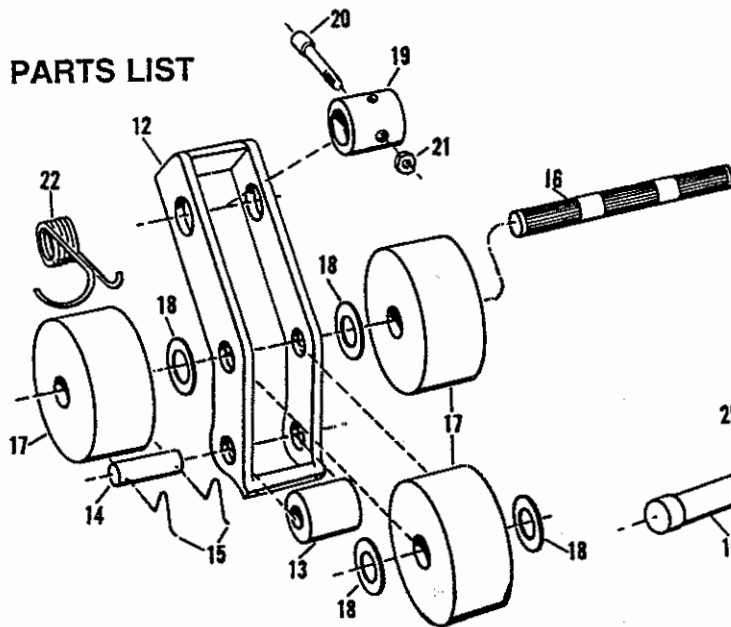
020419 - STRAP TROLLER
UNIT ASSEMBLY INCLUDES
ALL PARTS ILLUSTRATED
ABOVE EXCEPT KEY NO. 22.

DF-10RW
(020420)



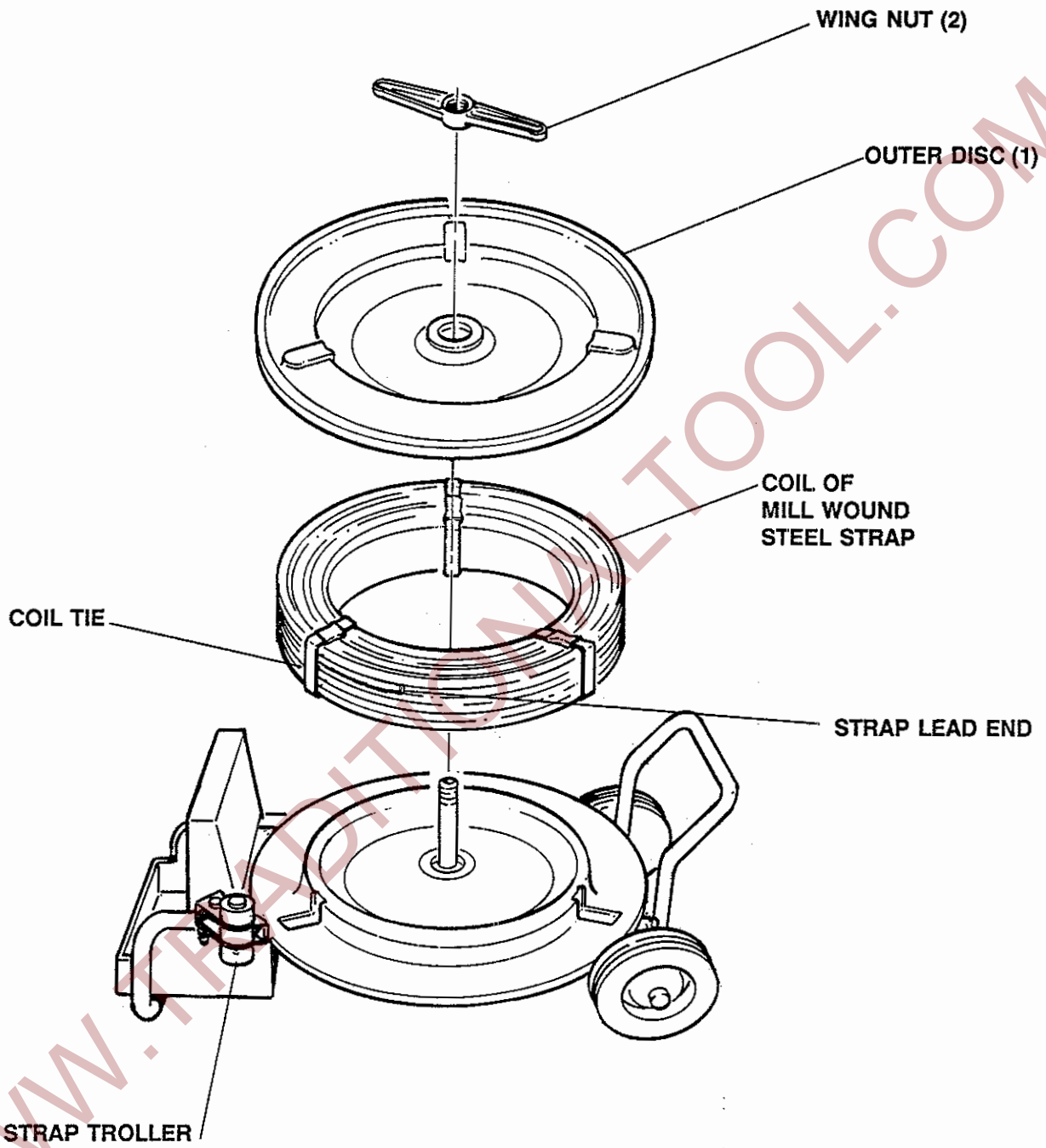
PARTS LIST

! WARNING
 All parts must be periodically inspected and replaced if worn or broken. Failure to do this can affect the tool's operation and present a safety hazard.



KEY	QTY.	DF-10B	DF-10RW	DT1-10RW	DESCRIPTION
1	1	003445	020424	020424	Reel disk assembly
2	1	002897	002897	002897	Nut
3	1	003449	003449	003449	Washer
4	1	009074	009074	009074	Roll pin, 3/16" x 1 1/8"
5	2	003389	003389	—	Hub cap
6	2	009072	009072	—	Cotter pin, 1/8" x 1"
6A	4	—	—	011448	Cotter pin, 1/4" x 1 3/4"
7	6	001255	001255	—	Washer
7A	4	—	—	011445	Washer
8	1	003392	003392	011447	Axle
9	2	003393	003393	011444	Wheels
10	1	003410	020438	020438	Hub reel disk assembly
11	1	002885	020419	020419	Strap troller assembly
12	1	003420*	020432*	020432*	Roller frame assembly
13	1	003422*	020426*	020426*	Pressure wheel
14	1	002882*	020427*	020427*	Pressure wheel pin
15	2	002881*	002881*	002881*	Pressure wheel spring
16	1	003416*	020429*	020429*	Roller shaft
17	3	003417*	020428*	020428*	Contact roll
18	4	003418*	—	—	Washer
19	1	003409	—	—	Roller frame retainer
20	1	003438	—	—	Stop pin
21	1	002099	—	—	Hex nut
22	1	003379**	020431	020431	Spring
23	2	—	020434*	020434*	Oillite bearing
24	1	—	009074*	009074*	Roll pin, 3/16" x 1 1/8"
25	1	—	006737*	006737*	Roll pin, 5/32" x 1"
26	2	—	—	013144	Handle grip
27	1	003364	002433	011449	Identification label
28	1	172611	172611	172611	Caution plate

*These parts are included in Strap troller assembly, item number 11.
 **For original models DF-10A order 003407 Spring.
 When ordering, please show model, part number and name.



NOTE: DISPENSER,
MODEL DF-10B, SHOWN

