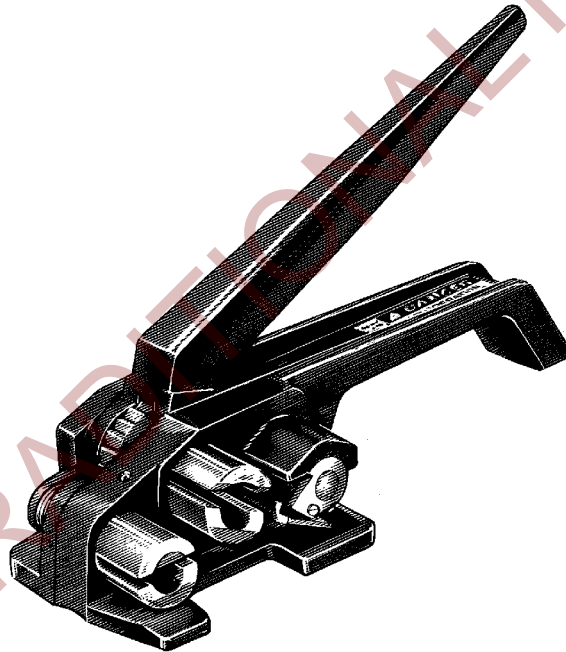


SIGNODE[®] *READ ALL SAFETY INSTRUCTIONS BEFORE
OPERATING THIS SIGNODE PRODUCT*
OPERATION, PARTS AND SAFETY MANUAL

WTD-2 MANUAL STRAP TENSIONER
FOR USE WITH PLASTIC STRAPPING ONLY
Part No. 260060



TOOL SPECIFICATIONS

STRAP TYPE	WIDTH	THICKNESS
Dymax, Contrax, Tenax	1/2"(12mm)	.015"(0.38mm) to .030"(0.76mm)

IMPORTANT - DO NOT DESTROY THIS MANUAL. It is the customer's responsibility to have all operators and service personnel read and understand this manual. Contact your local Signode representative for additional copies of this manual.

WARNING

READ THESE INSTRUCTIONS CAREFULLY. FAILURE TO FOLLOW THESE INSTRUCTIONS CAN RESULT IN SERIOUS PERSONAL INJURY.

STRAP BREAKAGE HAZARD

Improper operation of the tool or sharp corners on the load can result in strap breakage during tensioning, which could result in the following:

- ! A sudden loss of balance causing you to fall.
- ! Both tool and strap flying violently towards your face.

Failure to place the strap properly around the load or an unstable or shifted load could result in a sudden loss of strap tension during tensioning. This could result in a sudden loss of balance causing you to fall.

- ! If the load corners are sharp use edge protectors.
- ! Positioning yourself in-line with the strap, during tensioning and sealing, can result in severe personal injury from flying strap or tool. When tensioning or sealing, position yourself to one side of the strap and keep all bystanders away.

TRAINING

This tool must not be used by persons not properly trained in its use. Be certain that you receive proper training from your employer. If you have any questions contact your Signode Representative.

EYE INJURY HAZARD

Failure to wear safety glasses with side shields can result in severe eye injury or blindness. Always wear safety glasses with side shields which conform to American National Safety Institute standard Z87.1 or Euro Norm 166.



FALL HAZARD

Maintaining improper footing and/or balance when operating the tool can cause you to fall. Do not use the tool when you are in an awkward position.

CUT HAZARD

Handling strap or sharp parts could result in cut hands or fingers. Wear protective gloves.



TOOL CARE

- ! Inspect and clean the tool daily. Replace all worn or broken parts.
- ! Lubricate all moving parts weekly unless otherwise specified.

WORK AREAS

Keep work areas uncluttered and well lighted.

Use correct Signode products for your application. If you need help contact your Signode Representative.

Signode tools and machines are designed and warranted to work together with Signode strapping and seals. Use of non-Signode strap and seals and/or manufactured or specified replacement parts may result in strap breakage or joint separation while applying strapping to a load or during normal shipping and handling. This could result in serious personal injury.

SAFETY PROCEDURES FOR TOOL OPERATION

- ! Before using this tool, read its Operation and Safety Instructions contains in this manual.
- ! Tuck strap end back into the dispenser when not in use.

JOINT FORMATION

Never handle or ship any load with improperly formed joints. Misformed joints may not secure the load and could cause serious injury. Follow the joint inspection procedures in each sealers manual.

MOVING AND STACKING STRAPPED LOADS

Before moving or stacking any strapped load, follow all standard industry practices regarding safe material handling procedures.

CUTTING TENSIONED STRAP

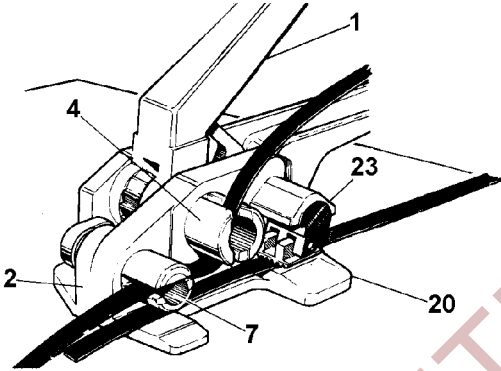
Using claw hammers, crowbars, chisels, axes or similar tools will cause tensioned strap to fly apart with hazardous force. Use only cutters designed for cutting strap. Read the instructions in the cutter's manual for proper procedures in cutting strap. Before using any Signode product read its Operation and Safety Manual.

OPERATING INSTRUCTIONS

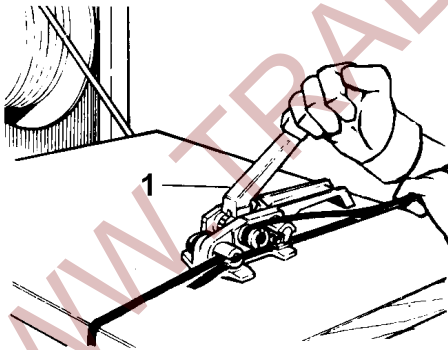
WARNING

- ! Wear safety glasses which conform to American National Safety Institute Standard Z87.1 or Euro Norm 166.
- ! Stand to one side of the strap while tensioning. Make sure all bystanders are clear before proceeding.
- ! Do not pull the tension handle to the rear while tensioning so as to contact the gripper cam. Doing so will cause the tensioned strap to release.
- ! Failure to follow the above could result in serious personal injury.

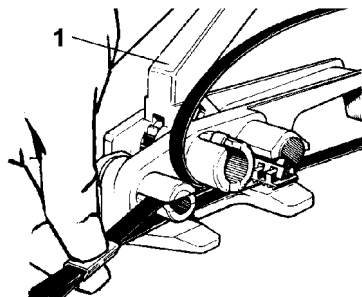
1. Place the strap around the package. Squeeze the tension handle (1) against the tensioner frame (2), thus raising the gripper (23). Insert the bottom strap between the tensioner frame and under the cutter sleeve (7), also between the gripper plug (20), and the gripper. Leave approximately 3 inches of strap protruding from the front end of the tool and release the tension handle (1).
2. Slide the top strap through the strap slots in the cutter sleeve (7), and windlass (4). The strap is ready to be tensioned.



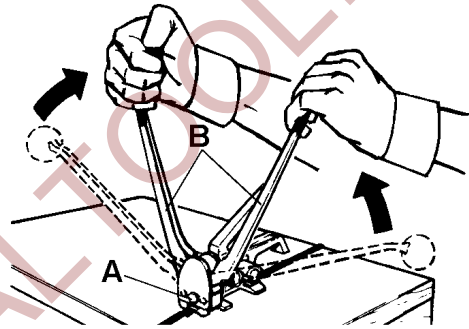
3. Stand to one side of the strap line and, while guiding the strap and tool, operate the tension handle (1), back and forth until the desired tension level is achieved.



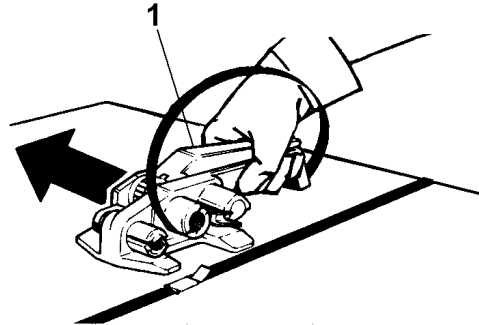
4. When the desired tension is achieved, place the tension handle in a rest position and fit an open seal over the top and bottom straps.



5. Using the D-504 or D-506 sealer (A), with the handles (B), in the fully open position, crimp the seal by placing the jaws of the sealer over the seal and pushing the handles together.



6. Fully squeeze the tension handle against the tensioner frame, thus cutting the strap at the seal. While squeezing the handle, slide the tool away from the completed tie.

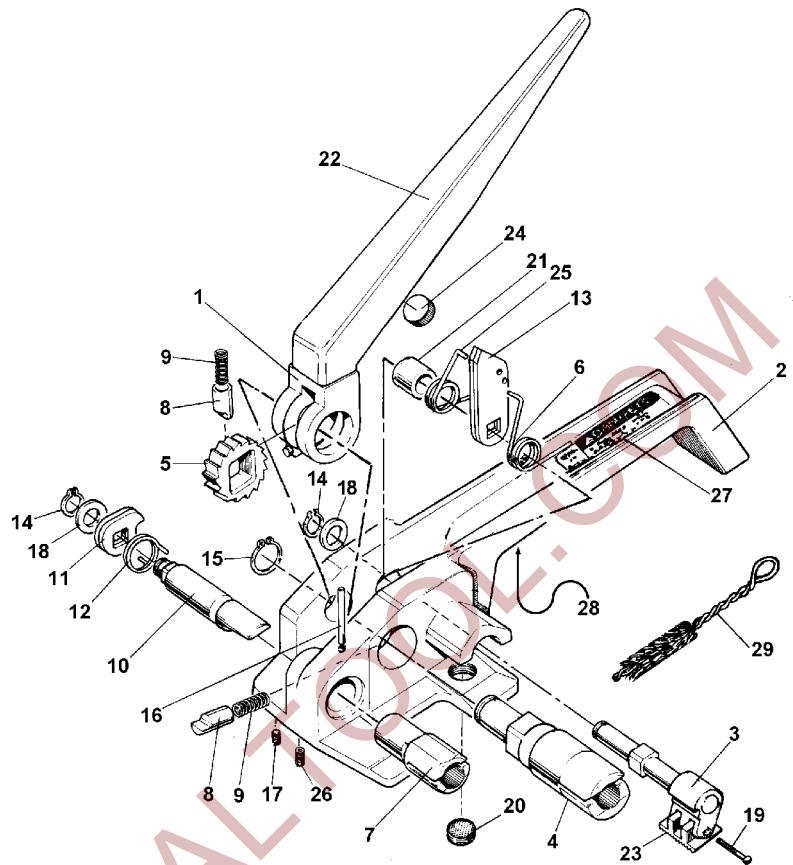


WARNING

NEVER HANDLE OR SHIP ANY LOAD WITH IMPROPERLY FORMED JOINTS. Misformed joints may not secure the load could cause serious personal injury. Follow the joint inspection procedures in each sealer's manual.

PARTS LIST, WTD-2 (260060)

KEY	QTY.	PART#	DESCRIPTION
1	1	260058	Handle
2	1	424266	Housing base
3	1	260062	Gripper shaft assy.
4	1	<u>260063</u>	<u>Windlass</u>
5	1	260064	Ratchet wheel
6	1	260066	Gripper spring, LH
7	1	424267	Cutter sleeve
8	2	260068	Ratchet stop
9	2	260069	Ratchet spring
10	1	<u>424268</u>	<u>Cutter</u>
11	2	260071	Cutter cam
12	1	260072	Cutter spring
13	2	260073	Gripper cam
14	2	171676	Retaining ring
15	1	074189	Retaining ring
16	1	171678	Roll pin
17	1	260077	Soc. head set screw
18	2	260078	Washer support
19	1	260079	Gripper screw
20	1	260080	Gripper plug
21	1	260081	Spacer
22	1	260082	Plastic sleeve
23	1	260083	Gripper
24	1	260084	Lever stud
25	1	260085	Gripper spring, RH
26	1	260086	Set screw
27	1	260087	Caution sign
28	1	260088	Information sign
29	1	023963	Brush



NOTES:

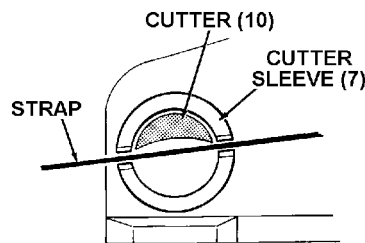
1. When ordering parts, please show tool model, part number and name.
2. All recommended spare parts are underlined and should be stocked.
3. Standard hardware parts may be obtained from local hardware suppliers.

WARNING

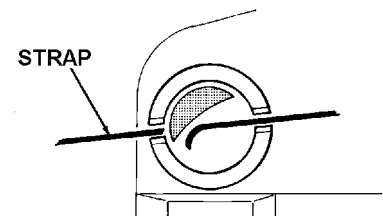
Inspect all parts daily and replace them if they are worn or broken. Failure to do this can affect a product's operation and could result in serious personal injury.

CUTTER CAM

The cutter (10), must be properly adjusted if the strap is to be cut from the supply when sealing is complete. Note the views to right. The cutter rotates within the cutter sleeve. When properly adjusted, the cutter is parallel to the slot in the cutter sleeve when the tension handle is in a rest position. Fully squeeze the tension handle against the tensioner frame. The cutter must rotate about 30 degrees and cover the left hand slot.



Cutter position, with tension handle is rest position.



Tension handle full closed against tensioner frame. Cutter rotated about 30 degrees, strap severed.

GRIPPER PLUG

Rotate the gripper plug (20), in or out, as needed, until the teeth of the plug are either flush with the base surface of the tensioner frame or .005" above the base surface. Once adjusted, stake the plug into position.

MAINTENANCE

Clean and apply a light weight machine oil to all moving parts on a weekly basis. Clean the gripper (23) and gripper plug (20) daily with a wire brush (29). Debris accumulated in the teeth of either the gripper or the gripper plug must be removed with a small wire brush. A need to clean the teeth will become apparent when the lower straps slips through the gripper during tensioning.