

# POLYCHEM

OPERATION MANUAL – SPARE PARTS LIST

## B1000

BATTERY POWERED PLASTIC STRAPPING TOOL



**READ ALL INSTRUCTIONS BEFORE OPERATING THE TOOL**

Ed. 01/12

## TABLE OF CONTENTS

- 1) Safety instructions
- 2) Technical data
- 3) Warranty and liability
- 4) Installation-accessories
- 5) Operating elements / adjustments
- 6) Operation
- 7) Servicing and cleaning
- 8) Troubleshooting
- 9) Layout – spare parts list

### 1) SAFETY INSTRUCTIONS



#### **READ THE OPERATING INSTRUCTIONS CAREFULLY**



#### **WEAR EYE, FACE, AND HAND PROTECTION WHEN OPERATING THE TOOL.**



#### **GENERAL SAFETY INSTRUCTIONS :**

The tool must be used by properly trained people. Failure to follow the operating instructions or improper use could cause strap breakage, injuries, or package damages.

Check tool daily, do not use tool with worn or damaged parts. Use original spare parts for replacement. Never modify any tool part.

Do not put fingers, hands or other body parts between the strap and package during the cycle.

It is your responsibility to check the seal joints made by your tool. Training about the weld time adjustment will be useful to check the seal quality in order to avoid severe injury. Never move goods with bad quality seals. Only use specific strap dispenser to dispense the strap. Keep your working area clean and always use the tool in good balance and safety conditions. Never use straps as a means of pulling or lifting goods.

Always use a proper safety strap cutter and keep other people and yourself at a safe distance from strap, always stand to side of strap, away from direction of strap trajectory once cut. Hold the upper strap portion and pay attention that the lower strap will snap forward away from you.

Improper operation, excessive tensioning, use of non recommended strap, or sharp corners on the package could cause a loss of strap tension and/or strap breakage that could lead to packaging failure or injury. The following is recommended; use edge protectors if package has sharp corners, place the strap correctly around a properly positioned package, stand in safety position (on one side of strap) during strapping cycle, and use the correct strap quality, width, thickness, and break strength as recommended in this manual.

Please save this manual, as it is a part of the tool. This tool is manufactured without any substances which could be dangerous to health. National instructions must be observed for disposal of all the parts.

## 2) TECHNICAL DATA

TOOL SIZE				
Length:				12.4"
Width:				5.5"
Height:				7.2"
Weight with battery:				8.4 lbs
POWER REQUIREMENT				
Battery				14.8V - 3A/h LI-PO
PERFORMANCES				
Max.Tension force:				5000N
Tensioning speed:				12mt/m
Sealing:				Friction weld seal
Joint strength:				80% plastic strap strength*
Level sound emission. Measurement type A (2003/10/CE)				81 dB (A)
Vibrations at handle (2002/44/CE)				2.2 ms <sup>2</sup>

\* depends of strap quality

**Working temperature:** The tool should be used between 0C° (32F) and +45C° (+113 F). When using in low temperatures the display may signal low battery. In this case insert the battery for 2 mins. in charger for a "refreshing".

### CHART OF TYPES

ITEM	MODEL	STRAP	THICKNESS
T239997	B1000 - 5/8"-3/4"	PET - 5/8"	0.041"
		PET - 3/4"	0.031" - 0.050

#### 4) INSTALLATION / ACCESSORIES

The LI-PO (Lithium-Polymer) battery comes fully charged. In order to begin, insert the battery in the tool until it locks in place with the security lever. Illustrated in the following figure.



SECURITY LEVER

#### TOOL ACCESSORIES

**IT IS RECOMMENDED TO ONLY USE POLYCHEM ACCESSORIES**

##### **BATTERY:**

**SAFETY INSTRUCTIONS:** Only use the battery for our strapping tool and only recharge it with our battery charger. If used for other purposes or applications our warranty will be void. Failure to follow the operating instructions or improper use could cause injuries and battery damage.

The battery is supplied fully charged. The lithium polymer rechargeable battery can be charged at any time without reducing its service life; interrupting the charging procedure does not cause damage. To use and charge the battery, please follow the operating instructions.

Check battery daily; do not use it with worn or damaged parts.

Do not disassemble it, never modify any part, do not connect the positive (+) and negative (-), it may result in a short circuit. Do not transport or store the battery with metal objects. Do not try to charge it with a different charger. Do not put metal keys between contacts. Do not use the battery for purposes other than those specified.

**Battery must not be left in charging mode without supervision.**

Do not throw the battery into a fire, do not store at high temperature or direct sunlight, and do not put in microwave oven or a pressure cooker. Keep it away from any exposed flame. Do not dip the battery in water, and protect it from humidity. Do not apply impact to the battery, or throw, drop, drill it. In case of smoke or fire immediately stop using it and replace it.

In case electrolyte comes into contact with eyes or hands, immediately rinse thoroughly with clean water and consult a physician.

The battery must be recycled or disposed of in an environmentally friendly way. Defective or dead batteries must be recycled according to national / local guidelines.

**TECHNICAL DATA :** Li-Po (Lithium-Polymer) 14.8V – 3.0 Ah Weight : 1 lb. Part # - B800BAT  
Charge time is 30 min. Operating environment charging and discharging: **0C° (32F) and +45C° (+113 F)**



SERIAL NUMBER

## **BATTERY CHARGER:**

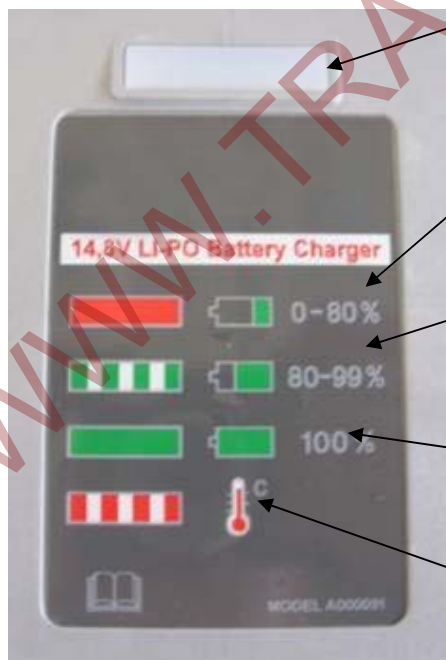
**SAFETY INSTRUCTIONS:** Only use the charger to charge our lithium polymer battery. If used for other purposes or applications the warranty and liability is void. The charger should be used by properly trained people. Failure to follow the operating instructions or improper use could result in injuries or battery damage. Check charger and main supply cable daily; do not use it with worn or damaged parts. Do not disassemble it or modify any part. Check the contacts before using. Do not put metal keys between contacts. Do not use for purposes other than those specified. **BATTERY MUST NOT BE LEFT IN CHARGING MODE WITHOUT SUPERVISION**. Do not store at high temperature, direct sunlight, do not cover fan clefts. Do not dip it in water and protect from humidity. Do not apply impact, or throw or drop or drill it. In case of fire or smoke immediately stop using and replace it. Place the charger on flat, non flammable and heat resistant surface. Keep away from any volatile and flammable substance. Disconnect from main power supply when not in use. Service should be done by authorized dealers. The Charger must be recycled or disposed of in an environmentally friendly way according to the national / local guidelines.

**CHARGING PROCESS:** Put the battery into the charger correctly (do not invert the polarity), the charge will start automatically and the signalling led becomes RED. It will remain in this condition up to 80% of the charge then the signalling led will become blinking GREEN, this indicates the charge is 80% to 99% complete. The charging process is complete when the signalling led is solid GREEN; remove the battery from charger.

**FAILURE:** If the signaling led is blinking RED it indicates that the temperature of the battery is not sufficient for charging or its voltage is lower than 10.4V and therefore the battery will not charge. Let the battery return to normal temperature and try again. If the charge does not start contact the service center.

**TECHNICAL DATA:** PART # - 400CHG Input : 110V - 230V – 50/60Hz – 80W Output : 16V – 5A

**ATTENTION:** This battery charger is only used with Li-Po 14.8V batteries.



**LED OF SIGNALLING**

**RED LED: BATTERY CHARGING – LEVEL 0 TO 80%**

**BLINKING GREEN LED: BATTERY CHARGING – LEVEL 80% TO 99%**

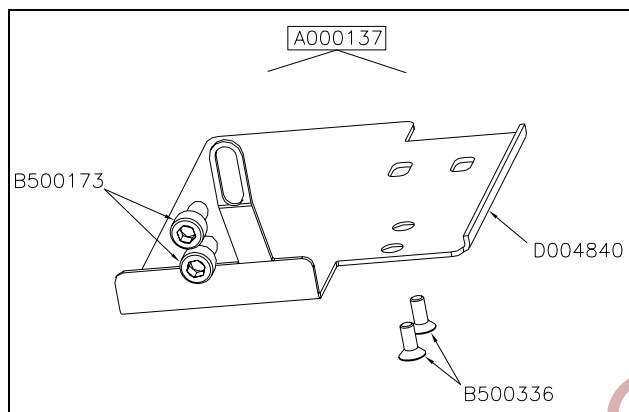
**GREEN LED: CHARGE COMPLETE**

**BLINKING RED LED: BATTERY DEFECTIVE / DAMAGED**

**NOTE: REMOVE THE BATTERY FROM THE CHARGER ONCE THE CHARGE IS COMPLETE.**

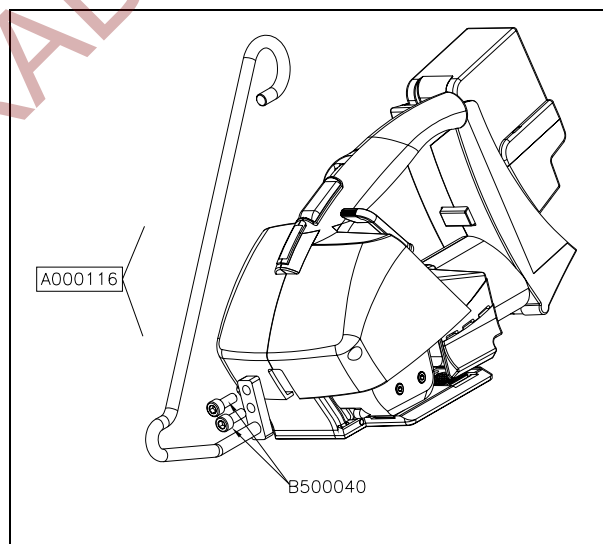
### **WEARING PLATE:**

The tool can be equipped with a stainless steel plate to protect the base against excessive wear when using it on abrasive surfaces like bricks, concrete, stones, etc ... The part number for the kit is 401-0251.



### **SUSPENSION HOOK:**

The tool can be equipped with a two position suspension hook (horizontal or vertical). The hook is fixed to the tool by two screws (see picture below). The part number for the hook is 401-2130.



## 5) OPERATING ELEMENTS AND ADJUSTMENTS

**DO NOT OPERATE THE TOOL WITHOUT STRAP, YOU COULD DAMAGE THE FEEDWHEEL AND THE WELDING / CUTTING GROUP**



LED OF SIGNALLING	
AMBER	TOOL IN OPERATION
AMBER BLINKING	TOOL IN STAND-BY

### **Programming (pic.A):**

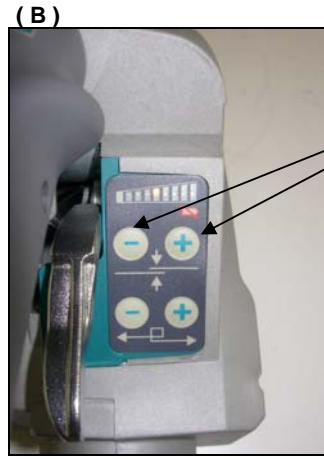
In order to make adjustments (welding/cut and tension) first push the tension button with the feed wheel open to activate the board. Then at the same time press the S+ (Welding) and T+ (Tension) keys for approximately 10 sec. like illustrated in pic.A. This will illuminate the LED that indicates the value of the welding time, in order to switch to the tension adjustment you must press the T+ or T- key.

### **Welding - cutting time adjustment (pic.B):**

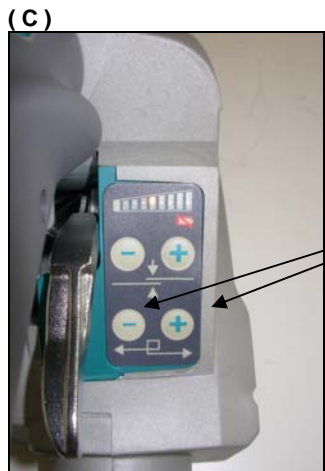
The welding/cut time can be adjusted by pressing on the S+ or S - key depending on the quality and the dimensions of the strap. Pressing the + key will increase the welding time, pressing the - key will decrease the welding time. After 10 sec. the data will be stored into the memory of the card.

### **Adjusting strap tension (pic.C) :**

The tension of the strap can be adjusted by pressing on the T+ or T - key depending on the quality and the dimensions of the strap. Pressing the + key will increase the tension level, pressing the - key will decrease the tension level. After 10 sec. the data will be stored into the memory of the card.



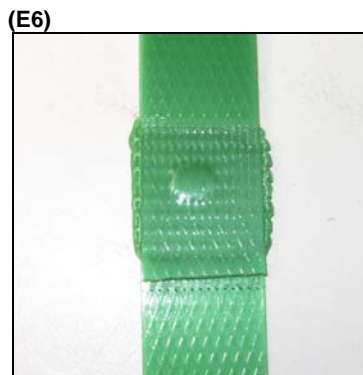
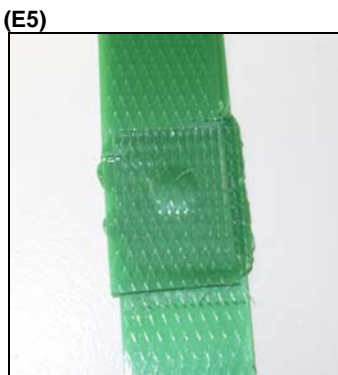
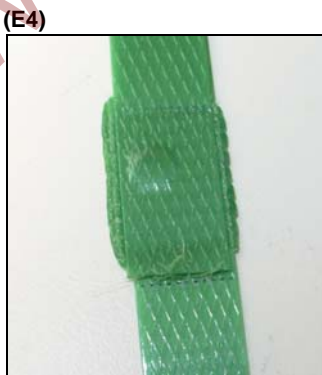
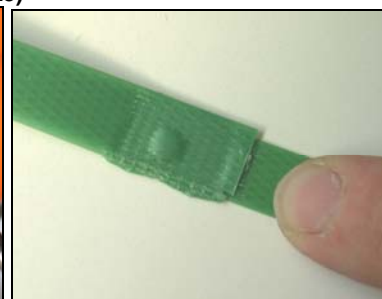
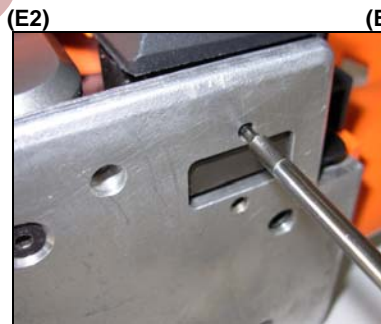
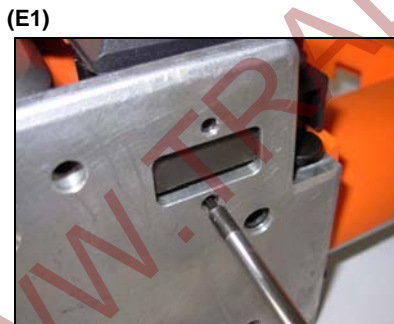
WELDING ADJUST KEYS



TENSION ADJUST KEYS

**Adjusting welding area:**

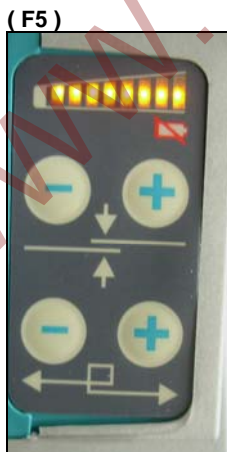
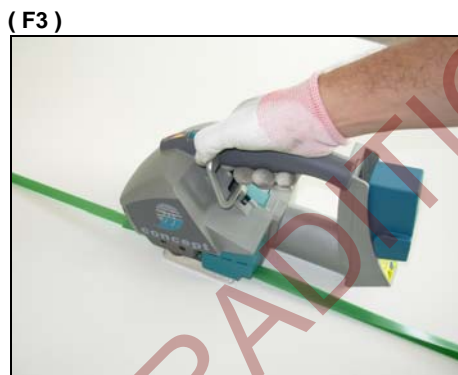
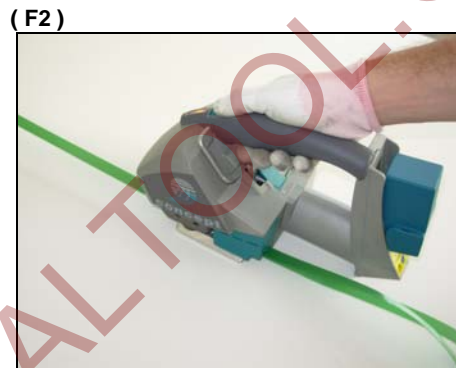
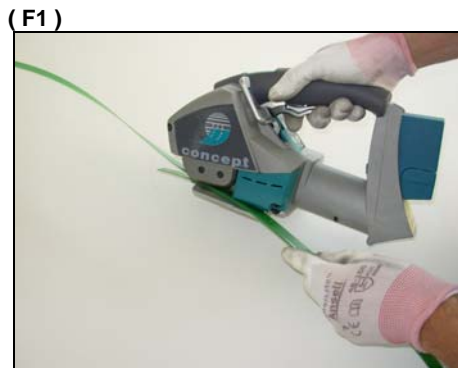
Adjust the screws for uneven welds(pic.E1-E2).If the weld is mostly on the external strap side (pic.E3) slightly unscrew the external screw or slightly screw in the internal screw for a uniform weld(pic.E4). If weld is mostly on the internal strap side(pic.E5) slightly unscrew the internal screw or slightly screw in the external screw for a uniform weld(pic.E6).





## 6) OPERATION

Put the strap around the package as shown (fig. F1). Overlap the straps with the lead end on the bottom and hold the straps in left hand (make sure the strap is clean, & oil & grease free); to open the tool squeeze the release lever. Insert the straps in the tool making sure they are overlapped and aligned against the strap guides (fig. F1). Press the tension button to start tensioning, when the desired tension is obtained release the button (After reaching tension the tension button can be depressed up to 3 more times before the welding must be initiated) (fig. F2). To start the welding, pull the welding lever. The tool will now weld and cut the strap and cool the weld (fig. F3). **AFTER** the amber LED lights up and the ringing sound of the tool that indicates the end of the welding cycle, it is possible to remove the strap (fig. F4). Damage may be caused to the tool and strap if the tool is opened before the ringing sound is made. After welding, the LED on the keypad shows the level of the battery charge remaining. Example: charged battery (fig. F5) – battery nearly discharged with approximately 2 cycles left (fig. F6). The last 2 bars on the right indicate the battery is discharged (fig. F7). To replace the battery or to recharge the same one, remove the battery from the tool by depressing the release key and pulling the battery upwards (fig. F8).



## Seal check:

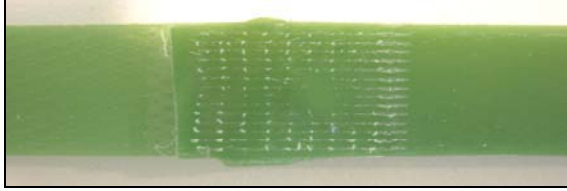
A regular seal quality control is very important and it can be examined visually as follows:

**G1)** short sealing time/ not enough

**G2)** right sealing time/ correct

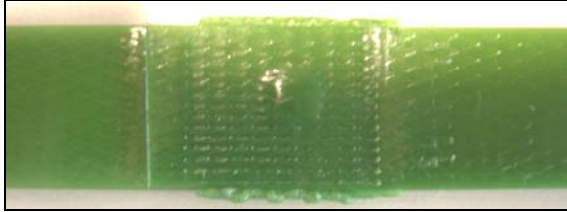
**G3)** too long sealing time/ wrong

**( G1 )**



**NO – seal strength insufficient**

**( G2 )**



**Yes -- right**

**( G3 )**



**NO – seal strength affected**

## **7) SERVICING - CLEANING**

**BEFORE PERFORMING ANY SERVICE ON THE TOOL, REMOVE THE BATTERY FROM THE TOOL**

Periodically clean the tool from strap dust, particularly the feed wheel, the gripper plates and the cutter by using compressed air.

### **Bottom plate gripper replacement**

To change the gripper plate continue as follows:

Remove front strap guide (fig. **H1**), remove two gripper screws (fig. **H2**), remove the gripper plate (fig. **H3**). Install new gripper plate and reassemble in reverse order.

**(H1)**



**(H2)**



**(H3)**



## **Welding foot replacement**

To change the welding foot continue as follows:

Remove screw and cover (pic. L1), remove the oscillating foot pin (pic. L2) remove the foot with the aid of one clamp and replace it (pic. L3). Reassemble in reverse order.

(L1)



(L2)



(L3)



## **8) TROUBLESHOOTING**

### **PROBLEM**

### **REMEDY**

#### **After inserting the battery and pushing the tension button the tool doesn't work**

Check the battery contacts in the rear of the tool and / or if there are disconnected wires  
Check the microswitch under the push button – check the battery charge status (led lights on keyboard)

#### **The tension of the strap is too low on the package**

Check tension value on keypad; Check the battery charge / efficiency  
Check if the tension motor is damaged or worn out ( contact the after sale service)  
Check the gearbox ( contact the after sale service)  
Check the electronic card (contact the after sale service)

#### **The feedwheel slips and mills strap**

Check if the feedwheel and grippers are dirty or damaged. Adjust the motor power—too much tension force.  
Check if the strap qualities are right for the strapping tool and application

#### **The strap is breaking during tension**

Adjust the tension—it may be too high. Check if the strap qualities are right for the strapping tool and application. Check for sharp edges on the package.

#### **The seal is not aligned**

Adjust the motor power—too much tension force. Check if the strap qualities are right for the strapping tool and application. Check strap size and adjust the guides. Check the alignment.

#### **The lower strap isn't locked between the gripper and feedwheel so the tool walks during the tension**

Check if the gripper is dirty or damaged. Adjust the tension value for the quality of strap.

#### **Tensioning problem—the strap relaxes after tensioning**

Check for damage to feed wheel or the locking mechanism ( contact the after sale service)

<b>The sealing isn't enough; the upper strap isn't completely cut; the cutting isn't constant</b>
<p>Check the sealing time, may be too short, adjust it on keypad</p> <p>Check if the sealing foot and / or the cutter are damaged or worn out — perform maintenance</p> <p>Check if the sealing foot is dirty or slips on strap</p> <p>Check if the strap relaxes after tensioning</p> <p>Check the battery charge / efficiency</p> <p>Check if the strap qualities are right for the strapping tool and application</p> <p>Check if the sealing motor is worn out (contact the after sale service)</p> <p>Check the electronic cards (contact the after sale service)</p>
<b>Too much seal time; the strap is breaking during the sealing – cutting</b>
<p>Improper weld timing adjustment, may be too long, adjust it.</p>
<b>Both straps are cut during the sealing cycle</b>
<p>Check if the gripper plate (under the sealing foot) is dirty or damaged (clean or replace it)</p> <p>Check if the strap is over tensioned. Improper weld time adjustment, may be too long, adjust it.</p>
<b>The motor doesn't start when the sealing lever is activated</b>
<p>Check if the welding start microswitch is worn out, or the welding cam doesn't touch the switch.</p>
<b>After the cycle it is impossible to remove the tool from the package and the opening lever is too hard to move</b>
<p>Check if the opening group is working or is locked (when you squeeze the opening lever the strap tension should be released ) (contact the after sale service)</p> <p>Check the gearbox (contact the after sale service)</p> <p>Check if there are some defective parts in the opening lever group and / or mechanical obstructions.</p>
<b>It is difficult to adjust the tension or welding time, doesn't stay consistent</b>
<p>There are probably keyboard or electronic card problems / (contact after sale service)</p>
<b>Progressive problems with the battery life</b>
<p>Check the battery charge, try to recharge and check if the battery charger is working properly.</p> <p>May be that the battery is at the recharge limit.</p> <p>May be that the internal cells are damaged or worn out.</p> <p>Test tool with a different battery</p>
<b>The charger will not start to recharge the battery</b>
<p>The battery is damaged- do not use</p> <p>The battery voltage is lower than 10V – check by electric tester; Check if the charger is still running.</p>

## 9) LAYOUT-SPARE PARTS LIST

Ed. 01/12

POLYCHEM PART NUMBER	ITEM	DESCRIPTION	QNTY		
401-2157	A000142	TENSION MOTOR GROUP	1		*
401-2006	A000097	SIGNALS CARD WITH LIGHT TRANSP	1		*
B800BAT	A000115	BATTERY 3A/h	1	§	*
401-0441	A000237	EXCENTRIC SHAFT ASSEMBLED	1		
401-0439	A000238	WELDING MOTOR ASSEMBLED	1		*
401-2007	B400186	BEARING 61808-RS1	2		
401-2009	B400188	FREWHEEL INA HF0812	1		
401-2010	B400332	BEARING 609 ZZ SKF	1		
401-2011	B400333	BEARING 61902 ZZ	2		
401-2012	B500035	SCREW M4X10	9		
401-2013	B500036	SCREW M5X12	5		
401-2149	B500068	SCREW M3X8 UNI 5931	1		
401-2018	B500140	SCREW M5X30	1		
401-2019	B500158	SCREW M4X12	3		
401-2020	B500208	SCREW BN13577 3,5X20 KA35	4		
401-2134	B500211	LOCK. WASHER	4		
401-2023	B500214	SCREW M4X8	2		
401-2024	B500273	SCREW M3X10	6		
401-2025	B500275	SCREW M2X10	2		
401-2026	B500281	SELFLOCK. NUT M6 D985 5S	1		
401-2027	B500336	SCREW M4X10	2		
401-2028	B500379	SCREW M4X5	5		
401-2029	B500384	SCREW 2.9X4.5	2		
401-2030	B500385	SCREW 2.9X6.5	3		
401-2031	B500395	SCREW 3.5X16	3		*
401-2014	B500418	SCREW TCEI UNC10-24X3/8" B18.3	4		
401-2033	B600018	WASHER PS 10x5x0,3	1		
401-2034	B600112	WASHER PS12X18X0.5 DIN988	2		
401-2036	B600159	CIRCLIP A12 DIN471	2		
401-2037	B600189	CIRCLIP RA3.2 DIN6799	1		
401-2038	B600190	CIRCLIP D8 7435	2		
401-2120	B600227	CUP WASHER CB12.5X6.2X0.7 D.2093	1		
401-2042	B600343	SPRING G13-025 ISO10243	1		
401-2044	B600345	CIRCLIP D34 UNI 7435	1		
401-2045	B600346	CIRCLIP D15 UNI 7435 R150	1		
401-2046	B600376	WASHER PS 15X21X0.5	1		
401-2060	B600391	WASHER PS 6X21X0.2	1		
401-2047	B700076	PIN 4X12 DIN6325	1		
401-2048	B700101	PIN 6X28 DIN6325	1		
401-2129	B700103	ELASTIC PIN 3x10 UNI 6873	1		
401-2049	B700325	SPHERE DIAM.5mm	8		
401-2051	B800366	KEYBOARD	1		*
401-2052	B800378	WELDING MICROSWITCH	1		*
401-2053	B800396	TENSION MICROSWITCH	1		*
401-2158	B800441	POWER CABLES KIT	1		
401-2159	B800450	ELECTRONIC POWER CARD	1		*
401-2055	D000010	PIN	1		
401-2056	D000170	GEAR SHAFT	1		
401-2058	D000250	STRAP LOCKER	1	§	*

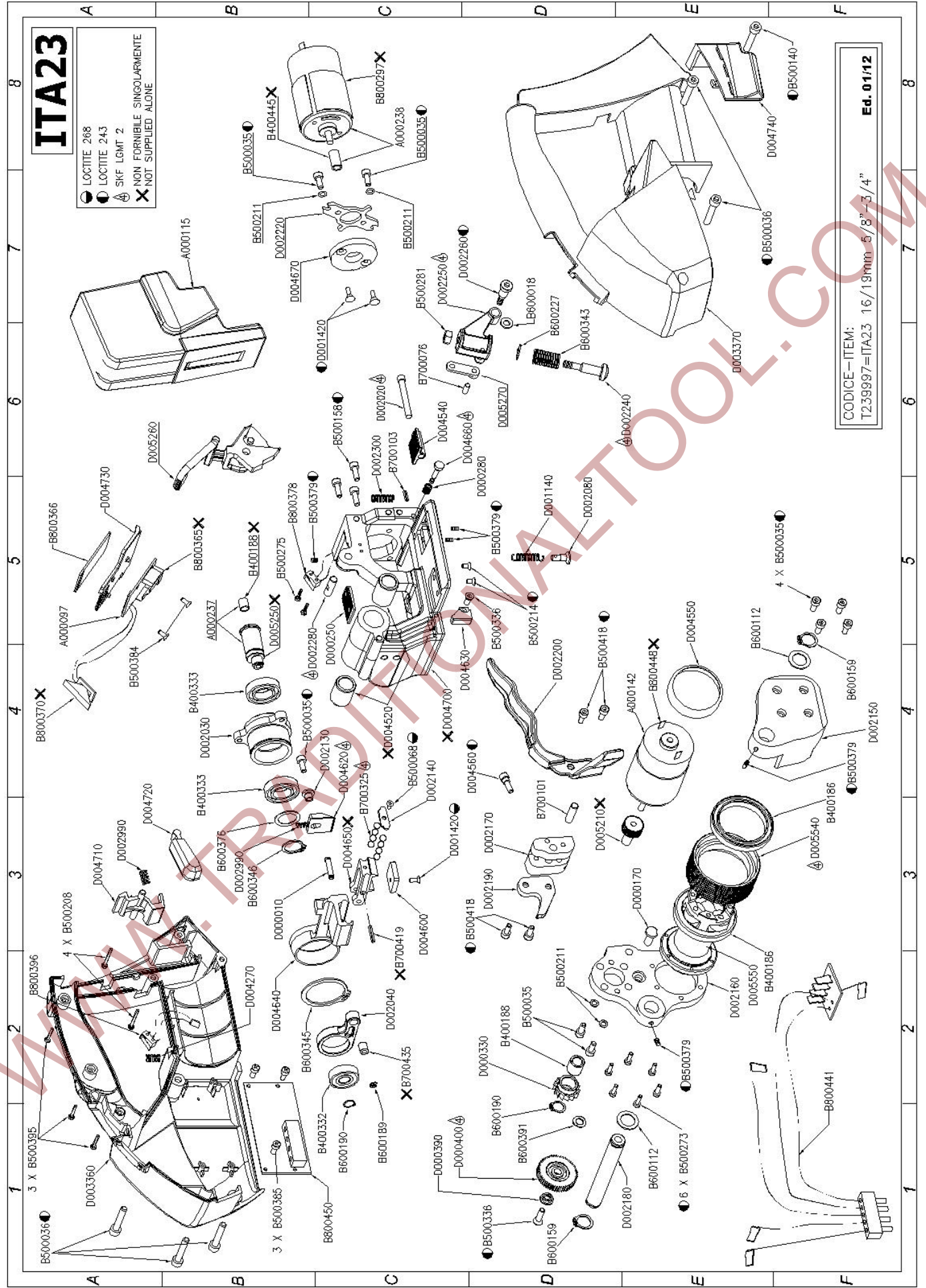
POLYCHEM PART NUMBER	ITEM	DESCRIPTION	QNTY		
401-2103	D000280	REAR STRAP GUIDE SPRING	1		
401-2059	D000330	FREEWHEEL SUPPORT	1		
401-2061	D000390	LOCKING COVER	1		
401-2062	D000400	GEAR	1		
401-2064	D001140	TENSION SPRING	1		
401-2108	D001420	SPECIAL SCREW M4x10	3		
401-2066	D002020	WELDING FOOT PIN	1		
401-2067	D002030	FLANGE	1		
401-2068	D002040	CONNECTING ROD	1		
401-2072	D002080	SPRING SUPPORT	1		
401-2076	D002130	CUTTER GUIDE	1		
401-2077	D002140	COVER	1		
401-2003	D002150	FEED WHEEL SUPPORT	1		
401-2121	D002170	LEVER SUPPORT	1		
401-2004	D002160	MOTOR FLANGE	1		
401-2078	D002180	SHAFT	1		
401-2079	D002190	HOOK	1		
401-2080	D002200	OPENING LEVER	1		
401-2081	D002220	WELDING MOTOR FLANGE	1		
401-2083	D002240	SPRING PIN	1		
401-2084	D002250	SPRING SUPPORT	1		
401-2085	D002260	SUPPORT PIN	1		
401-2086	D002280	WELDING LEVER PIN	1		
401-2089	D002300	WELDING GROUP SPRING	1		*
401-2095	D002990	BATTERY RELEASE / CUTTER SPRING	2		*
401-2160	D005760	RIGHT COVER (BLACK)	1		
401-2161	D005770	LEFT COVER (BLACK)	1		
401-2101	D004270	TENSION BUTTON SPRING	1		*
401-2109	D004540	WELDING FOOT	1	§	*
401-2151	D004550	TENSION MOTOR PROTECTION	1		
401-2132	D004560	OPENING LEVER SPRING SCREW	1		
401-2110	D004600	WELDING PLATE	1	§	*
401-2112	D004620	CUTTER	1	§	*
401-2122	D004630	FRONT STRAP GUIDE	1		
401-2145	D004640	SUPPORT	1		
401-2123	D004650	SUPPORT WELDING FOOT	1		
401-2124	D004660	REAR GUIDE STRAP	1		
401-0440	D004670	CENTERING RING FOR WELDING MOTOR	1		
401-2162	D005810	BATTERY RELEASE LEVER (BLUE)	1		
401-2163	D005800	TENSION BUTTON (BLUE)	1		
401-2164	D005790	KEYBOARD SUPPORT (BLUE)	1		
401-2165	D005780	BLADE COVER (BLUE)	1		
401-2166	D005540	FEEDWHEEL	1	§	*
401-2167	D005550	EPICICLOIDAL GEARBOX	1		
401-2156	D005260	WELDING LEVER	1		
401-2155	D005270	LINKER	1		

	§	WEARING PART
	*	PART THAT SHOULD BE STOCKED

# ITA23

- LOCITE 268
- LOCITE 243
- ▲ SKF LGMT 2
- ✕ NON FORNIBILE SINGOLARMENTE
- NOT SUPPLIED ALONE

CODICE-ITEM:  
T239997=ITA23 16/19mm 5/8"-3/4"  
Ed. 01/12



## CE DECLARATION OF CONFORMITY

POLYCHEM declares under own responsibility that the under mentioned machinery, to which this declarations refers, is in conformity with **CEE 98/37** Directive and successive modifications, as well as with standards **EN60745-1, EN60745-2-18, EN55014-1, EN55014-2, EN61000-3-2, EN61000-3-3**

**MODEL:**

**Series B1000**



**MACHINE TYPE:**

**BATTERY POWERED PLASTIC STRAPPING TOOL**