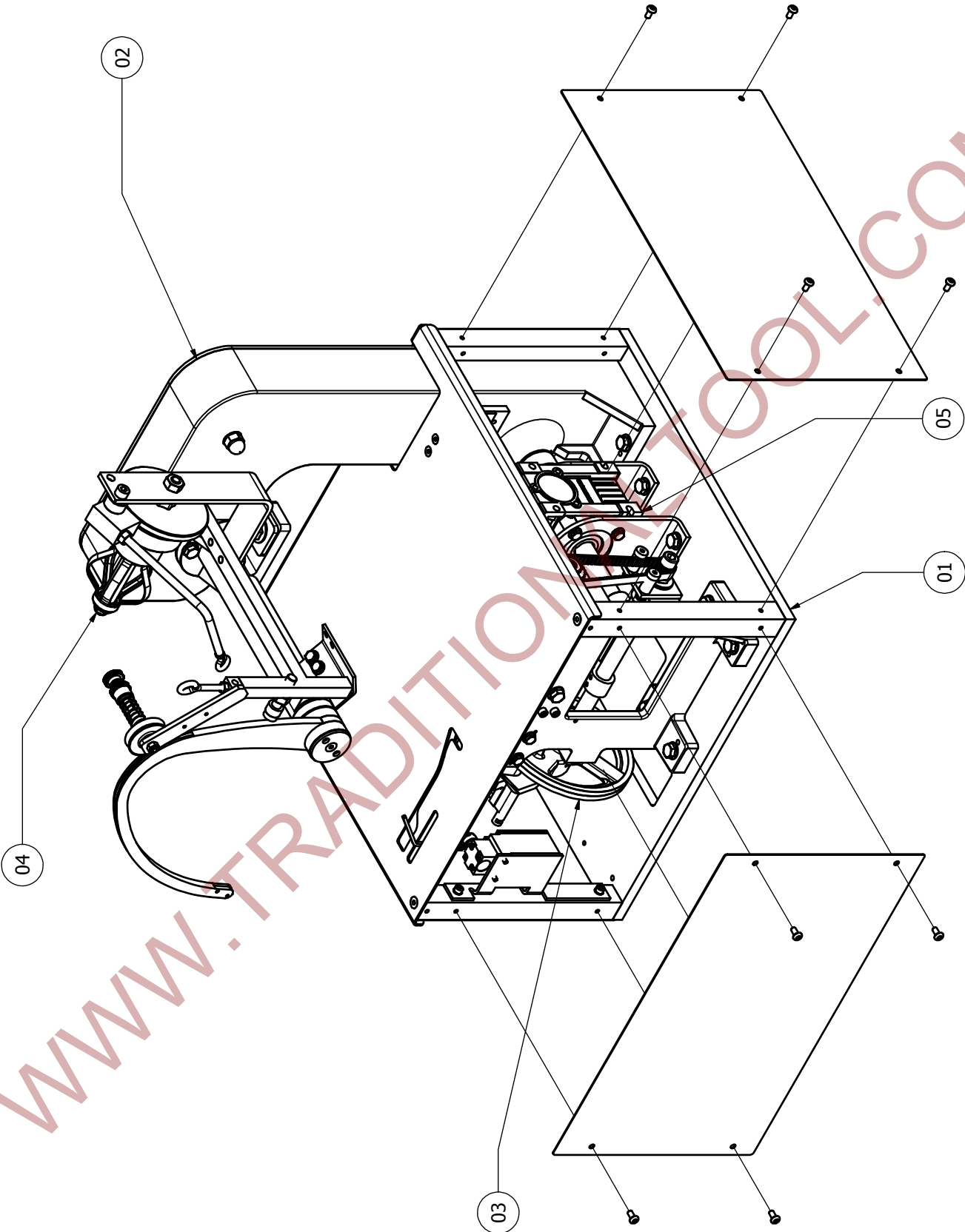
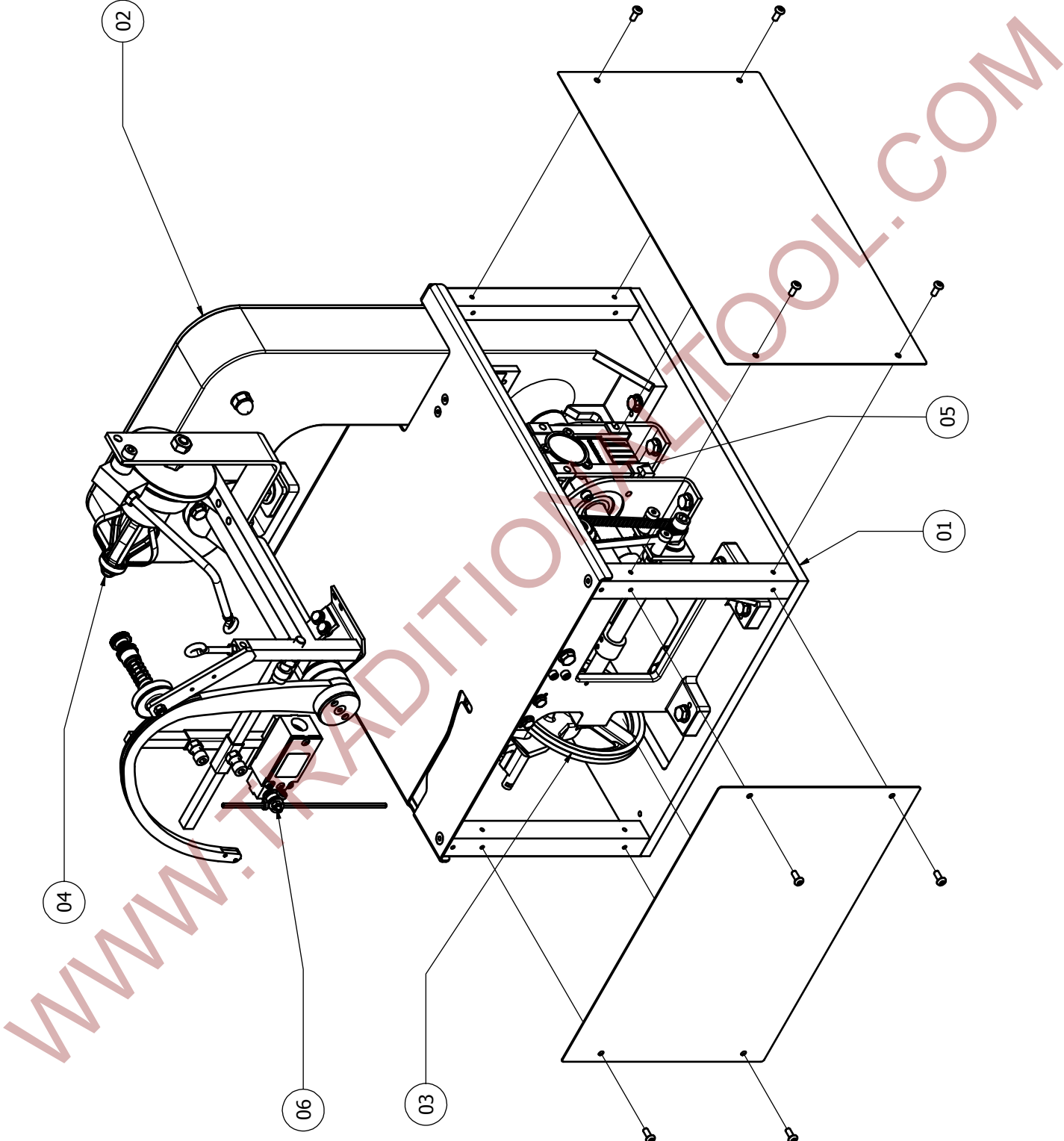


RLC + FQC

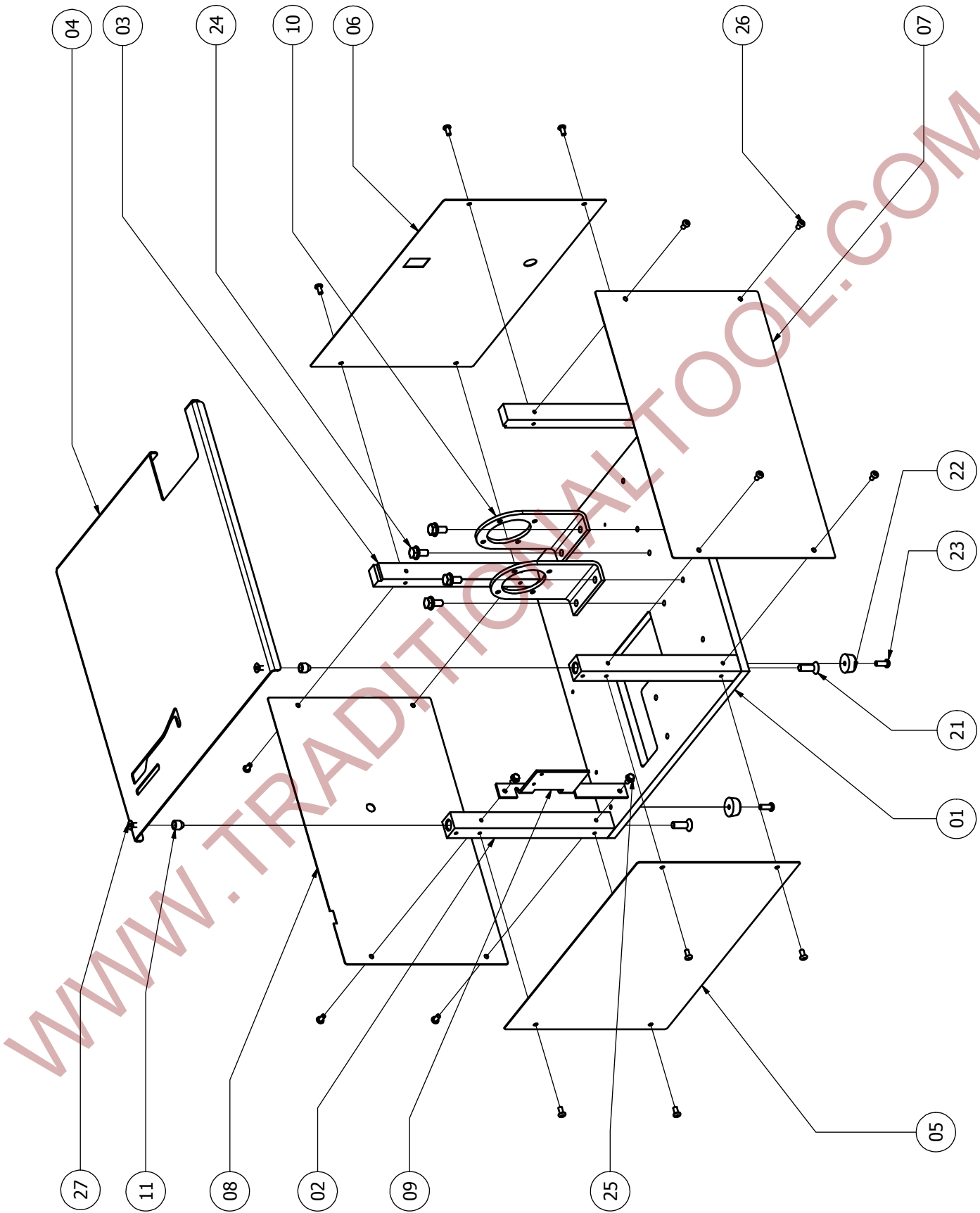
Onderdelen-lijst	Parts-list	Ersatzteil-liste	
Axro-RLC-R	Axro-RLC-R	Axro-RLC-R	2
Axro-FQC-R	Axro-FQC-R	Axro-FQC-R	4
Frame RLC-R	Frame RLC-R	Gestell RLC-R	6
Frame FQC-R	Frame FQC-R	Gestell FQC-R	8
Traverse-R+L	Crossbeam-R+L	Traverse-R+L	10
Aggregaat STD	Aggregate STD	Aggregat STD	14
Aggregaat KVG	Aggregate KVG	Aggregat KVG	16
Knoperhuis kmp1	Knotterhousing	Knotergehause	18
Afschuiver	Stripper	Abstreifer	20
Inwerper	Feed-in	Einwerfer	22
Knopervrijgave	Knotter-release	Knotter-freigabe	24
Knopervrijgave '06	Knotter-release '06	Knotter-freigabe '06	26
Klemmechanisme	Stringholder	Schnurklemme	28
Aandrijving Axro	Drive Axro	Antrieb Axro	30
Commandowiel	Driving wheel	Antriebscheibe	32
Afrolhouder-R	Spoolholder-R	Spulenhaltung-R	34
Boven schakeling	Top-switch	Obenschalter	36
Besturing RLC	Control unit RLC	Steuerung RLC	38
Besturing FQC	Control unit FQC	Steuerung FQC	40



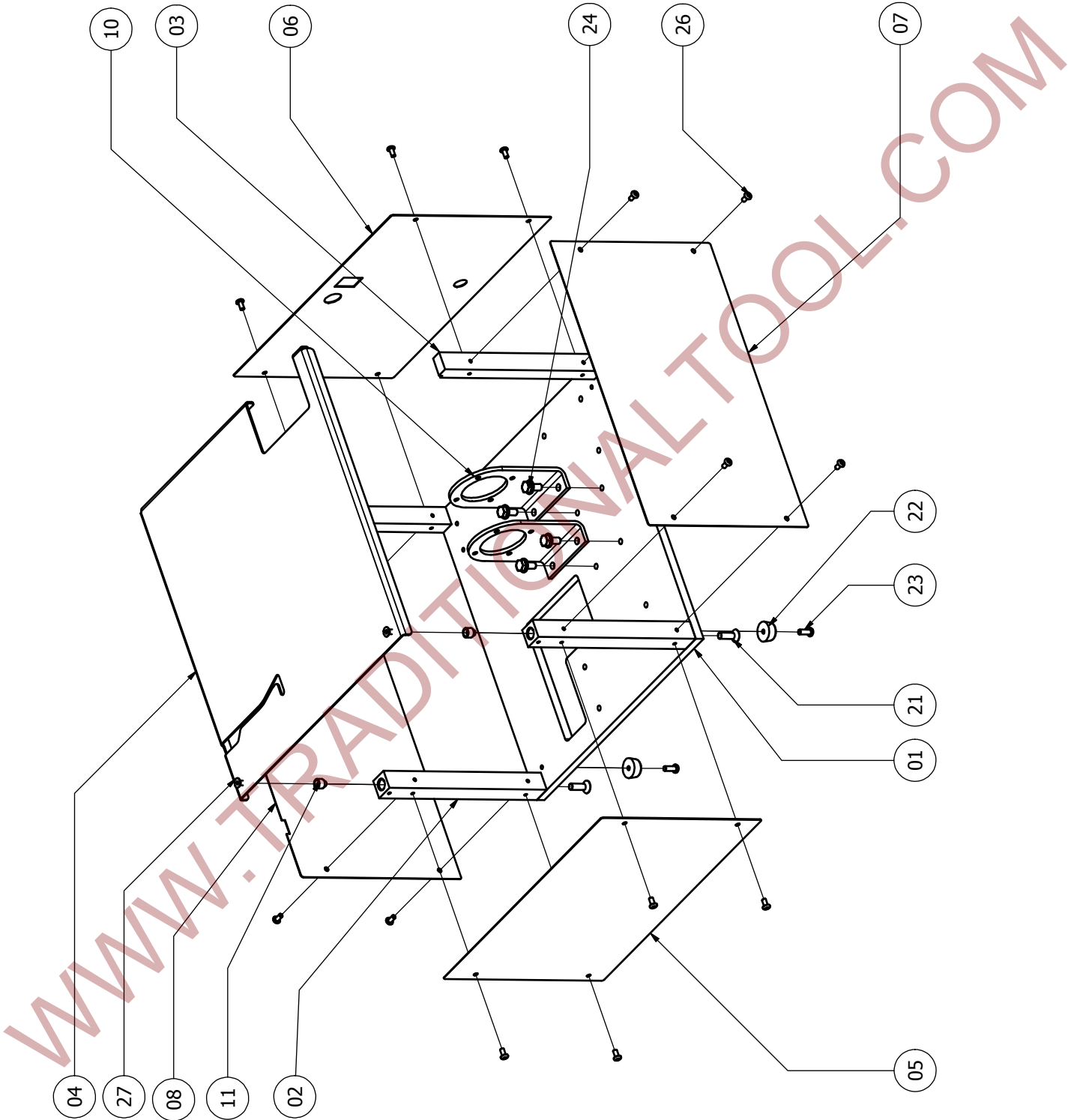
8710-14..		Axro-RLC-R			
POS	QTY	Product Nr.	Artikelnaam	Description	Benennung
01	1	0314-0100-0000	Frame Axro-RLC-R kmpl	Frame Axro-RLC-R cmpl	Gestell Axro-RLC-R kmpl
02	1	0300-1200-0000	Traverse-R '08 kmpl	Crossbeam-R '08 cmpl	Traverse-R '08 kmpl
03	1	0300-0300-0000	Aggregaat BSC-ZHT kmpl	Main frame BSC -ZHT kmpl	Aggregaat BSC -ZHT kmpl
03	1	0300-0300-0001	Aggregaat BSC-HRD kmpl	Main frame BSC-HRD kmpl	Aggregaat BSC-HRD kmpl
03	1	0300-0300-0010	Aggregaat STD-ZHT kmpl	Main frame STD-ZHT kmpl	Aggregaat STD-ZHT kmpl
03	1	0300-0300-0011	Aggregaat STD-HRD kmpl	Main frame STD- HRD kmpl	Aggregaat STD- HRD kmpl
03	1	0300-0300-0012	Aggregaat STD-HRD-3k kmpl	Main frame STD-HRD-3k kmpl	Aggregaat STD-HRD-3k kmpl
04	1	0300-0400-0000	Afrolhouder-R kmpl	Spoolholder-R cmpl	Spulhalterung-R kmpl
05	1	ME479	Aandrijving 0.22kW; 1pH 230V-50Hz	Drive motor 0.22kW; 1pH 230V-50Hz	Antrieb motor 0.22kW; 1pH 230V-50Hz
05	1	ME479D	Aandrijving 0.22kW; 1pH 200V-50Hz	Drive motor 0.22kW; 1pH 200V-50Hz	Antrieb motor 0.22kW; 1pH 200V-50Hz
05	1	ME479B	Aandrijving 0.22kW; 1pH 200V-60Hz	Drive motor 0.22kW; 1pH 200V-60Hz	Antrieb motor 0.22kW; 1pH 200V-60Hz
05	1	ME479A	Aandrijving 0.22kW; 1pH 100V-50Hz	Drive motor 0.22kW; 1pH 100V-50Hz	Antrieb motor 0.22kW; 1pH 100V-50Hz
05	1	ME479C	Aandrijving 0.22kW; 1pH 100V-60Hz	Drive motor 0.22kW; 1pH 100V-60Hz	Antrieb motor 0.22kW; 1pH 100V-60Hz
06	1	0301-0602-0230	E-unit '06 RLC 230V	E-unit '06 RLC 230V	E-unit '06 RLC 230V
06	1	0301-0602-023B	E-unit '06 RLC 230V Basic	E-unit '06 RLC 230V Basic	E-unit '06 RLC 230V Basic
06	1	0301-0602-0100	E-unit '06 RLC 100V	E-unit '06 RLC 100V	E-unit '06 RLC 100V
06	1	0301-0602-010B	E-unit '06 RLC 100V Basic	E-unit '06 RLC 100V Basic	E-unit '06 RLC 100V Basic
Option	1	0303-0600-05	Bovenschakeling kmpl	Top-switch cmpl	Oben-schalter kmpl



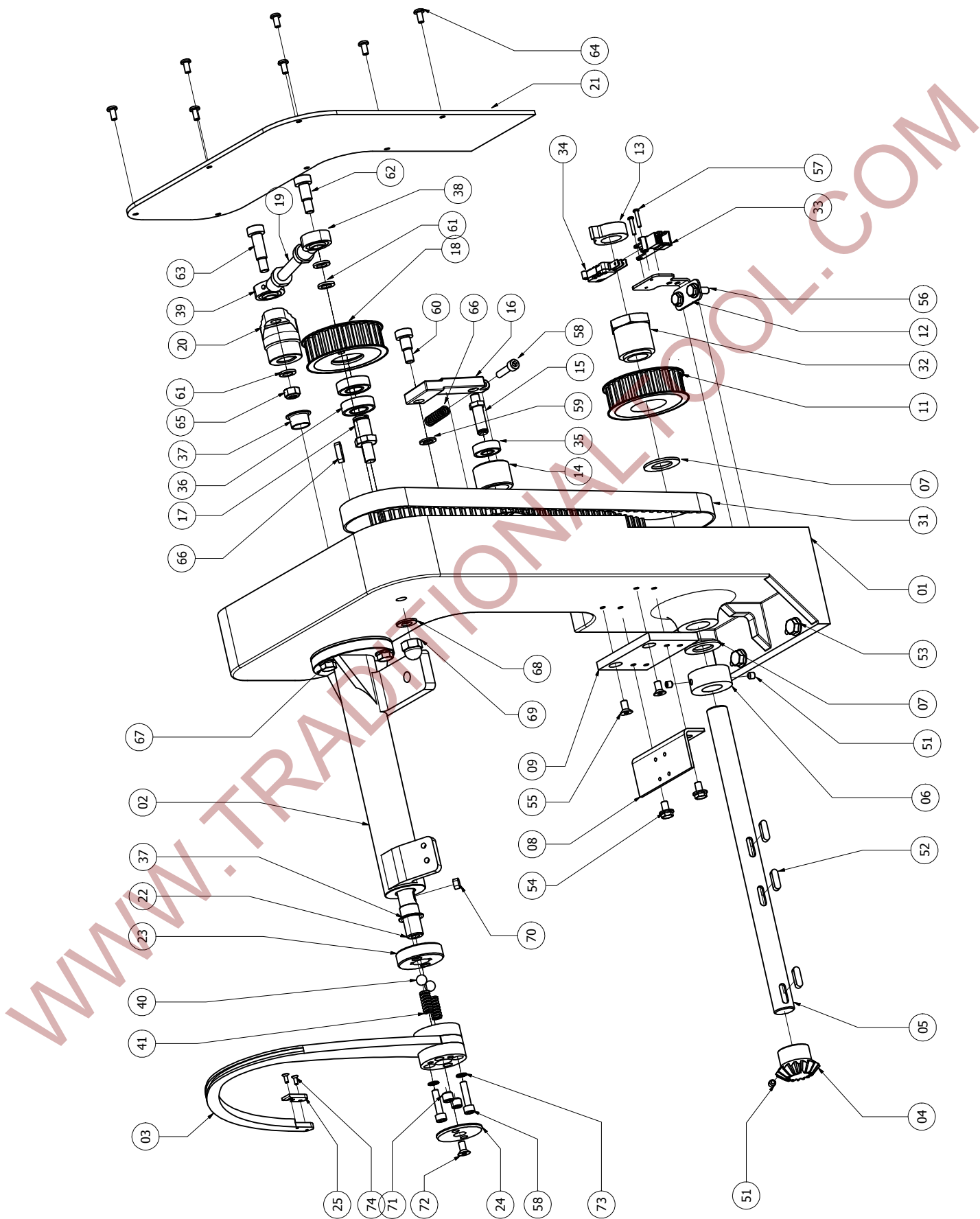
8710-15..		Axro-FQC-R			
POS	QTY	Product Nr.	Artikelnaam	Description	Benennung
01	1	0315-0100-0000	Frame Axro-FQC-R kmpl	Frame Axro-FQC-R cmpl	Gestell Axro-FQC-R kmpl
02	1	0300-1200-0000	Traverse-R '08 kmpl	Crossbeam-R '08 cmpl	Traverse-R '08 kmpl
03	1	0300-0300-0020	Aggregaat KVG-ZHT kmpl	Main frame KVG -ZHT kmpl	Aggregat KVG -ZHT kmpl
03	1	0300-0300-0021	Aggregaat KVG -HRD kmpl	Main frame KVG- HRD kmpl	Aggregat KVG - HRD kmpl
03	1	0300-0300-0022	Aggregaat KVG -HRD-3k kmpl	Main frame KVG -HRD-3k kmpl	Aggregat KVG -HRD-3k kmpl
04	1	0300-0400-0000	Afrolhouder-R kmpl	Spoolholder-R cmpl	Spulhalterung-R kmpl
05	1	ME476	Aandrijving 0.18kW; 3pH 230V-50/60 Hz	Drive motor 0.18kW; 3pH 230V-50/60 Hz	Antrieb motor 0.18kW; 3pH 230V-50/60 Hz
06	1	0303-0600-05	Bovenschakeling kmpl	Top-switch cmpl	Oben-schalter kmpl
07	1	0301-0603-0000	E-unit Axro-FQC 230V	E-unit Axro-FQC 230V	E-unit Axro-FQC 230V
Option	1	ME489A	Trafo 100->230V	Transformer 100->230V	Transformator 100->230V



0314-0100-0000		Frame Axro-RLC-R kmpl			
POS	QTY	Product Nr.	Artikelnaam	Description	Benennung
01	1	0314-0100-12AL	Bodemplaat RLC-R Alu	Baseplate RLC-R Alu	Bodenplatte RLC-R Alu
02	1	0300-1100-08AL	Staander voor	Front support	Stutze vorn
03	1	0300-1100-09AL	Staander achter	Back support	Stutze hinten
04	1	0314-0100-10	Bovenplaat	Table-top	Tischplatte
05	1	0314-0100-02ST	Voorplaat	Front plate	Schutzplatte vorne
06	1	0314-0100-03ST	Achterplaat	Back plate	Schutzplatte hinten
07	1	0300-1100-04ST	Zijplaat R	Side plate R	Schutzplatte R
08	1	0300-1100-05ST	Zijplaat L	Side plate L	Schutzplatte L
09	1	0314-0100-14ST	Beugel start- schakelaar R	Bracket start- switch R	Schalter Stutze R
10	2	0300-0200-06ST	Motor beugel	Drive bracket	Antrieb Stutze
11	2	0304-0100-10	Centreermoer	Centring nut	Centrier mutter
21	4	NTB- 0130-0825	Verzonken schroef M8x25	Countersunk screw M8x25	Senkschraube M8x25
22	4	NTW-4500-2512Z	Buffer D25 H12 Zwart	Bumper D25 H12 Black	Dampfer D25 H12 Schwarz
23	4	NTB-0120-0616	Bolkop schroef bzk M6x16	Button-head screw M6x16	Rundkopfschraube M6x16
24	4	NTB-0105-0816	Zeskantflensbout M8x16	Hex-flange bolt M8x16	Flansch-sechskant schraube M8x16
25	2	NTB-0105-0510	Zeskantflensbout M5x10	Hex-flange bolt M5x10	Flansch-sechskant schraube M5x10
26	16	NTB-0120-0512	Bolkop schroef bzk M5x12	Button-head screw M5x12	Rundkopfschraube M5x12
27	2	NTB-0130-0612	Verzonken schroef M6x12	Countersunk screw M6x12	Senkschraube M6x12



0315-0100-0000		Frame Axro-FQC-R kmpl			
POS	QTY	Product Nr.	Artikelnaam	Description	Benennung
01	1	0315-0100-12AL	Bodemplaat FQC-R Alu	Baseplate FQC-R Alu u	Bodenplatte FQC-R Alu
02	1	0300-1100-08AL	Staander voor	Front support	Stutze vorn
03	1	0300-1100-09AL	Staander achter	Back support	Stutze hinten
04	1	0315-0100-10	Bovenplaat	Table-top	Tischplatte
05	1	0315-0100-02ST	Voorplaat	Front plate	Schutzplatte vorne
06	1	0315-0100-03ST	Achterplaat	Back plate	Schutzplatte hinten
07	1	0300-1100-04ST	Zijplaat R	Side plate R	Schutzplatte R
08	1	0300-1100-05ST	Zijplaat L	Side plate L	Schutzplatte L
09					
10	2	0300-0200-06ST	Motor beugel	Drive bracket	Antrieb Stutze
11	2	0304-0100-10	Centreermoer	Centring nut	Centrier mutter
21	4	NTB- 0130-0825	Verzonken schroef M8x25	Countersunk screw M8x25	Senkschraube M8x25
22	4	NTW-4500-2512Z	Buffer D25 H12 Zwart	Bumper D25 H12 Black	Dampfer D25 H12 Schwarz
23	4	NTB-0120-0616	Bolkop schroef bzk M6x16	Button-head screw M6x16	Rundkopfschraube M6x16
24	4	NTB-0105-0816	Zeskantflensbout M8x16	Hex-flange bolt M8x16	Flansch-sechskant schraube M8x16
25					
26	16	NTB-0120-0512	Bolkop schroef bzk M5x12	Button-head screw M5x12	Rundkopfschraube M5x12
27	2	NTB-0130-0612	Verzonken schroef M6x12	Countersunk screw M6x12	Senkschraube M6x12

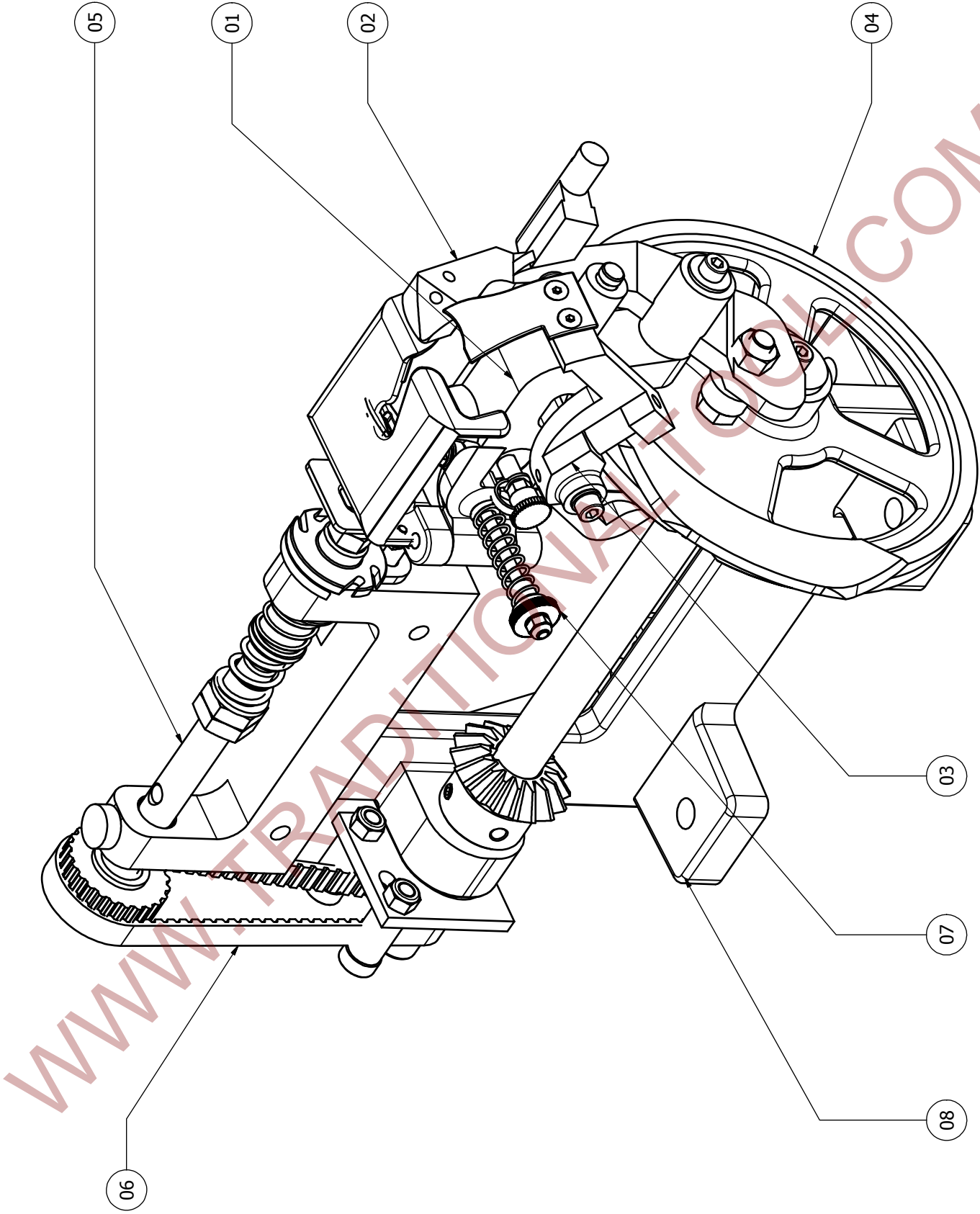


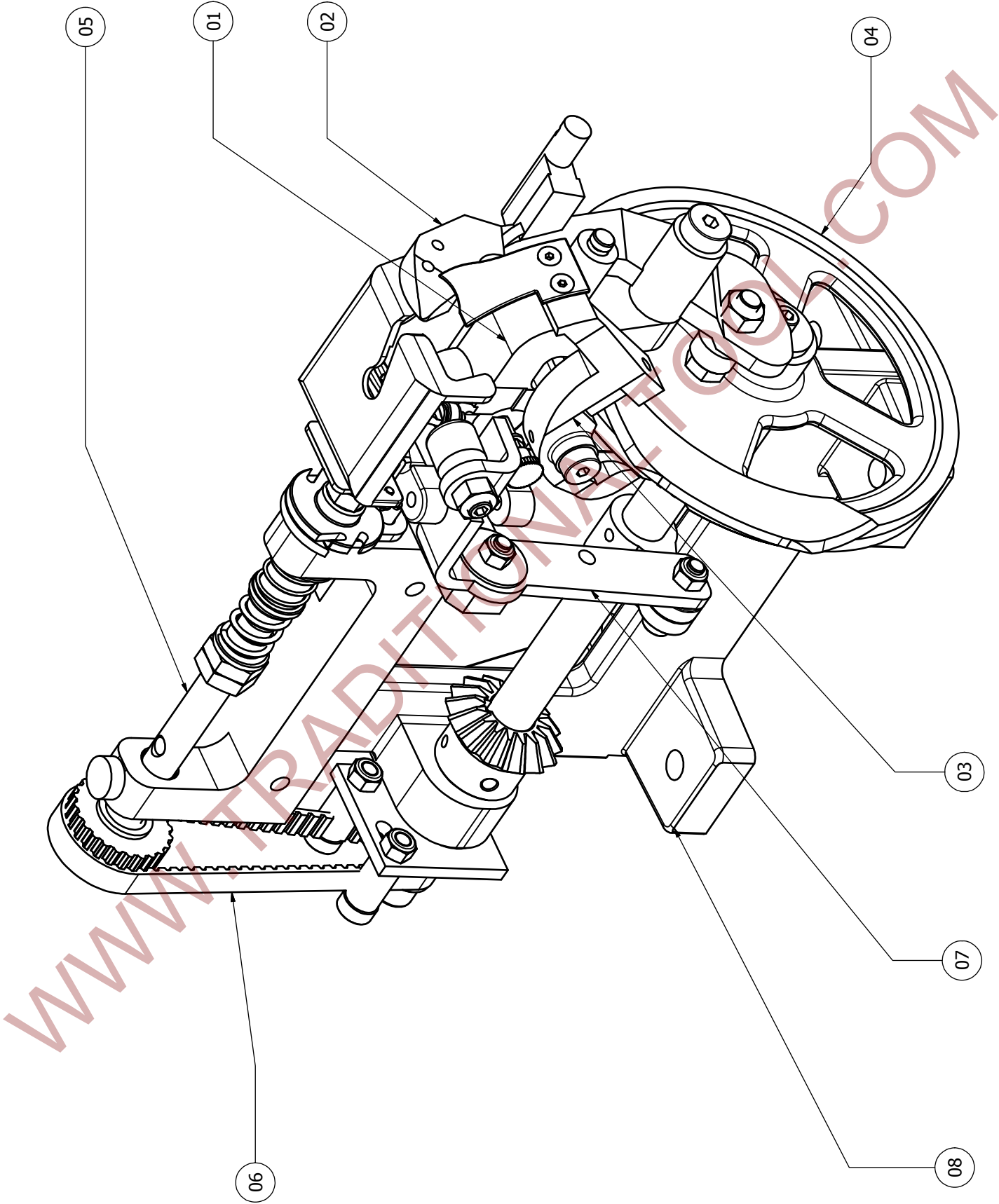
0300-1200-0000		Traverse-R '08 kmpl			
POS	QTY	Product Nr.	Artikelnaam	Description	Benennung
01	1	0300-1200-01AL	Traverse '08 Alu	Traverse '08 Alu	Traverse '08 Alu
02	1	0301-0501-03	Lagerhuis naald-as	Bearing support	Lagernadelwelle R
03	1	0300-1200-27AL	Naald '08 Alu	Needle '08 Alu	Nadel '08 Alu
03	(1)	0303-0502-05	Naald-R (Ms)	Needle-R (Ms)	Nadel-R (Ms)
04	1	0300-0200-17ST	Kegelwiel aandr	Bevelgear drive	Kegelrad Antrieb
05	1	0300-1200-08ST	Motoras-R '08	Drive-shaft-R '08	Antriebswelle-R '08
06	1	0300-1200-19AL	Stelring '08 Alu	Set ring '08 Alu	Stelling '08 Alu
07	2	0300-1200-30	Lagerschijf	Slide bearing	Gleitscheibe
08	1	0300-0200-12	Steun	Bracket	Stutze
09	1	0300-0200-13	Verloopplaat	Adapter plate	Adaptor Platte
10	1				
11	1	0300-0200-21AL	Tandriemschijf z24 ond Alu	Timing belt wheel z24 btm Alu	Zahnriemscheibe z24 unt Alu
12	1	0300-1200-05	Schakelaarsteun	Switch bracket	Schalter stutze
13	1	0300-1200-04	Schakelnok '08	Switch cam '08	Schaltnocke '08
14	1	0303-0500-04	Spanrol	Tensioning wheel	Spannrolle
15	1	0303-0500-05	Lager-as spanrol	Bearing-shaft tensioning wheel	Lagerwelle Spannrolle
16	1	0303-0500-16	Spanner	Tension-bracket	Spannwinkel
17	1	0300-1200-23ST	Lager-as poulie '08 St	Bearing-shaft tb-wheel '08	Lagerwelle Zahnscheibe '08
18	1	0300-0200-22AL	Tandriemschijf z24 bvn Alu	Timing belt wheel z24 top Alu	Zahnriemscheibe z24 obn Alu
19	1	0300-0200-18ST	Drijfstang	Drive rod	Schubstange
20	1	0303-0502-07	Kruk	Crank	Hebel
21	1	0300-1200-14	Dekplaat	Coverplate	Abdeckung
22	1	0303-0501-12	Naaldas	Needle-shaft	Nadelwelle
23	1	0300-1200-24ST	Koppelingsschijf '08	Coupling disk '08	Kupplungscheibe '08
24	1	0300-1200-25ST	Opsluitingschijf '08	Locking disk '08	Abdeckscheibe '08
25	1	0303-0500-28	Eindstuk open	Needle tip	Nadel Spitze
26					
27					
28					
29					
30					
31	1	NTW-25M10-1939	Tandriem	Timing belt	Zahnriem
32	1	NTW-6001-2035	Klembus 2035	Clamping set	Spansatz
33	1	ZZ-21193-1003	Behuizing stopschakelaar	Housing stopswitch	Schutz-gehaue Stopschalter
34	1	ZZ-21193-1002	Stopschakelaar	Stopswitch	Stopschalter
35	2	NTW-01RS-102608	Kogellager 6000-2RS1	Bearing 6000-2RS1	Kugellager 6000-2RS1

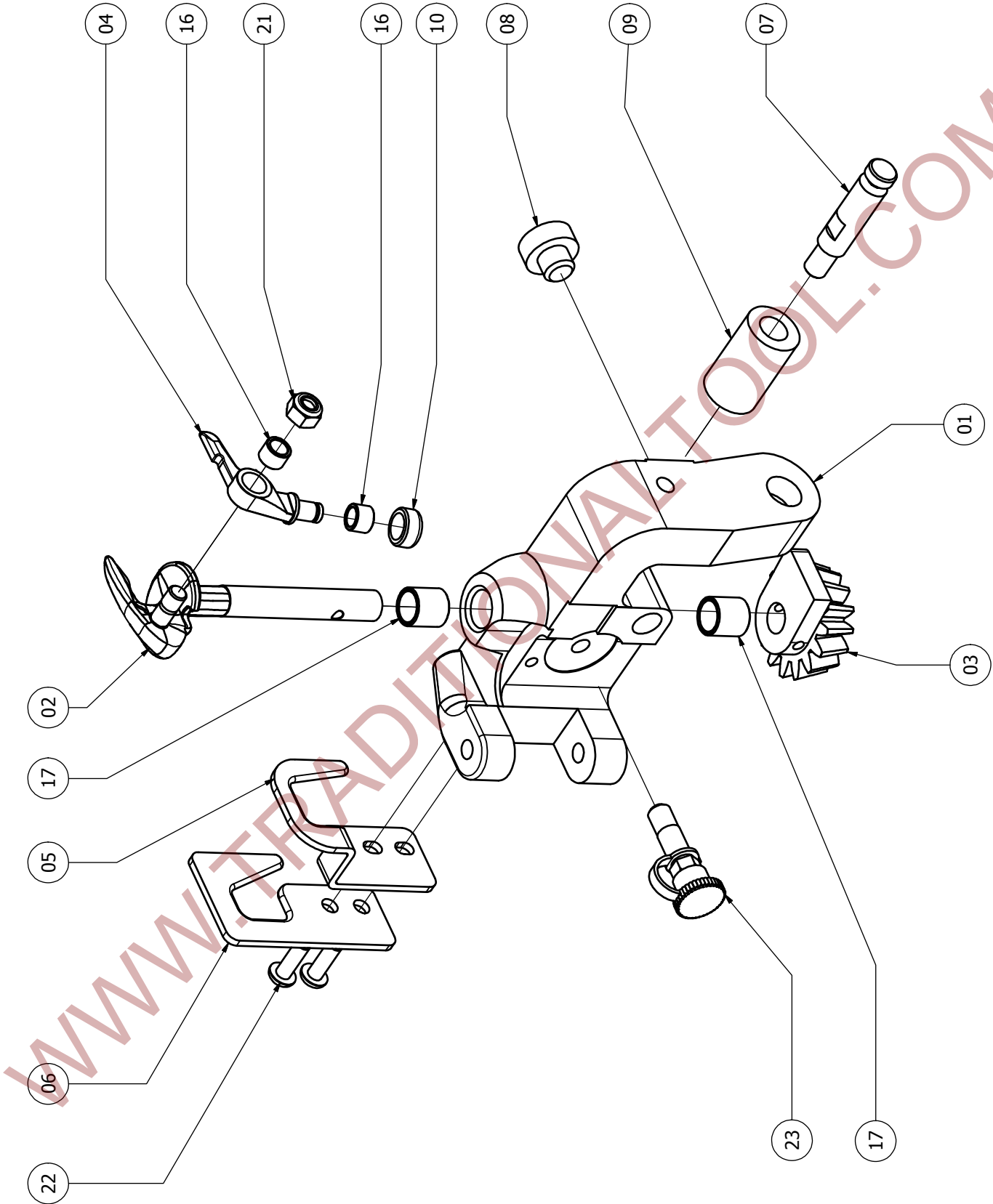
POS	QTY	Product Nr.	Artikelnaam	Description	Benennung
36	2	NTW-01RS-153209	Kogellager 6002-2RS1	Bearing 6002-2RS1	Kugellager 6002-2RS1
37	2	NTW-06PF-1612ST	Glijlager PAF1612	Slide-bearing PAF1612	Gleitlager PAF1612
38	1	NTW-08B1-M10L-ST	Stangkop M10-L	Ball joint M10-L	Gelenkkopf M10-L
39	1	NTW-08B1-M10R-ST	Stangkop M10-R	Ball joint M10-R	Gelenkkopf M10-R
40	2	NTW-02D10	Kogel D10	Ball D10	Kugel D10
41	2	NTW-3020-1020	Drukveer	Compression spring	Druckfeder
42					
43					
44					
45					
46					
47					
48					
49					
50					
51	3	NTB-0600-0606ST	Stelschroef M6x6	Set screw M6x6	Stellschraube M6x6
52	3	NTB-0500-0620ST	Spie 6x20	Key 6x20	Passfeder 6x20
53	4	NTB-0105-0825ST	Zeskantflensbout M8x25	Hex-flange bolt M8x25	Flansch-sechskant schraube M8x25
54	2	NTB-0105-0610ST	Zeskantflensbout M6x10	Hex-flange bolt M6x10	Flansch-sechskant schraube M6x10
55	2	NTB-0130-0612ST	Verzonken schroef M6x12	Countersunk screw M6x12	Senkschraube M6x12
56	2	NTB-0105-0616ST	Zeskantflensbout M6x16	Hex-flange bolt M6x16	Flansch-sechskant schraube M6x16
57	2	NTB-0120-0316ST	Bolkop schroef bzk M3x16	Button-head screw M3x16	Rundkopfschraube M3x16
58	3	NTB-0110-0625ST	Imbusbout M6x25	Socket-head screw M6x25	Zylinderschraube M6x25
59	1	NTB-0360-1015ST	Pasring 10x16x1.5	Spacer 10x16x1.5	Distanzring 10x16x1.5
60	1	NTB-0140-081012	Pasbout M8x10x12	Tolerance bolt M8x10x12	Passschraube M8x10x12
61	1	NTB-0360-1020ST	Pasring 10x16x2	Spacer 10x16x2	Distanzring 10x16x2
62	1	NTB-0140-081016	Pasbout M8x10x16	Tolerance bolt M8x10x16	Passschraube M8x10x16
63	1	NTB-0140-081025	Pasbout M8x10x25	Tolerance bolt M8x10x25	Passschraube M8x10x25
64	7	NTB-0120-0510ST	Bolkop schroef	Button-head screw	Rundkopfschraube

			bzk M5x10	M5x10	M5x10
POS	QTY	Product Nr.	Artikelnaam	Description	Benennung
65	1	NTB-0210-08ST	Borgmoer M8	Lock nut M8	Sicherungsmutter M8
66	1	NTB-0500-0520ST	Spie 5x20	Key 5x20	Passfeder 5x20
67	3	NTB-0105-0820ST	Zeskantflensbout M8x20	Hex-flange bolt M8x20	Flansch-sechskant schraube M8x20
68	1	NTB-0330-10ST	Carosseriering M10	Washer M10	Scheibe M10
69	1	NTB-0230-10ST	Dopmoer M10	Cap nut M10	Hutmutter M10
70	1	NTB-0500-0510ST	Spie 5x10	Key 5x10	Passfeder 5x10
71	3	NTB-0600-1008RV	Stelschroef M10x1x8	Set screw M10x1x8	Stellschraube M10x1x8
72	1	NTB- 0130-0612ST	Verzonken schroef M6x12	Countersunk screw M6x12	Senkschraube M6x12
73	3	NTB-0340-06RV	Borgring M6 RVS	Lock washer M6	Sicherungsring M6
74	2	NTB-0130-0308ST	Verzonken schroef M3x8	Countersunk screw M3x8	Senkschraube M3x8
75	1	NTW-3015-0932	Veer	Spring	Feder

0300-1200-0001			Traverse-L '08 kmpl		
POS	QTY	Product Nr.	Artikelnaam	Description	Benennung
01	1	0300-1200-02AL	Traverse-L '08 Alu	Traverse-L '08 Alu	Traverse-L '08 Alu
02	1	0301-0501-03	Lagerhuis naald-as L	Bearing support L	Lagernadelwelle L
05	1	0300-1200-08ST	Motoras-L '08	Drive-shaft-L '08	Antriebswelle-L '08

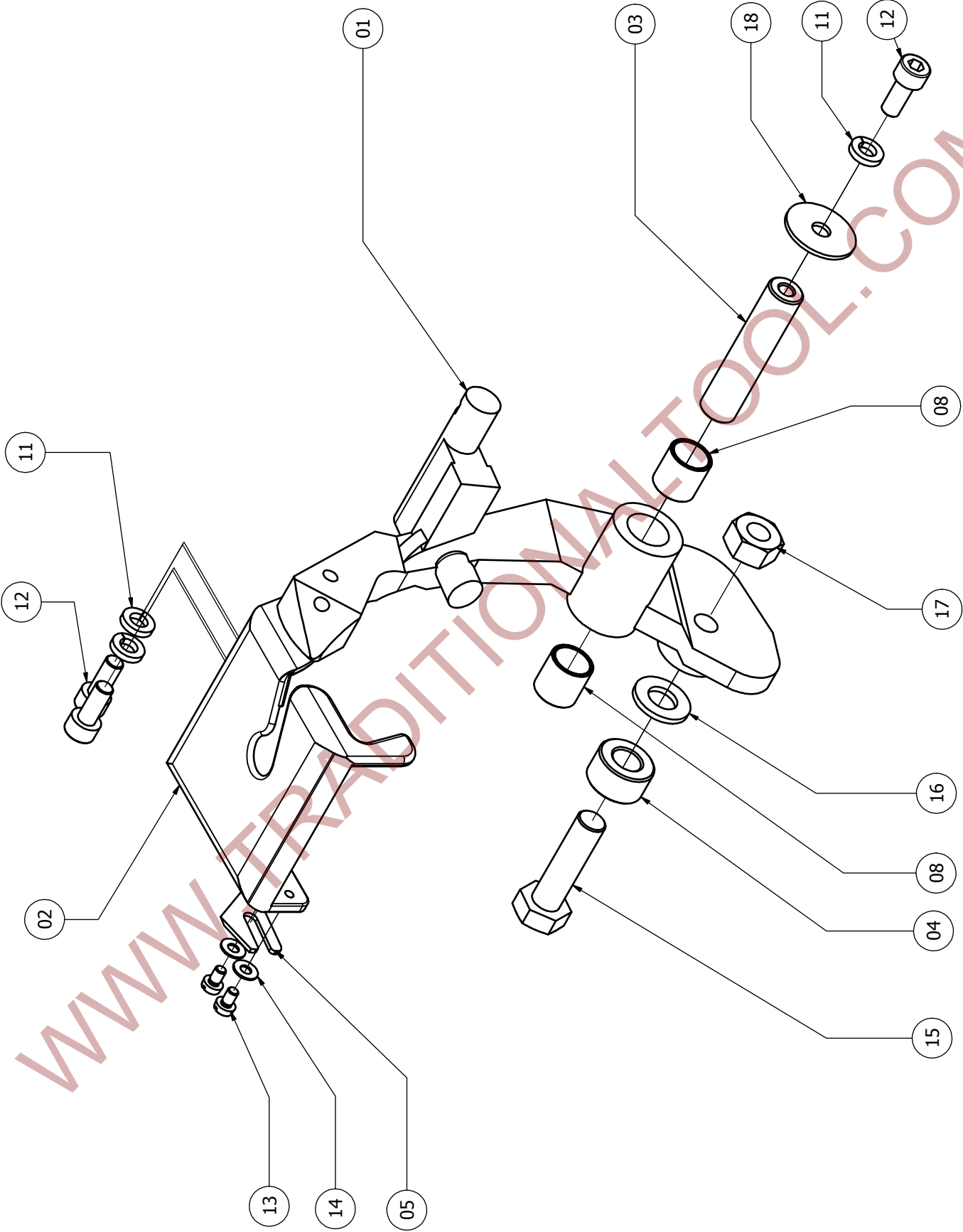




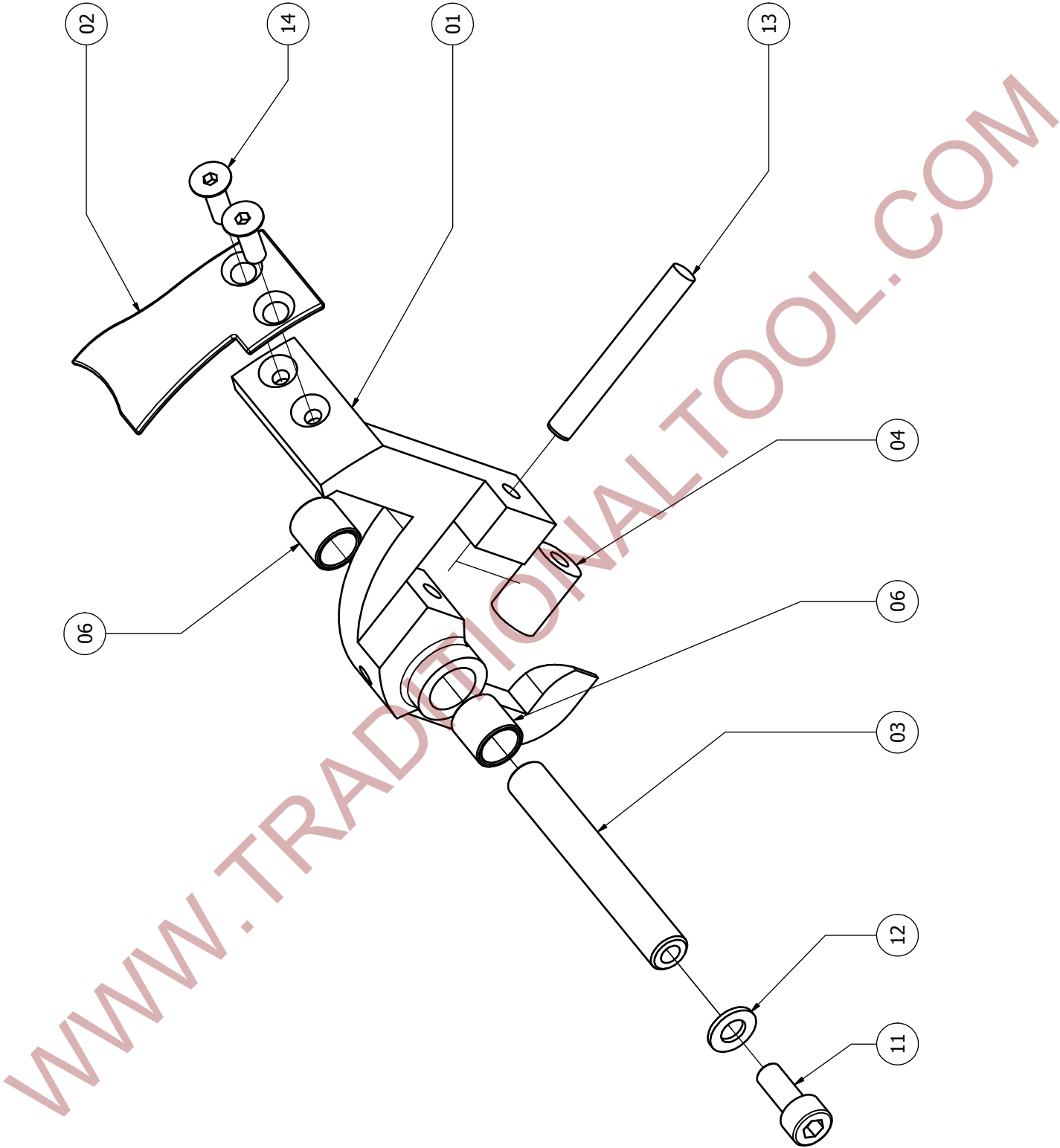


0300-0310-0000		Knoperhuis kmpl			
POS	QTY	Product Nr.	Artikelnaam	Description	Benennung
01	1	0300-0310-01	Knoperhuis	Knotterhousing	Knotergehause
02	1	0303-0232-03	Knoperkop	Knotterhead	Knoterkopf
03	1	0301-0230-07	Knoperwiel	Knotterwheel	Knoterrad
04	1	0303-0230-11	Knopersnavel	Knotterjaw	Knotertzunge
04	1	0310-0230-04-H	Knopersnavel 3K	Knotterjaw 3K	Knotertzunge 3K
05	1	0303-0231-10	Tegenmes gezet	Retainer bent	Niederhalter (winkel)
06	1	0303-0230-10	Tegenmes recht	Retainer straight	Niederhalter (gerade)
07	1	0301-0230-11	Veerbout	Spring	Federbolzen
08	1	0301-0220-07	Stootdemper	Bumper	Dampfer
09	1	NTP-1201-0815	Demper GP40	Bumper GP40	Dampfer GP40
10	1	0303-0230-05	Knoperrol	Knotter-roller	Knoterrolle
11					
12					
13					
14					
15					
16	2	NTW-06PP-0505ST	Glijlager PAP0505	Slide bearing PAP0505	Gleitlager PAP0505
17	2	NTW-06PP-0810ST	Glijlager PAP0810	Slide bearing PAP0810	Gleitlager PAP0810
18					
19					
20					
21	1	NTB-0210-05ST	Borgmoer M5	Lock nut M5	Sicherungsmutter M5
22	2	NTB-0120-0412ST	Bolkop schroef M4x12	Button-head screw M4x12	Rundkopfschraube M4x12
23					
24					
25					

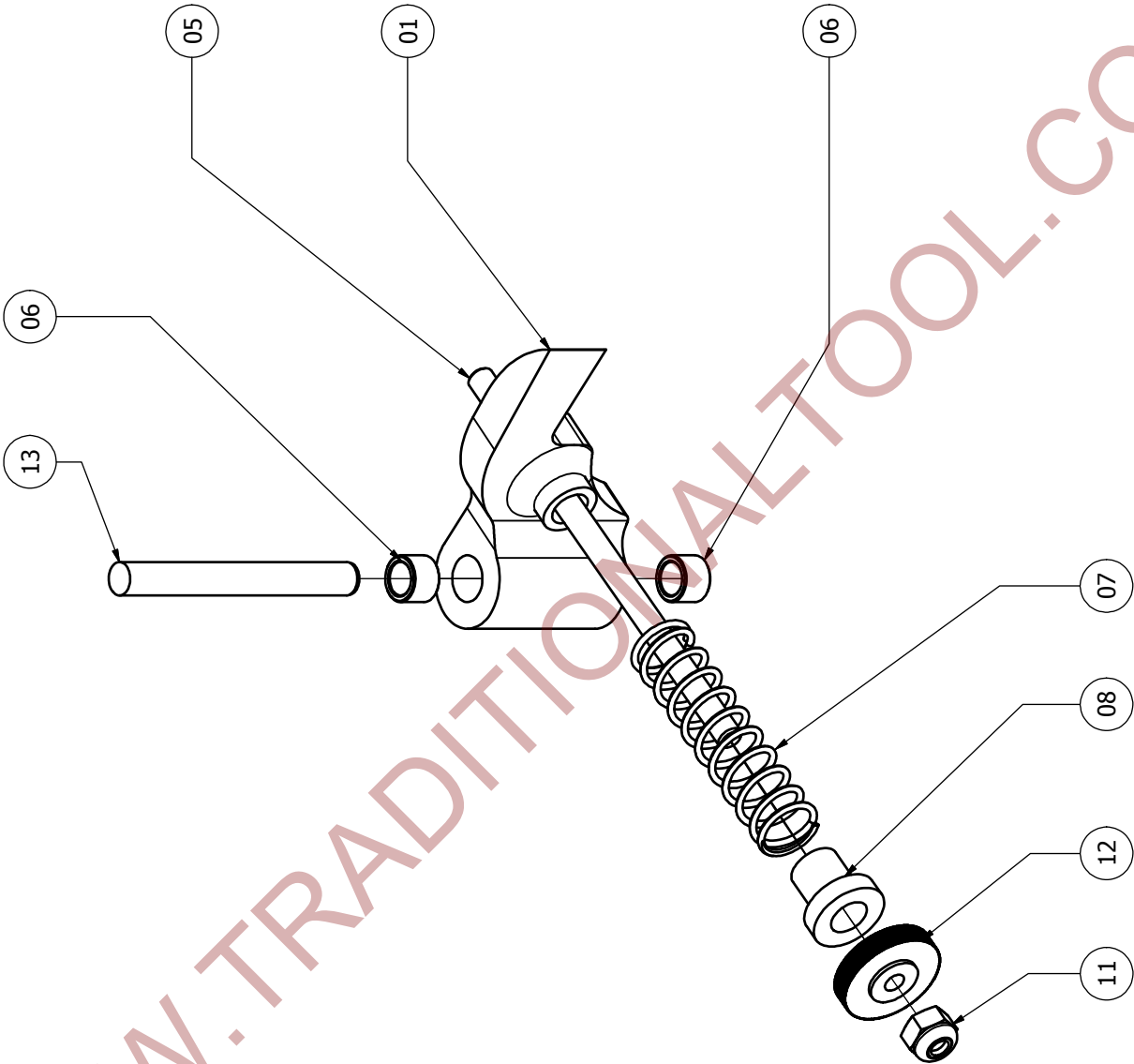
		Product Nr.	Artikelnaam	Description	Benennung
		0303-0232-0001	Knoperkop kmpl	Knotterhead cmpl	Knoterkopf kmpl
		0310-0230-0001	Knoperkop 3K kmpl	Knotterhead 3K cmpl	Knoterkopf 3K kmpl
		0303-0230-0004	Knopersnavel kmpl	Knotterjaw cmpl	Knotertzunge kmpl
		0310-0230-0004	Knopersnavel 3K kmpl	Knotterjaw 3K cmpl	Knotertzunge 3K kmpl



0301-0330-0000		Afschuiwer kmpl			
POS	QTY	Product Nr.	Artikelnaam	Description	Benennung
01	1	0301-0240-01	Kantelblok	Stripper lever	Abstreiferhebel
02	1	0301-0240-02	Afschuiwer	Stripper	Abstreifer
03	1	0301-0240-04	Kantel-as	Swivel-pin	Dreh-zapfen
04	1	0301-0240-06	Nokrol	Cam-roll	Nockerolle
04	1	0303-0240-03	Mes Widia	Knife	Messer
05					
06					
07					
08	2	NTW-06PP-1012ST	Glijlager PAP1012	Slide bearing PAP1012	Gleitlager PAP1012
09					
10					
11	3	NTB-0310-05ST	Veerring M5	Lock washer M5	Sicherungsring M5
12	3	NTB-0110-0512ST	Imbusbout M5x12	Socket-head screw M5x12	Zylinderschraube M5x12
13	2	NTB-0150-0305ST	Schroef M3x5	Screw M3x5	Schraube M3x5
14	2	NTB-0300-03ST	Sluitring M3	Washer M3	Scheibe M3
15	1	NTB-0100-0830ST	Zeskantbout M8x30	Hex bolt M8x30	Sechskant Schraube M8x30
16	1	NTB-0300-08ST	Sluitring M8	Washer M8	Scheibe M8
17	1	NTB-0200-08ST	Zeskant moer M8	Hex nut M8	Gleitlager PAP0810
18	1	NTB-0330-0520ST	Carros. Ring M5x20	Washer M5x20	Scheibe M5x20
19					
20					

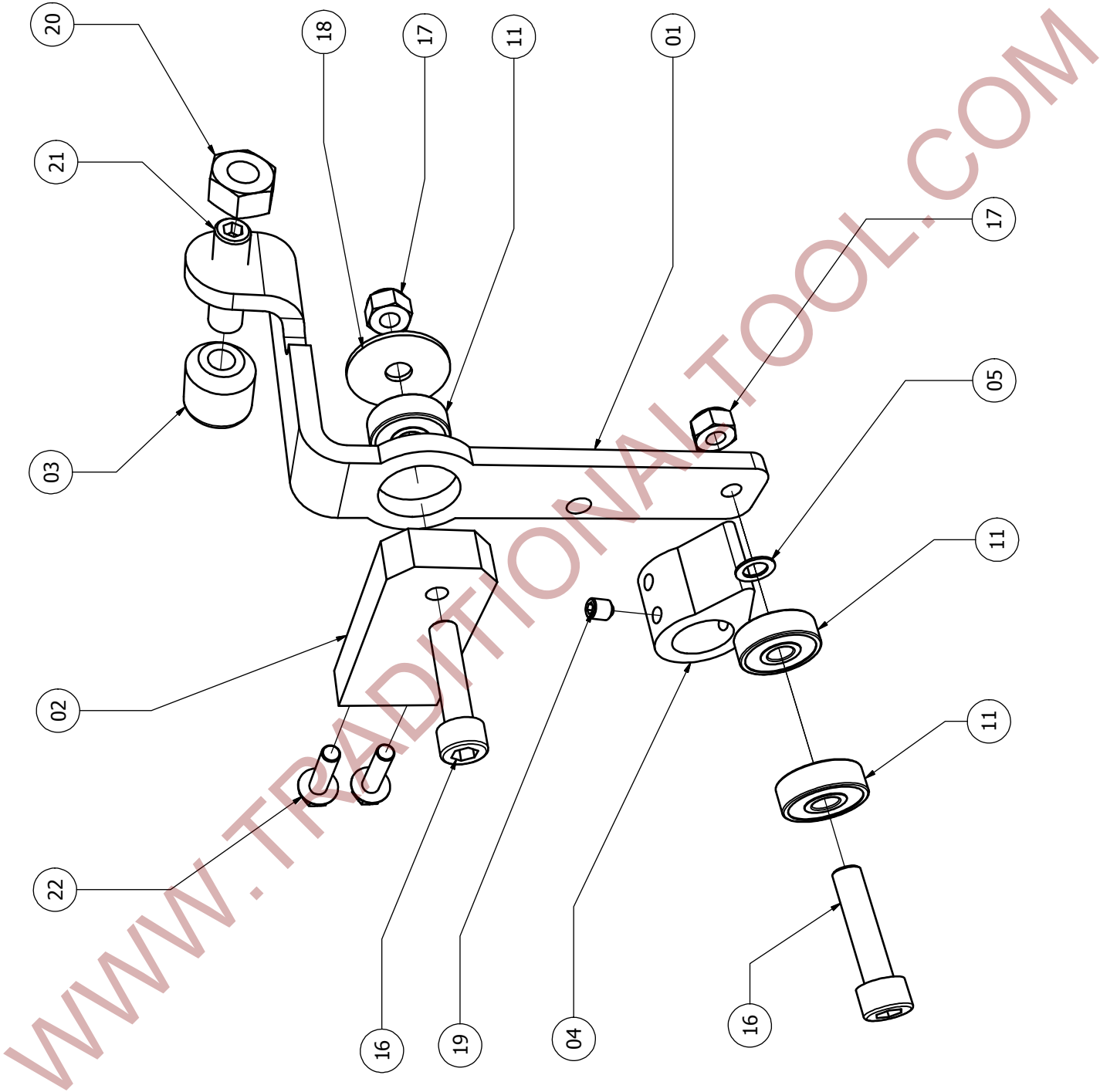


0301-0250-0000		Inwerper kmpl			
POS	QTY	Product Nr.	Artikelnaam	Description	Benennung
01	1	0301-0250-01	Kantelblok	Feeder lever	Einwerferhebel
02	1	0301-0250-05	Inwerperplaat	Feder plate	Einwerfer
03	1	0301-0250-03	Kantel-as	Swivel-pin	Dreh-zapfen
04	1	0301-0250-04	Bus	Bushing	Buchse
04	1	0303-0240-03	Mes Widia	Knife	Messer
05					
06	2	NTW-06PP-0810ST	Glijlager PAP0810	Slide bearing PAP0810	Gleitlager PAP0810
07					
08					
09					
10					
11	1	NTB-0110-0512ST	Imbusbout M5x12	Socket-head screw M5x12	Zylinderschraube M5x12
12	1	NTB-0300-05ST	Sluistring M5	Washer M5	Scheibe M5
13	1	NTB-0700-0540ST	Pen 5x40	Pin 5x40	Stift 5x40
14					
15					

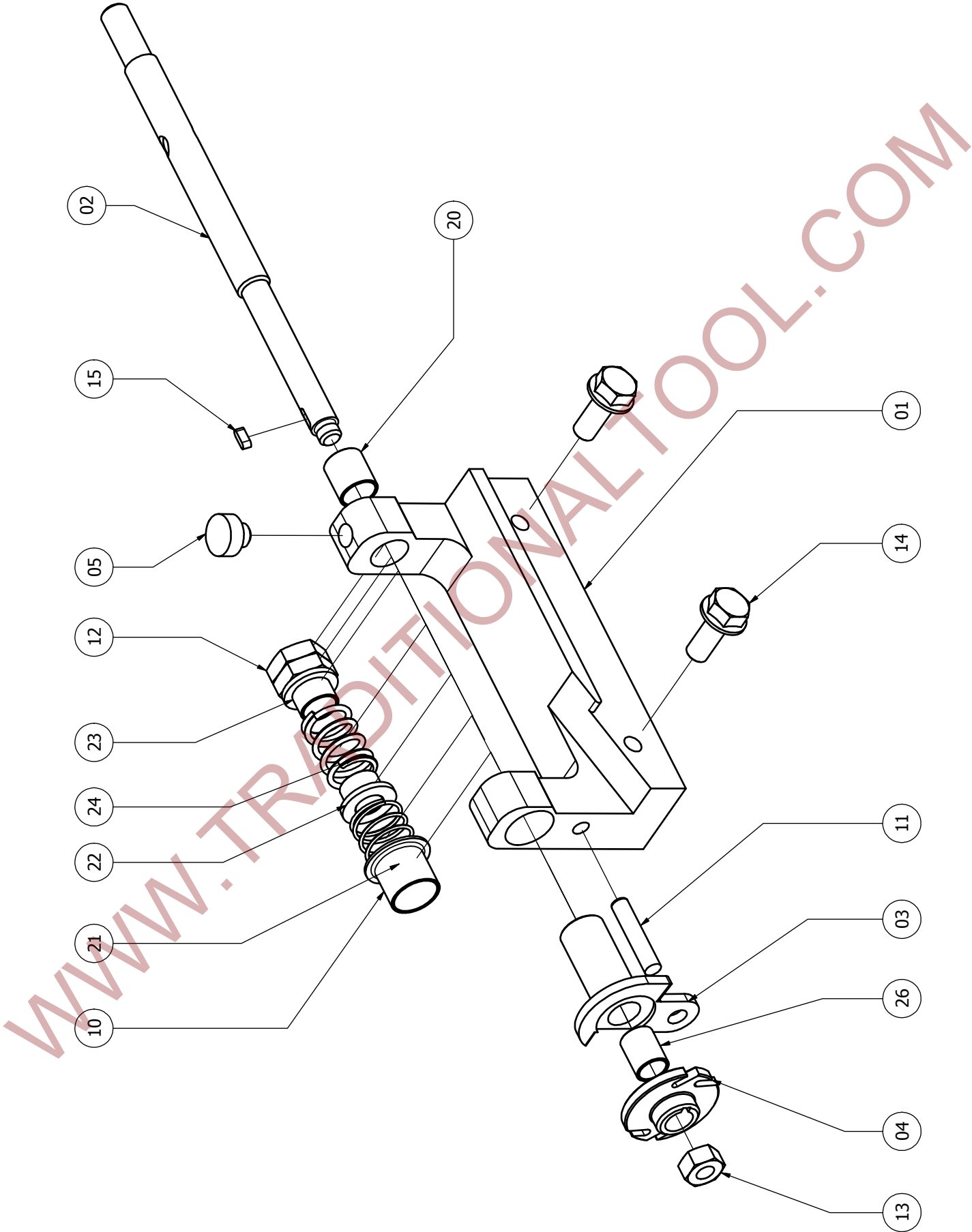


WWW.TRADITIONALTOOL.COM

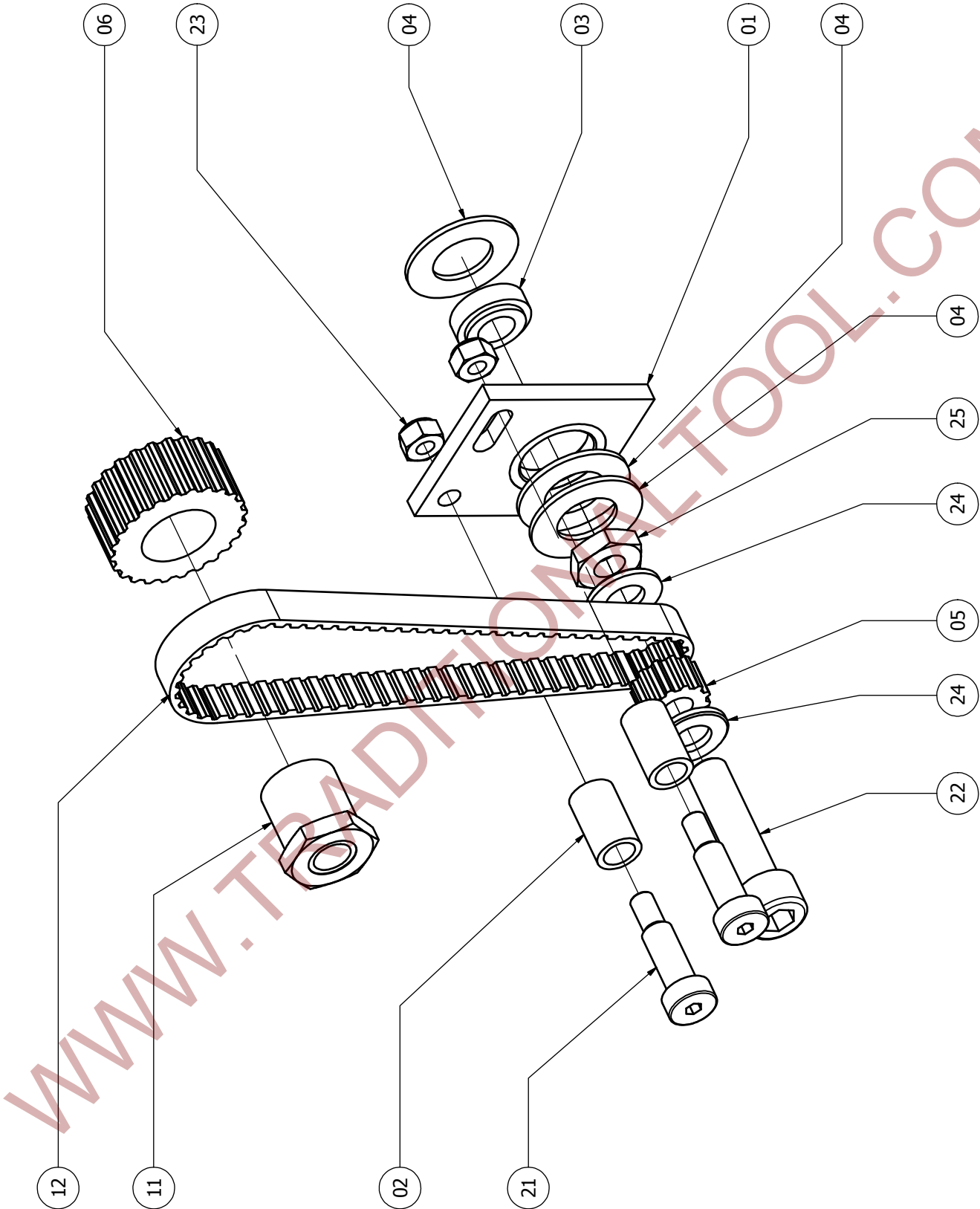
0300-0370-0000		Knopervrijgave			
POS	QTY	Product Nr.	Artikelnaam	Description	Benennung
01	1	0301-0250-01	Knoper-sper	Locking plate	Knotersperre
02					
03					
04					
05	1	NTB-0190-0480ST	Draadeing M4x80	Threaded rod M4x80	Gewinde Stange M4x80
06	2	NTW-06PP-0505ST	Glijlager PAP0505	Slide bearing PAP0505	Gleitlager PAP0505
07	1	NTW-3010-0840	Drukveer	Pressure spring	Druckfeder
08	1	NT3120815	Veercentrering	Bush	Buchse
09					
10					
11	1	NTB-0210-04ST	Borgmoer M4	Lock nut M4	Sicherungsmutter M4
12	1	NTB-0240-04ST	Kartelmoer M4	Knurled nut M4	Randelmutter M4
13	1	NTB-0700-0545ST	Pen 5x45	Pin 5x45	Stift 5x45
14					
15					



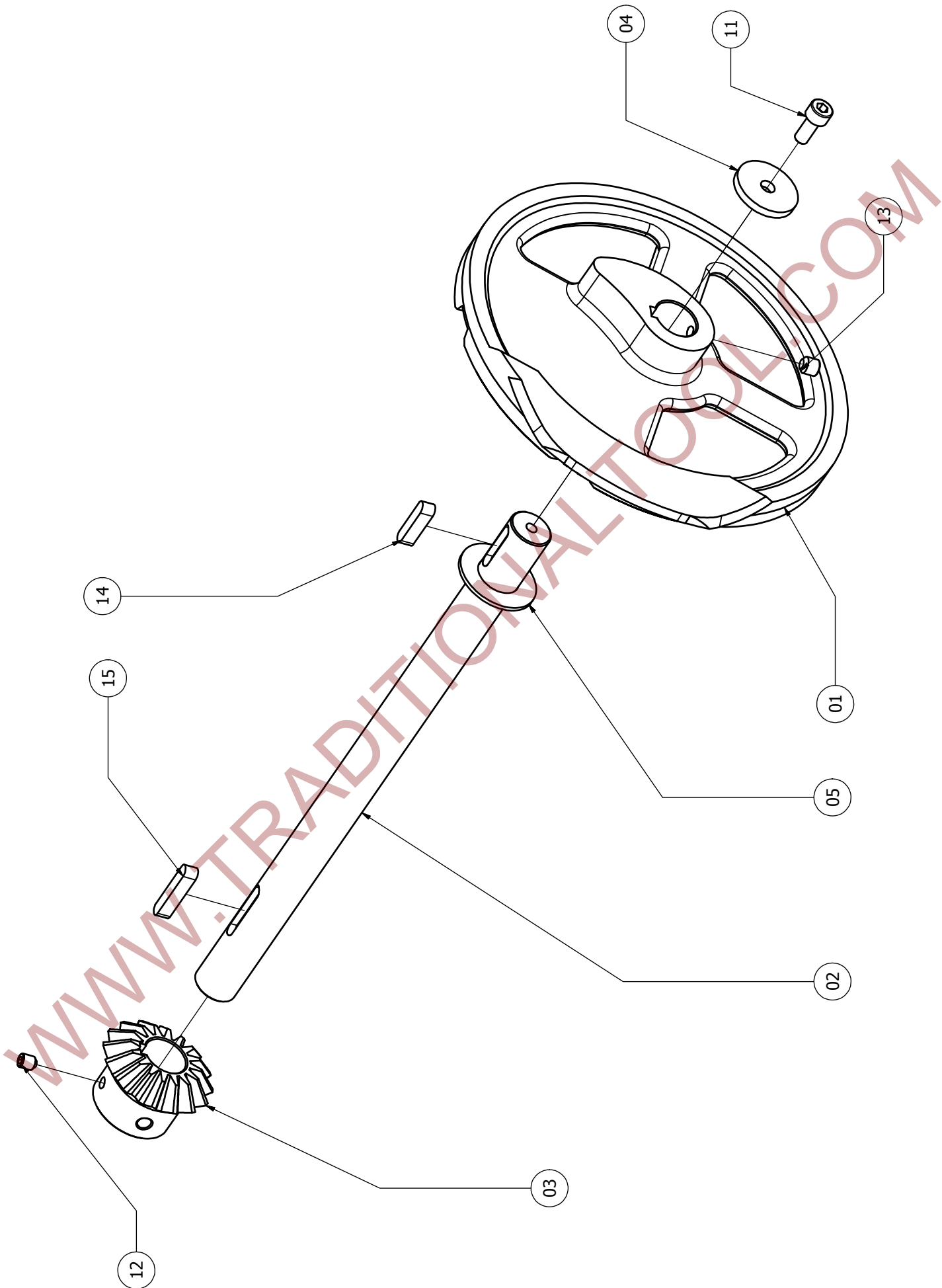
0300-1370-0000		Knopervrijgave '06			
POS	QTY	Product Nr.	Artikelnaam	Description	Benennung
01	1	0303-0233-03	Scharnier	Hinge plate	Knotersperre
02	1	0303-0233-02	Kantelarm	Lever	Hebel
03	1	0303-0233-04	Drukstuk	Locking bush	Sperbuchse
04	1	0303-0233-07	Nok	Cam	Nocke
05	1	0303-0233-06	Vulring	Spacer	Distanzering
06					
07					
08					
09					
10					
11	3	NTW-01RS-061906	Kogellager 626-2RS	Bearing 626-2RS	Kugellager 626-2RS
12					
13					
14					
15					
16	2	NTB-0110-0625ST	Imbusbout M6x25	Socket-head screw M6x25	Zylinderschraube M6x25
17	2	NTB-0210-06ST	Borgmoer M6	Lock nut M6	Sicherungsmutter M6
18	1	NTB-0330-06RV	Caross. Ring 6x25	Disk 6x25	Scheibe 6x25
19	2	NTB-0600-0506ST	Stelschroef M5x6	Set screw M5x6	Stellschraube M5x6
20	1	NTB-0200-08ST	Zeskantmoer M8	Hex nut M8	Sechskantmutter M8
21	1	NTB-0600-0830ST	Stelschroef M8x30	Set screw M8x30	Stellschraube M8x30
22	2	NTB-0105-0520ST	Flens-zeskantbout M5x20	Hex-flange bolt M5x20	Flansch-sechskant schraube M5x20
23					
24					
25					



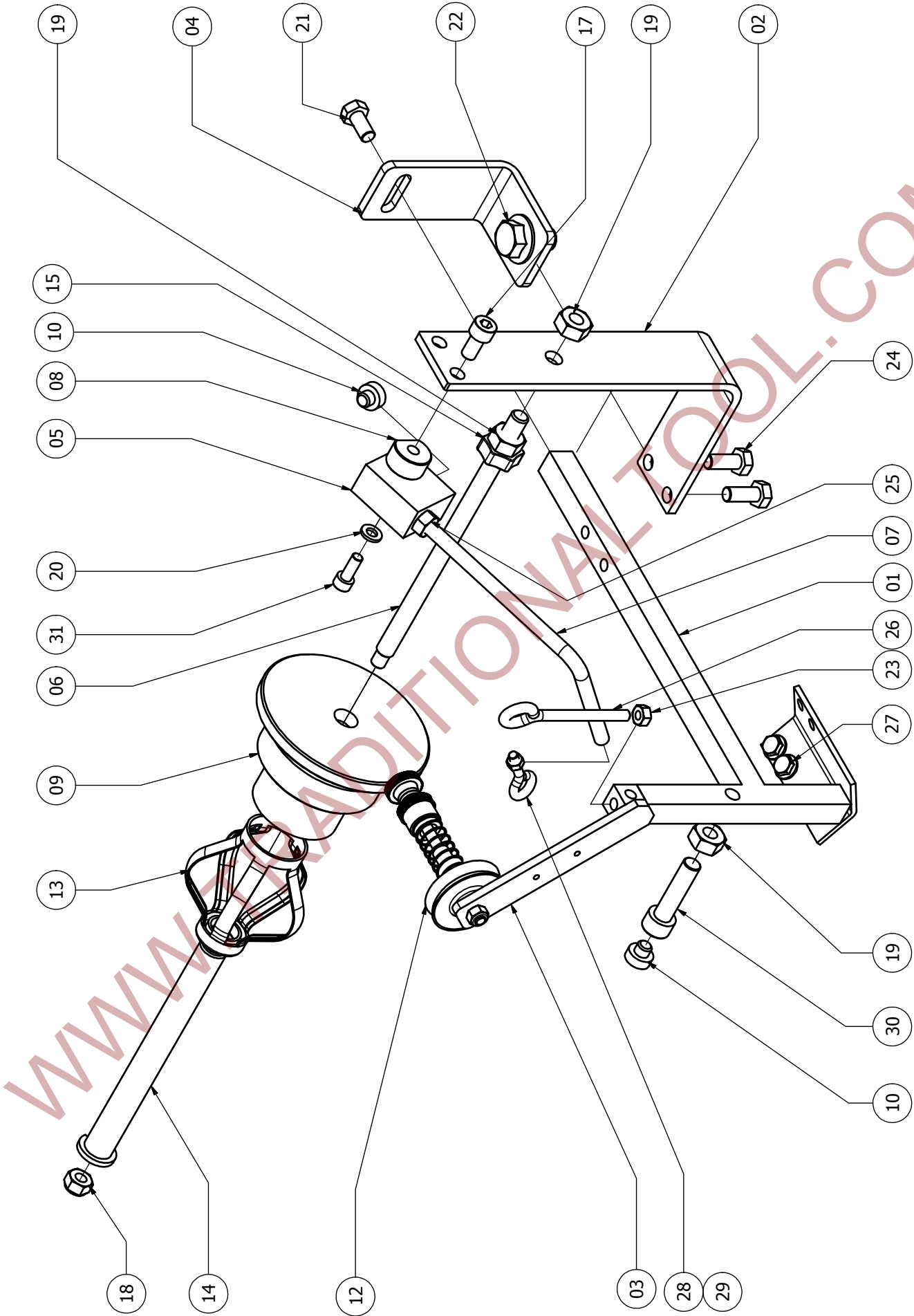
0300-0350-0000		Axro mechanisme			
POS	QTY	Product Nr.	Artikelnaam	Description	Benennung
01	1	0303-0220-01	Axro-drager	Axro-holder	Axro-trager
02	1	0303-0220-02	Rotor-as	Rotor-shaft	Rotor-welle
03	1	0303-0220-05	Stator	Stator	Stator
04	1	0303-0220-04	Rotor	Rotor	Rotor
05	1	0301-0220-07	Demper	Bumper	Dampfer
06					
07					
08					
09					
10					
11	1	NTB-0700-0630ST	Pen 6x30	Pin 6x30	Stift 6x30
12	2	NTB-0220-12-125ST	Lage zeskantmoer M12x1.25	Low hex nut M8	Niedrig Sechskant mutter M8
13	1	NTB-0200-08ST	Zeskantmoer M8	Hex nut M8	Sechskant mutter M8
14	2	NTB-0105-0820ST	Zeskant-flensbout M8x20	Hex-flange bolt M8x20	Flansch-sechskant schraube M8x20
15	1	NTB-0500-0308ST	Spie 3x8	Key 3x8	Passfeder 3x8
16					
17					
18					
19					
20	1	NTW-06PP-1215ST	Glijlager PAP1215	Slide bearing PAP1215	Gleitlager PAP1215
21	1	NTW-3012-1633	Drukveer 1.2x16.6x33	Compression spring 1.2x16.6x33	Druckfeder 1.2x16.6x33
22	1	NTW-06PF-1010KS	Glijlager KST101410	Slide bearing KST101410	Gleitlager KST101410
23	1	NTW-06PF-1210KS	Glijlager KST121410	Slide bearing KST121410	Gleitlager KST121410
24	1	NTW-3020-1430	Drukveer 2.0x14x30	Compression spring 2.0x14x30	Druckfeder 2.0x14x30
25	1	NTW-06PF-1617ST	Glijlager PAF1617	Slide bearing PAF1617	Gleitlager PAF1617
26	1	NTW-06PP-1015ST	Glijlager PAP1015	Slide bearing PAP1015	Gleitlager PAP1015



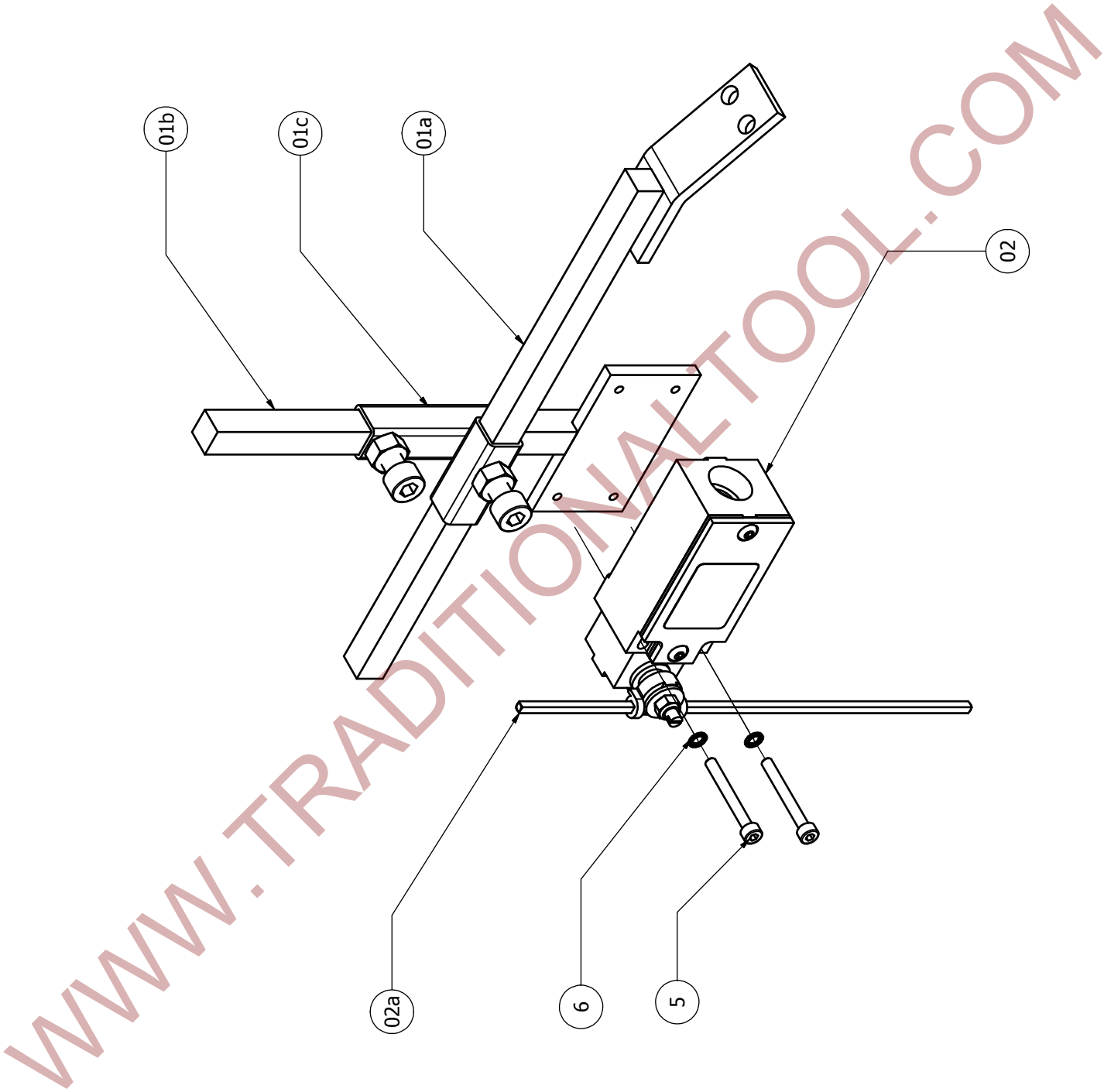
0300-0360-0000		Axro aandrijving			
POS	QTY	Product Nr.	Artikelnaam	Description	Benennung
01	1	0303-0220-10	Riemspanner	Belt-tensioner	Spanner
02	2	0303-0220-12	Lagerbus	Bearing	Lagerbuchse
03	1	0303-0210-06	Ring riemschaner	Tensioner ring	Spanner -ring
04	1	0303-0210-08	Lagerschijf	Slide disk	Gleitscheibe
05	1	0301-0201-05	Tandriemschijf 12-5M	Timing belt wheel 12-5M	Zahnriemscheibe 12-5M
06	1	0301-0220-03	Tandriemschijf 24-5M	Timing belt wheel 24-5M	Zahnriemscheibe 24-5M
07					
08					
09					
10					
11	1	NTW-6001-1020	Klembus N1020K	Clamping set N1020K	Spansatz N1020K
12	1	NTW-25M5-0934	Tandriem HTD- 340-5M	Timing-belt HTD-340-5M	Zahnriem HTD- 340-5M
13					
14					
15					
16					
17					
18					
19					
20					
21	2	NTB-0140-6820ST	Pasbout M6x8x20	Tolerance bolt M6x8x20	Passschraube M6x8x20
22	1	NTB-0110-1040ST	Imbusbout M10x40	Socket-head screw M10x40	Zylinderschraube M10x40
23	2	NTB-0210-06ST	Borgmoer M6	Lock nut M6	Sicherungsmutter M6
24	2	NTB-0320-10ST	Facet-ring M10	Facet-ring M10	Facet-ring M10
25	2	NTB0220-10ST	Lage zeskantmoer M10	Low hex nut M10	Niedrig Sechskant mutter M10



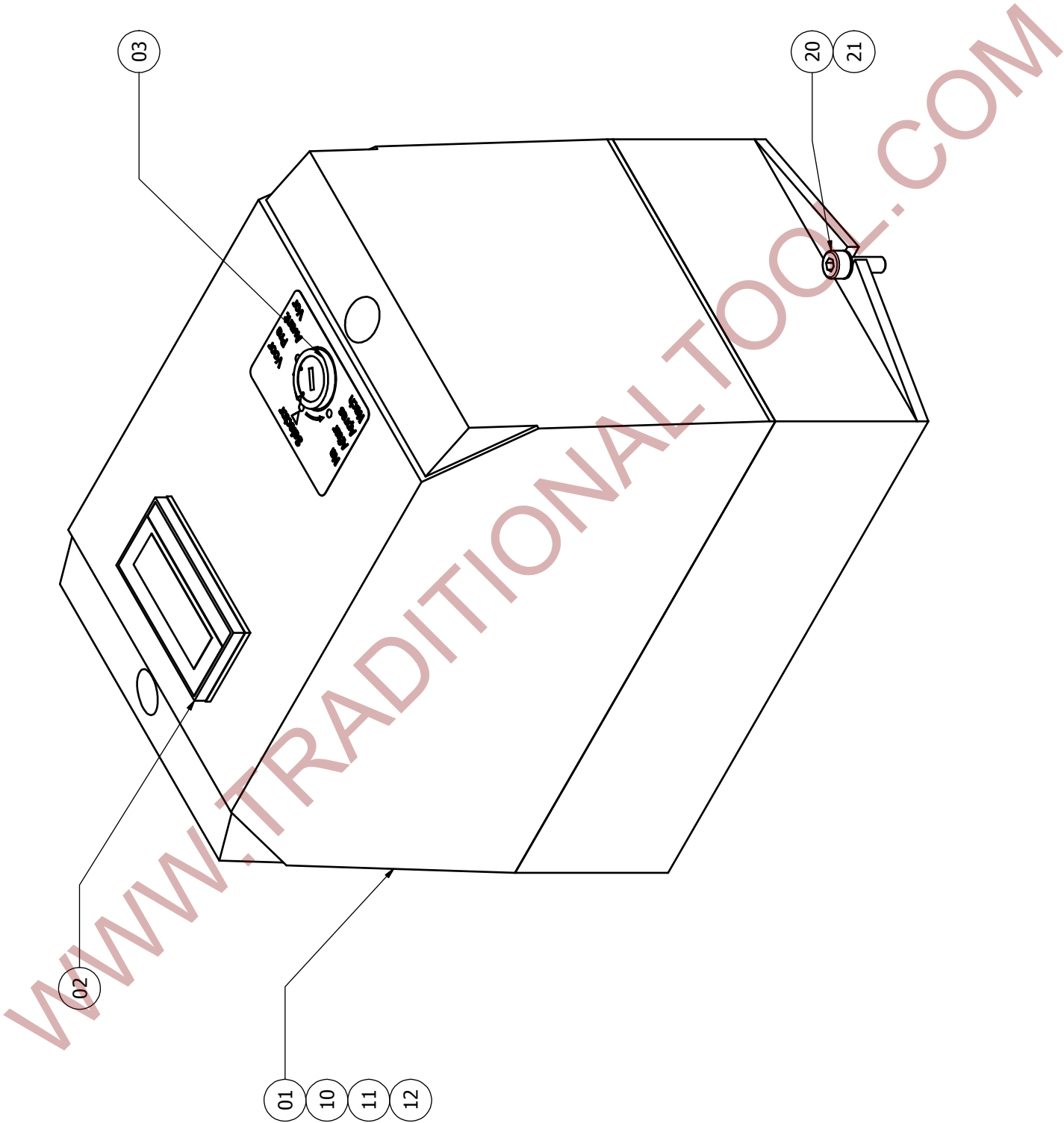
0300-1340-0000		Commandowiel '08 kmpl			
POS	QTY	Product Nr.	Artikelnaam	Description	Benennung
01	1	0301-0210-01	Commandowiel	Driving wheel	Antriebscheibe
01	1	0301-0210-01-HL	Commandowiel gehard	Driving wheel hardened	Antriebscheibe gehartet
02	1	0300-1340-05ST	Hoofdas aggregaat	Main-shaft	Haupt-welle
03	1	0300-1340-10ST	Kegelwiel agg '08	Bevel-gear agg '08	Kegel-rad agg '08
04	1	0301-0210-03	Schijf	Disk	Scheibe
05	1	0303-0210-08	POM Lager-schijf	POM Slide-disk	POM Gleit-scheibe
06					
07					
08					
09					
10					
11	1	NTB-0110-0512ST	Imbusbout M5x12	Socket-head screw M5x12	Zylinderschraube M5x12
12	1	NTB-0600-0506ST	Stelschroef M5x6	Set screw M5x6	Stellschraube M5x6
13	1	NTB-0600-0606ST	Stelschroef M6x6	Set screw M6x6	Stellschraube M6x6
14	1	NTB-0500-0520ST	Spie 5x20	Key 5x20	Passfeder 5x20
15	1	NTB-0500-0525ST	Spie 5x25	Key 5x25	Passfeder 5x25
16					
17					
18					
19					
20					



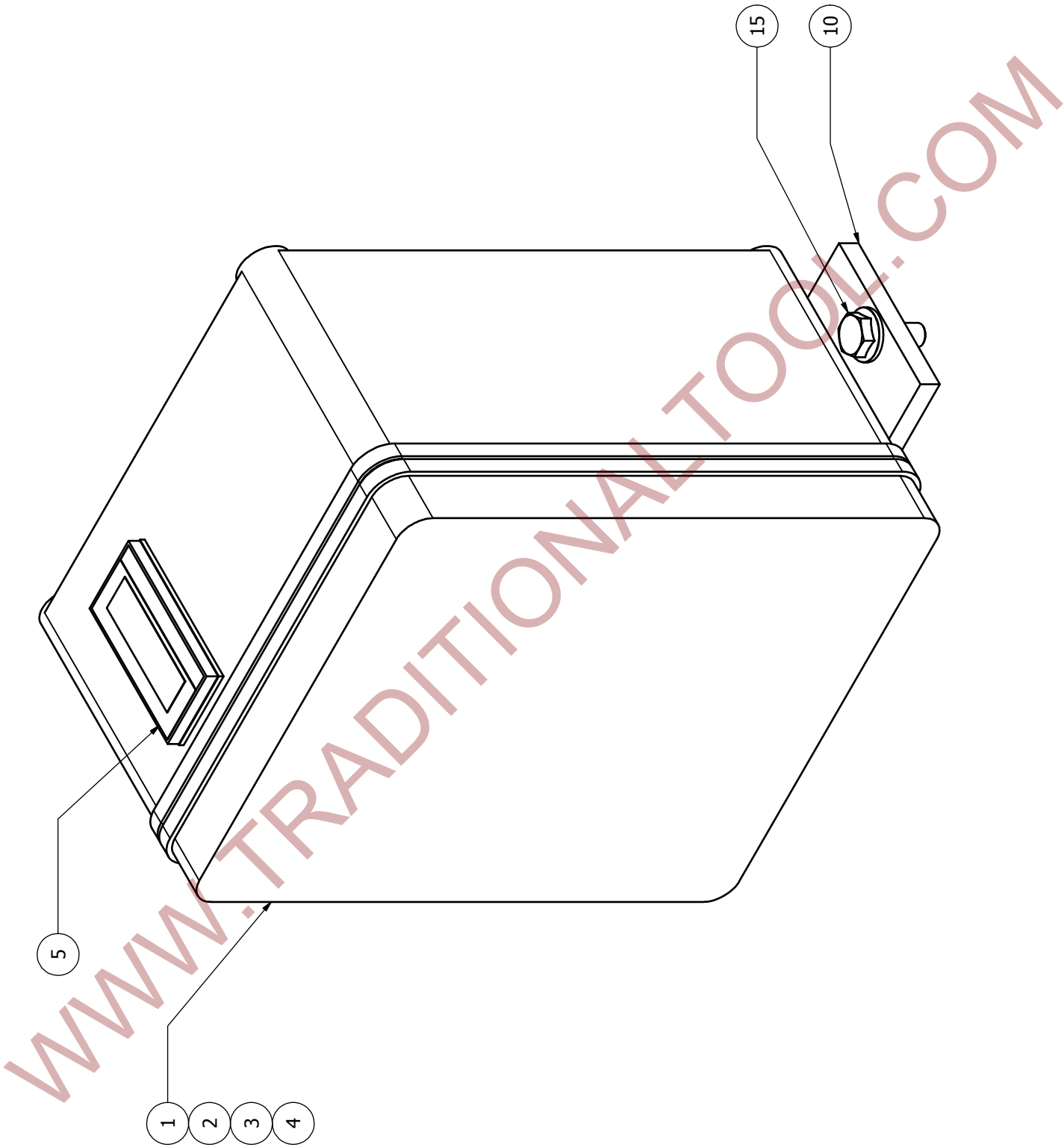
0303-0403-0001		Afrolhouder-R kmpl			
POS	QTY	Product Nr.	Artikelnaam	Description	Benennung
01	1	0303-0403-01	Frame afrolhouder	Frame spoolholder	Gestell Spulenhaltung
02	1	0303-0403-02	Beugel rolhouder	Bracket spool- support	Spulen-stutze
03	1	0303-0403-07	Geleiding	Guide	Führung
04	1	0303-0403-09	Afrolhouder steun	Spoolholder support	Spulenhaltung Stutze
05	1	0303-0403-04	Remblok	Brake-block	Bremshalterung
06	1	0303-0403-05	As afrolhouder	Axle	Achse
07	1	0303-0403-06	Remarm	Brake-axle	Brems-achse
08	1	0303-0403-03	Excenter-as	Excenter-axle	Excenter-achse
09	1	0303-0403-08	Spoelhouder	Spoolholder	Spulenhalter
10	2	0301-0220-07	Stootdemper	Bumper	Dampfer
11					
12	1	ZZ-20095-1000	Elastiekrem	String brake	Fadenbremse
13	1	ZZ-20095-2003	Spoelhouder Nylon	Spoolholder Nylon	Spulenhalter Nylon
14	1	ZZ-20095-2002	Doorn M16x192 Nylon	Spindle M16x192 Nylon	Gewindedorn M16x192 Nylon
15	1	ZZ-20095-2001	Moer M16 Nylon	Nut M16 Nylon	Mutter M16 Nylon
16					
17	1	NTB-0110-0816ST	Imbusbout M8x16	Socket-head screw M8x16	Zylinderschraube M8x16
18	1	NTB-0210-08ST	Borgmoer M8	Lock nut M8	Sicherungsmutter M8
19	3	NTB-0200-10ST	Zeskantmoer M10	Hex nut M10	Sechskant mutter M10
20	1	NTB-0300-06ST	Sluitring M6	Washer M6	Unterlegscheibe M6
21	1	NTB-0100-0816ST	Zeskantbout M8x16	Hex bolt M8x16	Sechskant schraube M8x16
22	2	NTB-0105-1220ST	Flens-zeskantbout M12x20	Hex-flange bolt M12x20	Flansch-sechskant schraube M12x20
23	1	NTB-0200-06ST	Zeskantmoer M6	Hex nut M6	Sechskant mutter M6
24	2	NTB-0110-0820ST	Imbusbout M8x20	Socket-head screw M8x20	Zylinderschraube M8x20
25	1	NTB-0200-08ST	Zeskantmoer M8	Hex nut M8	Sechskant mutter M8
26	1	NTB-0150-0660ST	Oogbout M6x60	Eye bolt M6x60	Osenschraube M6x60
27	2	NTB-0105-0610ST	Flens-zeskantbout M6x10	Hex-flange bolt M6x10	Flansch-sechskant schraube M6x10
28	1	NTB-0150-0520ST	Oogbout M5x20	Eye bolt M5x20	Osenschraube M5x20
29	1	NTB-0200-05ST	Zeskantmoer M5	Hex nut M5	Sechskant mutter M5
30	1	NTB-0110-1040ST	Imbusbout M10x40	Socket-head screw M10x40	Zylinderschraube M10x40
31	1	NTB-0110-0616ST	Imbusbout M6x16	Socket-head screw M6x16	Zylinderschraube M6x16



87110006		Bovenschakeling kmpl			
POS	QTY	Product Nr.	Artikelnaam	Description	Benennung
01a+ 01b+ 01c	1	0303-600-05	Bovenschakeling houder	Top-switch bracket	Obenschalter stutze
02	1	ZZ-21646-1000	Startschakelaar		
(02a)	1	ZZ-21646-1008	Schakelpen		
03					
04					
05	2	NTB-0110-0435ST	Imbus M4x35	Socket-head screw M4x35	Zylinderschraube M4x35
06	2	NTB-0340-04RV	Borgring M4 RVS	Lock washer M4	Sicherungsring M4
07					
08					
09					
10					



0301-0602-0230		E-unit '06 RLC 230V			
0301-0602-023B		E-unit '06 RLC 230V Basic			
0301-0602-0100		E-unit '06 RLC 100V			
0301-0602-010B		E-unit '06 RLC 100V Basic			
POS	QTY	Product Nr.	Artikelnaam	Description	Benennung
01	1	NTS-1004-M161014	ML kast C1K2145	Control box	Steuerungs-box
02	1	ME999	Totaal-teller CP2-2108	Counter	Teller
03	1	NTS-0506-1001	Keuzeschakelaar	Selector switch	Wahlschalter
230V					
10	1	NTS-0102-01002	OM Relais MY4- IN 230AC	Main relay 230V	Haupt-relais 230V
11	1	NTS-0102-1001 (niet in basic)	OM Relais G2R- 2-SNI 230VAC	Secundair relay 230V	Hilfs-relais 230V
12	1	NTS-5905-002T	Glaszekering 5x20; 2 Amp	Fuse 2 Amp	Sicherung 2 Amp
100V					
10	1	NTS-0102-2002	OM Relais MY4- IN 110AC	Main relay 110V	Haupt-relais 110V
11	1	NTS-0102-2001 (niet in basic)	OM Relais G2R- 2-SNI 110AC	Secundair relay 110V	Hilfs-relais 110V
12	1	NTS-5905-005T	Glaszekering 5x20; 5 Amp	Fuse 5 Amp	Sicherung 5 Amp
20	2	NTB-0110-0412ST	Imbus M4x12	Socket-head screw M4x12	Zylinderschraube M4x12
21	2	NTB-0340-04RV	Borgring M4 RVS	Lock washer M4	Sicherungsring M4



0301-0603-0000		E-unit FQC			
POS	QTY	Product Nr.	Artikelnaam	Description	Benennung
01	1	ME490A	Fibox-kast ABS-H95G	Control box	Steuerungs-box
02	1	ME487-230	MCA Regelaar	Freq. controller	Frequenz-regler
03	1	ME487A	RASMI Netfilter	RASMI Filter	
04	1	0303-0600-07	Printplaat	Printed circuit-board	Leiterplatte
05	1	ME999	Totaal-teller CP2-2108	Counter	Teller
10	1	0303-0602-06	Montagestrip	Mounting-plate	Montage-platte
15	2	NTB-0105-0616ST	Zeskantflensbout M6x16	Hex-flange bolt M6x16	Flansch-sechskant schraube M6x16