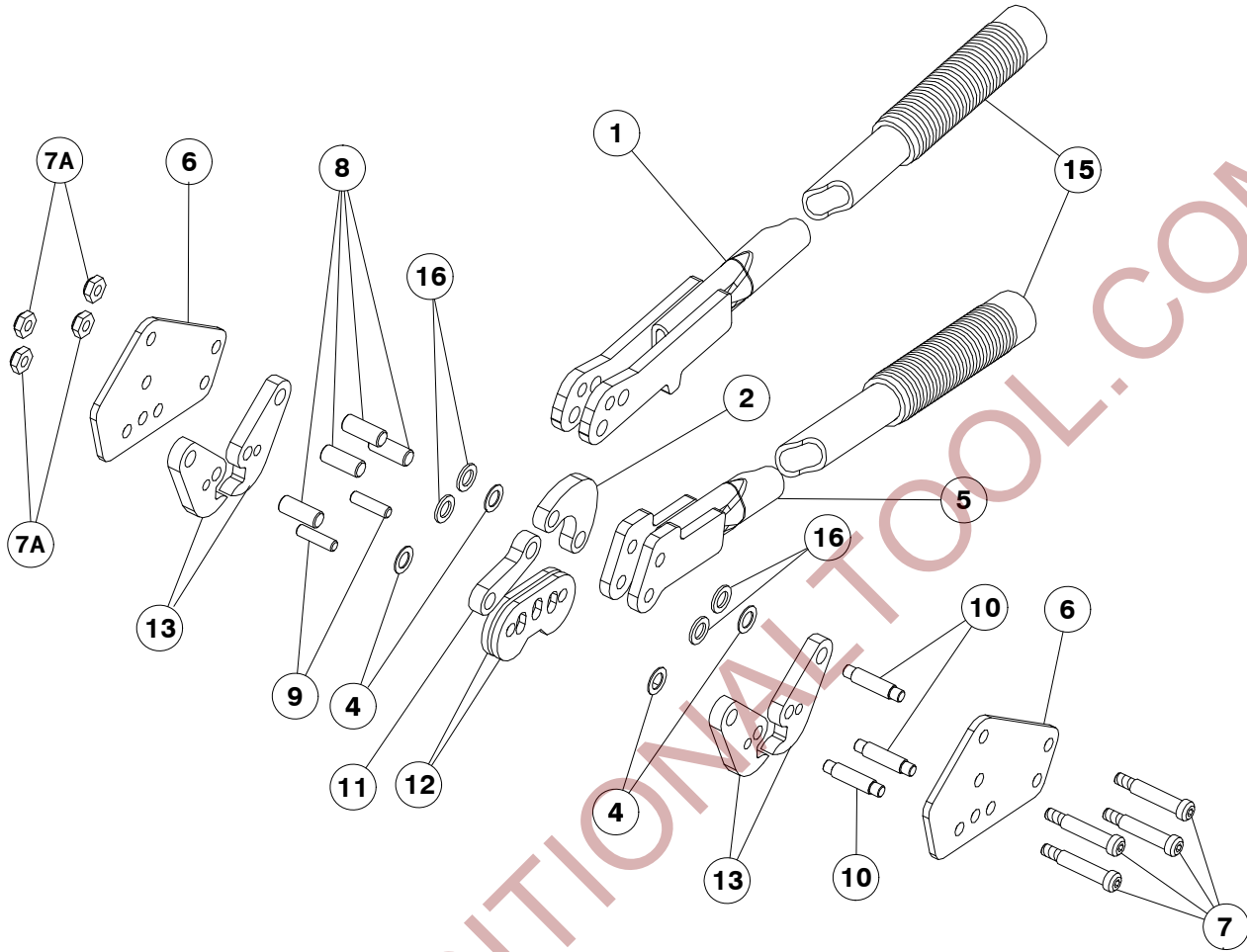


**MIP-3000 SINGLE NOTCH STEEL SEALER**



<u>KEY#</u>	<u>DESCRIPTION</u>	<u>QTY</u>	<u>PART#</u>
1	Upper Handle Assembly	1	M3000-1
• 2	Curved Toggle Link	1	M3000-2
4	Washer	4	M3000-4
5	Lower Handle Assembly	1	M3000-5
# 6	Side Plate	2	M3000-6
• 7	Bolt	4	M3000-7
• 7A	Nut	4	M3000-7A
• 8	Jaw/Handle Pin	4	M3000-8
• 9	Small Jaw Pin	2	M3000-9
• 10	Toggle Pin	3	M3000-10
• 11	Toggle Link	1	M3000-11
• # 12	Notcher	2	M3000-12
• 13	Jaw	4	M3000-13
15	Handle Grip	2	M3000-15
16	Spacer	4	M3000-16

Reference part number when ordering.

This sealer is available in 3/4", 1", and 1-1/4" sizes.

# Reference part number and size when ordering.

• Wear part

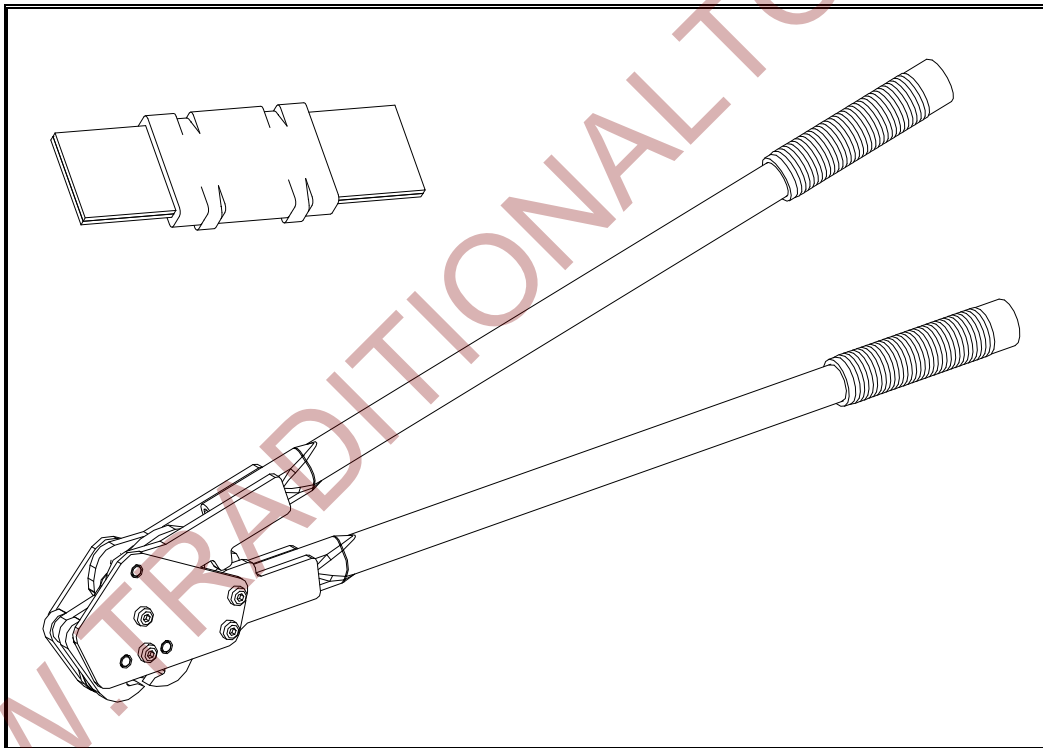
Read all operating & safety instructions.

**NOTE:** This is a single notch sealer, and must be used *twice* per seal for full seal strength

## MIP-3000 OPERATING INSTRUCTIONS

### OPERATING INSTRUCTIONS:

1. Hold the MIP-3000 horizontally and center the jaws offset from one end of the seal.
2. Press the handles of the sealer together while keeping the sealer in a horizontal position. The seal will be completely sealed when the handles are horizontal and can be squeezed no further.
3. Remove the sealer and center the open jaws across the opposite end of the seal. Again, press the handles of the sealer until they are brought completely together.
4. Remove the sealer and inspect the seal to verify the seal is properly holding the strap. The seal should have a total of four indentations (notches), two on each side. The notches should be centered on the seal. The seal should lay flush against the strapping with both ends of the strapping passing completely through the seal. If seal is not properly formed, remove it and begin again. Attempting to reseal will not ensure a proper seal and will decrease the break strength.
5. Never use the sealer to break the strap. Breaking the strap without the proper cutters may cause the strap to snap back toward the operator, possibly resulting in serious injury or death. This action will also cause damage to the sealer, which will require the sealer to be repaired or replaced at owner's expense.



### SAFETY WARNINGS:

- This is a single notch sealer and must be used **twice** on each seal to ensure full seal strength.
- Before operating the tool, review the enclosed MIP, Inc. General Hand Tools and Strapping Safety booklet. Only trained personnel should operate MIP, Inc. hand tools.
- Keep fingers away from areas that can pinch or cut. These areas are primarily located at the front of the tool.
- Only use equipment recommended for the strap. The MIP-3000 is recommended only for .025-.031 gauge steel, and each tool is specific to strap width. The MIP-3000 is available in 3/4", 1", 1-1/4" sizes.
- Review the instructions and safety material on a regular basis.
- **Warning:** Improper use may result in blindness, severe laceration, amputation, or death.