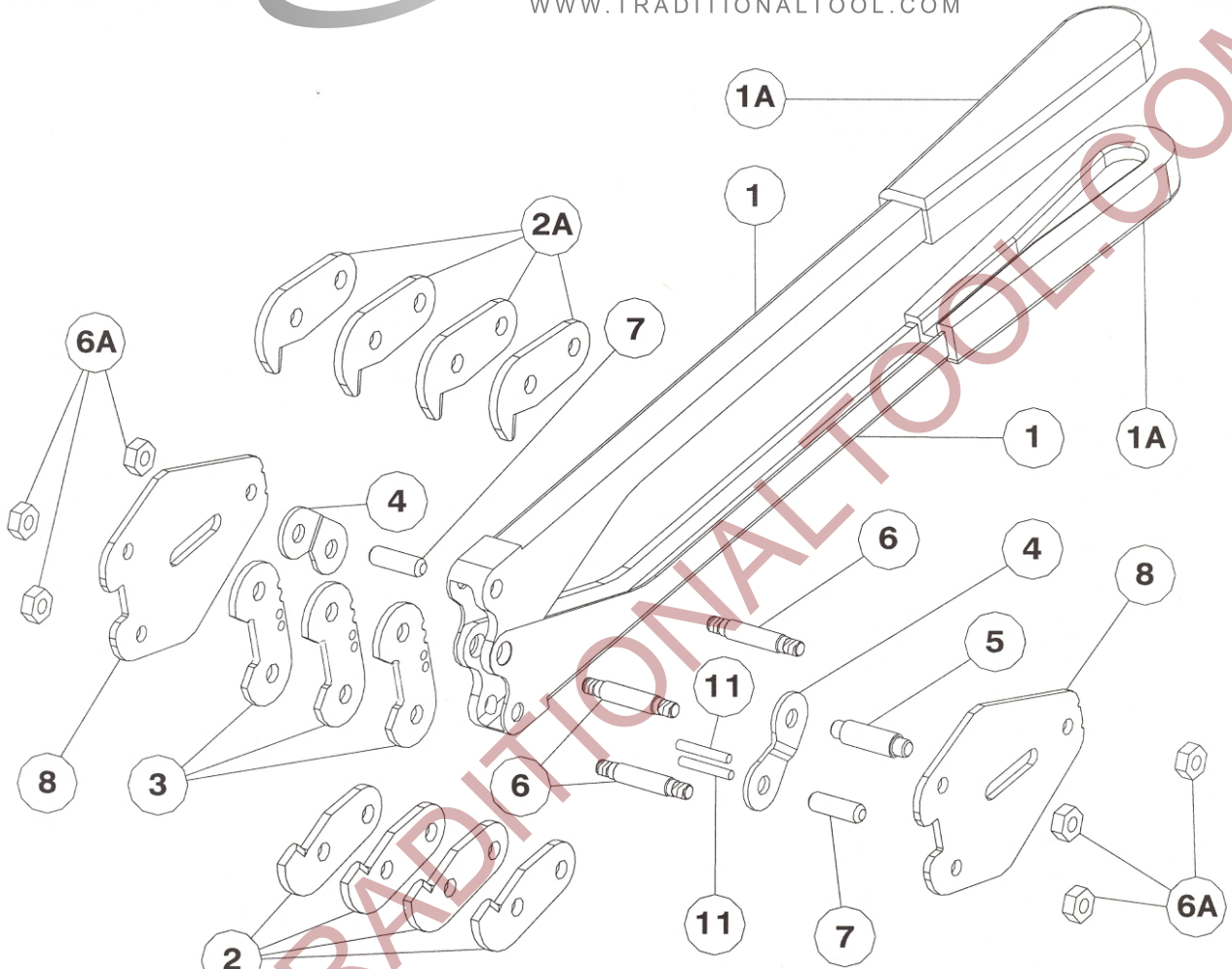


MIP - 420 HEAVY DUTY OFFSET POLY STRAP SEALER



KEY#	DESCRIPTION	QTY	PART#
1	Handle	2	M420-1
1A	Handle Sleeve	2	M420-1A
• 2	Offset Jaw – Short	4	M420-2
• 2A	Offset Jaw – Long	4	M420-2A
• 3	Shear	3	M420-3
4	Connecting Plate	2	M420-4
• 5	Link Pin	1	M420-5
• 6	Jaw Pivot Pin	3	M420-6
• 6A	Jaw Pivot Pin Nut	6	M420-6A
• 7	Handle Pin	2	M420-7
• 8	Side Plate	2	M420-8
• 11	Roll Pin	2	M420-11

Reference part number when ordering.

This sealer is available in 1/2" and 5/8" sizes.

Reference part number and size when ordering.

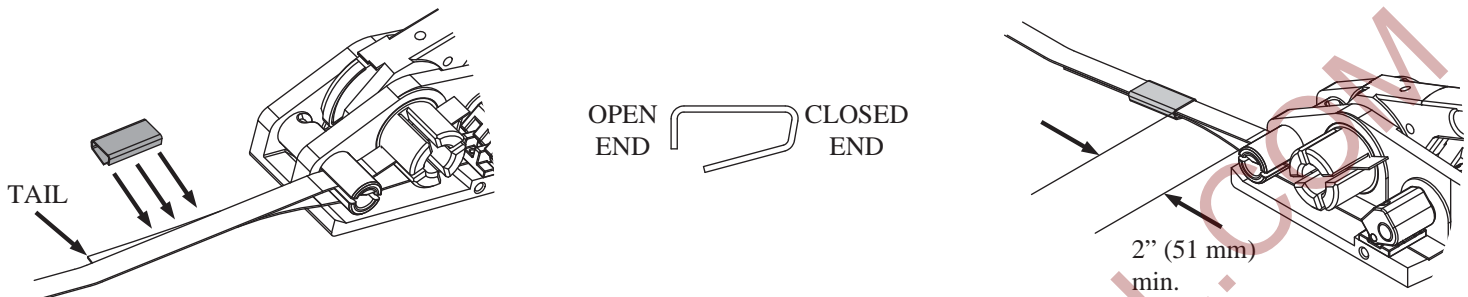
• Wear part

Read all operating & safety instructions.

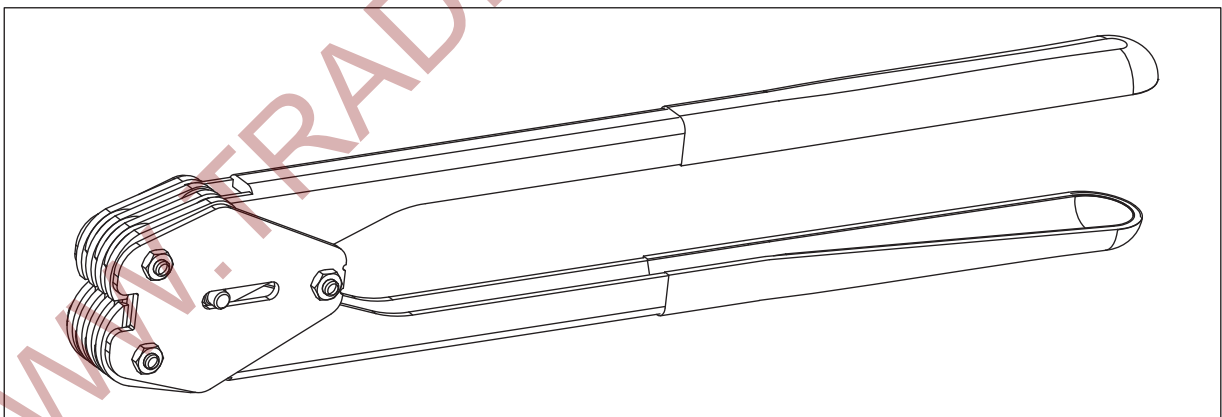
MIP-420 OPERATING INSTRUCTIONS

OPERATING INSTRUCTIONS:

1. When installing the seal, if the tail of the strap is not aligned with the top strap, install the seal so the closed end re-aligns the tail with the top strap. Once re-aligned, ensure the seal is located at least 2 inches from the front edge of tensioner.



2. Hold the MIP-420 vertically and place the jaws of the tool across the middle of the seal. This step is very important as a seal crimped off-center may cause the strap to become loose and snap apart, possibly resulting in serious injury or death.
3. Press the handles of the sealer together while keeping the sealer in a vertical position. The seal will be completely sealed when the handles are vertical and can be squeezed no further.
4. Remove the sealer and inspect the seal to verify the seal is properly holding the strap. The indentations should be centered on the seal. The seal should lay flush against the strapping with both ends of the strapping passing completely through the seal. If seal is not properly formed, remove it and begin again. Attempting to reseal will not ensure a proper seal and will decrease the break strength.
5. Never use the sealer to break the strap. Breaking the strap without the proper cutters may cause the strap to snap back toward the operator, possibly resulting in serious injury or death. This action will also cause damage to the sealer, which will require the sealer to be repaired or replaced at owner's expense.



SAFETY WARNINGS:

- Before operating the tool, review the enclosed MIP, Inc. General Hand Tools and Strapping Safety booklet. Only trained personnel should operate MIP, Inc. hand tools.
- Keep fingers away from areas that can pinch or cut. These areas are primarily located at the front of the tool.
- Only use equipment recommended for the strap. The MIP-420 is recommended only for 1/2" (12.7 mm) or 5/8" (15.9 mm) polyester strap. Note: Each tool is designed for use with only one strap width.
- Review the instructions and safety material on a regular basis.
- **Warning:** Improper use may result in blindness, severe laceration, amputation, or death.