

INSTRUCTION MANUAL

ST-BET10/19 LT/HT



COLUMBIA

 **M. J. MAILLIS GROUP**

Operating instructions manual

ST-BET 10-19 LT/HT

CE

Contents

1. SAFETY STANDARDS	page 3
2. TECHNICAL DATA	page 5
3. ACCESSORIES	page 5
4. MACHINE COMPOSITION	page 6
5. MACHINE INSTALLATION	page 6
6. OPERATING INSTRUCTIONS	page 7
7. WELDING INSPECTION	page 9
8. MAINTENANCE AND REPAIRS	page 11
9. GUARANTEE	page 16
10. CE CONFORMITY CERTIFICATE	page 17
11. SPARE PARTS LIST LT	page 18
12. SPARE PARTS LIST HT	page 21
13. ASSEMBLY DRAWING	page 24

1. SAFETY STANDARDS



It is necessary to read the manual herein, to correctly carry out the information it contains, to use the equipment in conformity with the manufacturer's instruction and in conformity with current accident prevention regulations to avoid accidents and serious injuries both to operators and third parties and damages to the equipment.



It is mandatory to inform in advance all personnel operating on the equipment on the contents of the manual herein, especially the chapters related to safety provisions, use and maintenance.

This instruction manual is addressed to all personnel concerned in the handling, operation, maintenance and cleaning of the equipment, and is part and parcel of the same, it is therefore necessary to preserve it for future reference and when ordering spare parts.

The manufacturing company reserves the right to modify the manual herein at any time, with no obligation to update previous machinery and manuals.

Contact you retailer for any question concerning the equipment.

GENERAL REMARKS AND INSTRUCTIONS



INTENDED USE

The equipment described in the manual herein is intended, in conformity with design specifications, solely for packing purposes using plastic straps, every other use is forbidden.

The equipment must be used, serviced and cleaned only by adequately trained personnel, that must have read the manual herein; the non compliance of its provisions, the forbidden or incorrect use of the equipment and lack of maintenance lift the manufacturer from any liability and make guarantee terms null.

Any defect, malfunction, or wear of the equipment must be promptly notified to the manager by the operator in charge of the equipment; never use equipment that shows clear signs of damage or wear.

OPERATORS' SAFETY EQUIPMENT



Pay attention to those parts that may cause injuries, such as cuts, abrasions or crushing, also in relation with the product to be packaged; to this purpose it is necessary to wear protection goggles or masks to protect the eyes and/or face as well as safety gloves, when using the strapping tool under tension.

WORK ENVIRONMENT

The work place must be kept tidy and clean for safety purposes.

Use the equipment in a stable position, checking that the equipment itself cannot injure anyone even if it falls, we suggest to block it in position with the hook intended for this purpose.

This equipment has been designed to be used with environmental temperatures between +5 C° +45 C°, it is on any account advisable to avoid very damp locations, and when used outdoors avoid exposure to rain.

Do not use in places where there is danger or fire or explosion.

SAFE USE OF THE STRAPPING TOOL



It is forbidden to lift, hang or pull the packaging using the straps, the non compliance with this provision may result in serious risks for persons or damages to equipment.

To unroll the strapping tool use the device intended for this purpose; always rewind any excess strap. Do not scatter pieces of unused strap in the work place.

Remember that tensioned straps may be only cut with special shears, avoid to use tools that are not adequate; keep at a safe distance from the strap to be cut, and verify that no other person is near the risk area, cut straps tend to snap backwards.

Serious injuries and damages to equipment may result if the equipment is not correctly used, if the strap is over tensioned and/or if non adequate straps are used, in relation with the product to be packaged (sharp edges, high temperatures, etc.), due to sudden sagging or breackage of the straps.

The operator in charge of strapping is responsible for the quality of the same, it is therefore advisable to specially train personnel in relation with the evaluation and control criteria of the **sealing** and of the adjustments to be done to optimize it, listed in the following chapters.

Detective sealings do not guarantee safety conditions during handling of goods, and may cause serious injuries to persons and/or damages to equipment if they sag; do not handle packaged goods with doubtful or defective sealings.

MACHINE MAINTENANCE



Disconnect the battery before carrying out any intervention on the machine.

It is strictly forbidden to modify the machine or to remove the safety protections installed. Maintenance or repair works, as well as the normal substitution of worn parts and cleaning operations, must be carried out by personnel duly qualified by authorized distribution outlets and service centers.

INSTRUCTION FOR THE BATTERIES



Depleted or defective batteries must be disposed of in conformity with current law provisions, they must not be discharged in the environment.

It must be remembered that the batteries must be kept with care, the poles must be protected with their cap to avoid short circuits, they must be kept in a dry place, protected from frost and humidity, and must not be exposed to temperatures exceeding 50°C.

They must not be over charged, and in the event of defects or breakages of the body, they must be immediately substituted and not re-charged. Do not try to open the batteries.

Further information is supplied in the enclosed instructions from the batteries manufacturer.

INSTRUCTION FOR THE BATTERY CHARGER



Before using the battery charger, make sure that the plug and the cable are not damaged, if necessary substitute them. Also check that the battery housing is clean and the contacts are not damaged.

Always protect from humidity, blows and temperatures exceeding 50°C and from frost.

Further information is supplied in the enclosed instructions from the batteries manufacturer.

2. TECHNICAL DATA

DESCRIPTION

The equipment described in the manual herein is intended to strap packaging with plastic straps using a vibration welding system. The strap must be manually positioned around the goods to be packaged with care, it must then be positioned in the machine, tensioned and sealed by welding, and at the same time cut and separated from the rest of the strap.

DIMENSIONS AND CHARACTERISTICS WITH INSTALLED BATTERY (standard configuration without accessories)

Length :	mm 380
Width:	mm 150
Height :	mm 140
Strap quality	PP/PET
Sealing type	vibration
Welding efficiency	75-85% of breakage load of the used strap
Neck type	flat
Strap width	10-19 mm.
Strap thickness	0,5-1,05 mm.
Max. tension	LT 2000N./203 kg. - HT 3.200 N. / 325 kg.
Max. tension speed	LT 240 mm/sec. – HT 200 mm/sec.
Cycles per load	LT 140/240 – HT 100/200
Standard re-load time (optional)	80 min.
Fast re-load time	20 min.
Battery	Makita 12 VDC / 2.0 Ah – Ni-CD Makita 12 VDC / 2.6 Ah – Ni-MH (optional)
Charger	Makita 12 VDC
Weight (including battery)	LT 4,3 kg. – HT 4,6 kg.

MODELS TABLE

Model	Code	Strap width
ST-BET 10-19 LT	119.990.810	10-19 mm.
ST-BET 10-19 HT	118.990.810	10-19 mm.

3. ACCESSORIES



Only use original accessories listed in this manual.

BATTERIES

Spare batteries with the following codes are available:

Type NI-CD 12 VDC 2.0 Ah code 521002600

Type Ni-MH 12 VDC 2.6 Ah code 521002620

For information regarding the characteristics, the operating procedures and maintenance, please refer to the instructions attached to the product by the manufacturer.

BATTERY CHARGER

The battery charger is not supplied with the machine, it must be specifically ordered referring to the following codes:

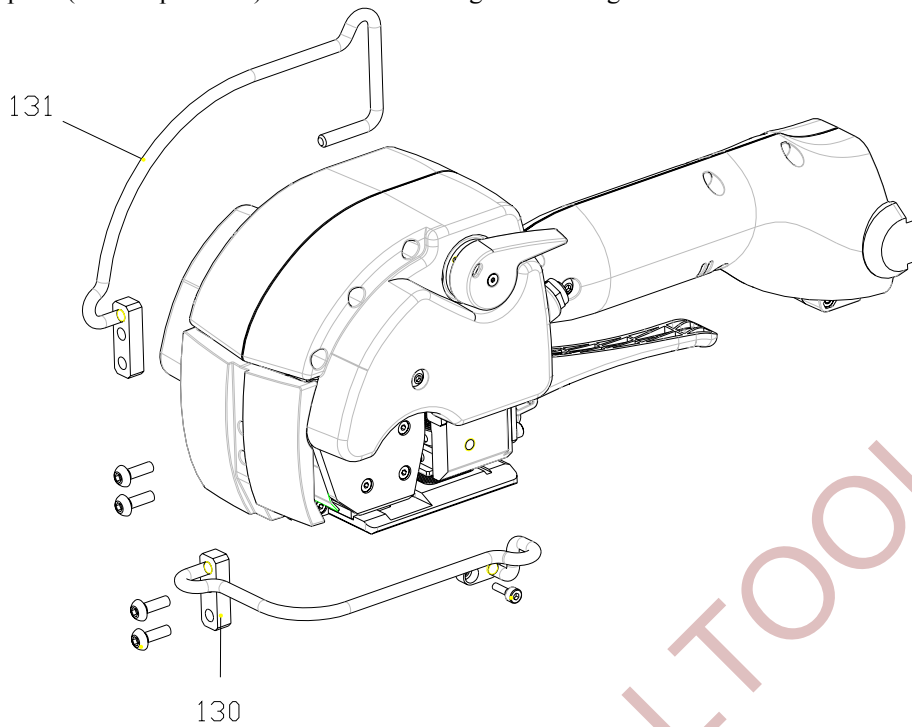
Normal battery charger code 521002610

Fast battery charger code 521002650

For information regarding the characteristics, the operating procedures and maintenance, please refer to the instructions attached to the product by the manufacturer.

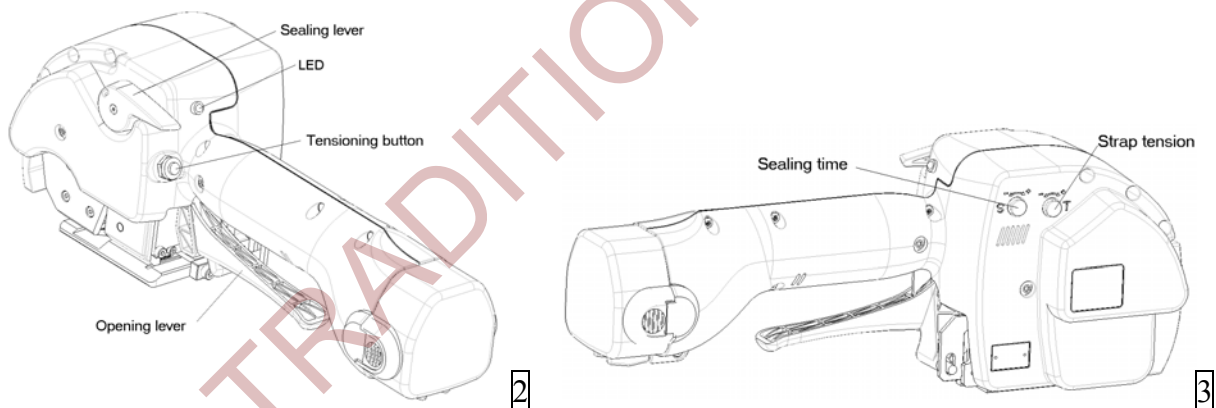
BALANCER HOOK

An optional kit, code number 281.018.600 upper hook and code number 281.018.700 lateral hook, which includes all the necessary parts (refer to picture 1) is available to hang the machine to a balancer.



1

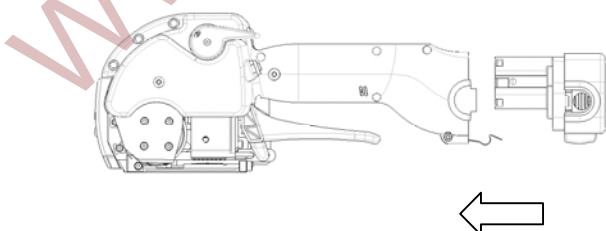
4. MACHINE COMPOSITION



5. MACHINE INSTALLATION

The battery is supplied discharged.

The battery must be positioned in its housing at the end of the handle until it fits perfectly in the blocks (picture 4).



4

When the green indicating lamp is on, the machine is ready to be used.

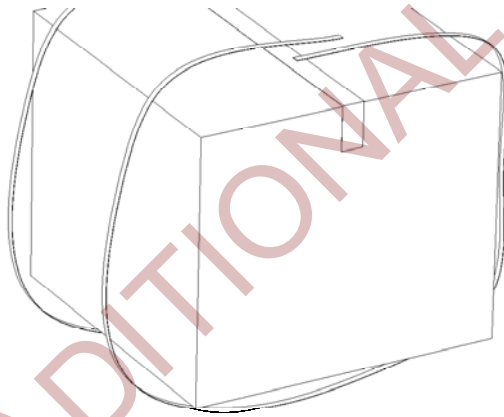


Only use straps which are in perfect conditions.

Indicating lamp	
Red	Battery down
Yellow	Strap cooling after welding.
Green	Machine ready to carry out strapping

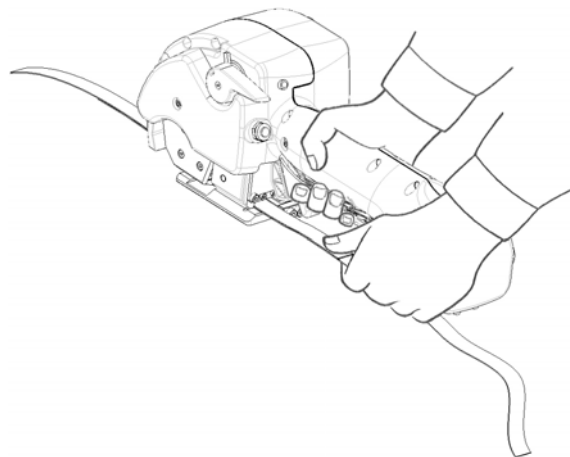
6. OPERATING INSTRUCTIONS

- Position the strap around the package (pict. 5).



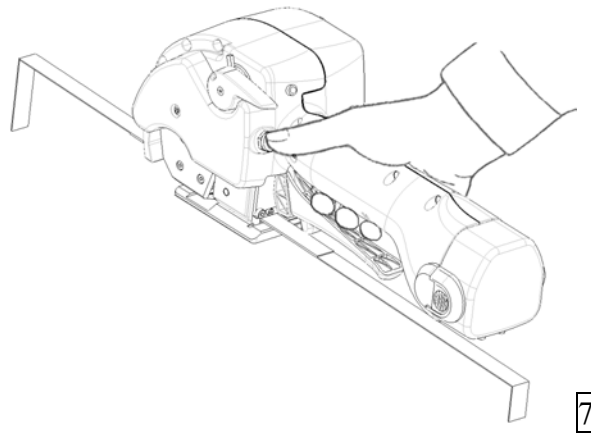
5

- Press the release lever with the right hand to open the machine and position with the left hand two straps together, perfectly aligned. Release the lever. The guides will keep the straps aligned (pict . 6).

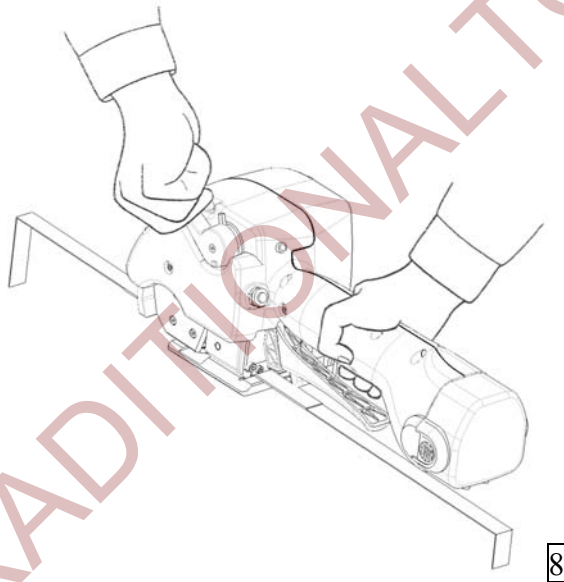


6

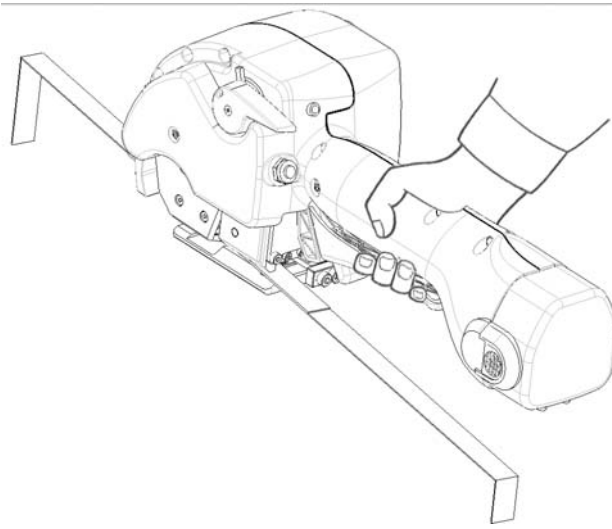
- Verify that the signaling lamp is green or off, and press the button to tension the strap. The tensioning is completed when the preset tension is reached. When the operation is finished release the button (pict. 7).



- Rotate the lever until it reaches the stop (pict. 8). The machine will carry out the welding, cutting and cooling cycle. When the **green** signaling lamp is on, take the lever to the initial position (pict. 9).
- The orange signaling lamp indicates the welding cooling time. (The welding lever has to be kept pressed forward, until the orange lamp is off and the green one is on)



- Press the release lever to open the machine and remove it from the strapping surface (pict. 9).

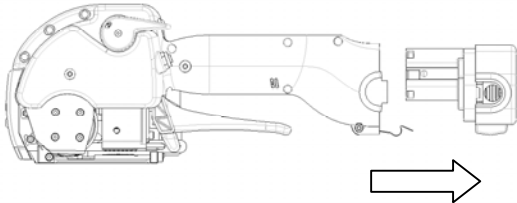




When the battery charge is not sufficient to correctly operate the machine, the red signaling lamp is on and every function is prevented.

To remove the battery, release the safety spring and press the release button; substitute the battery with a charged one.

Any sealing not completed as a result of insufficient battery charge, is to be considered not adequate and must be repeated.



10

7. CHECKING THE WELDING

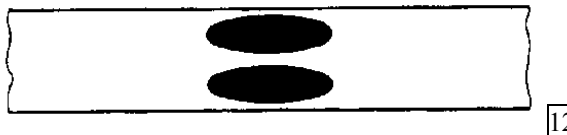
A visual inspection of the sealing area is sufficient to check the sealing quality.

- **Correct sealing:** the sealing must be welded for the entire width of the strap and for a length of approximately 25 mm. Small quantities of plastic material may escape from the welding area (pict. 11).



11

- **Short welding time:** the plastic straps are not welded for their entire width. The sealing is not sufficient and the sealing operation must be repeated increasing the welding time (pict. 12).



12

- **Long welding time:** the material is overheated and escapes from the sides of the welding area. The sealing is not sufficient and the sealing operation must be repeated reducing the welding time (pict. 13).



13

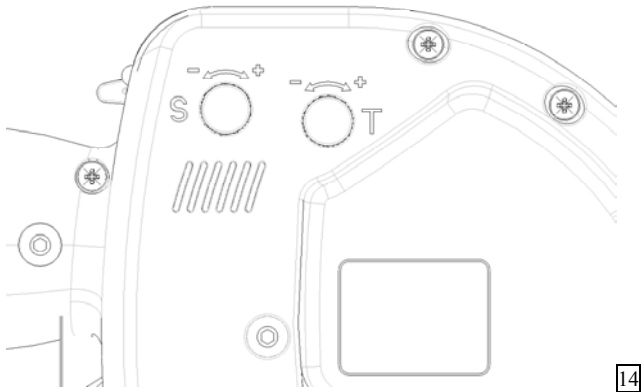
ADJUSTMENT OF TENSION

To increase the tension strength use the small handle marked with a **T** until it catches the potentiometer and rotate it clockwise.

To reduce the tension rotate it anticlockwise (pict. 14)

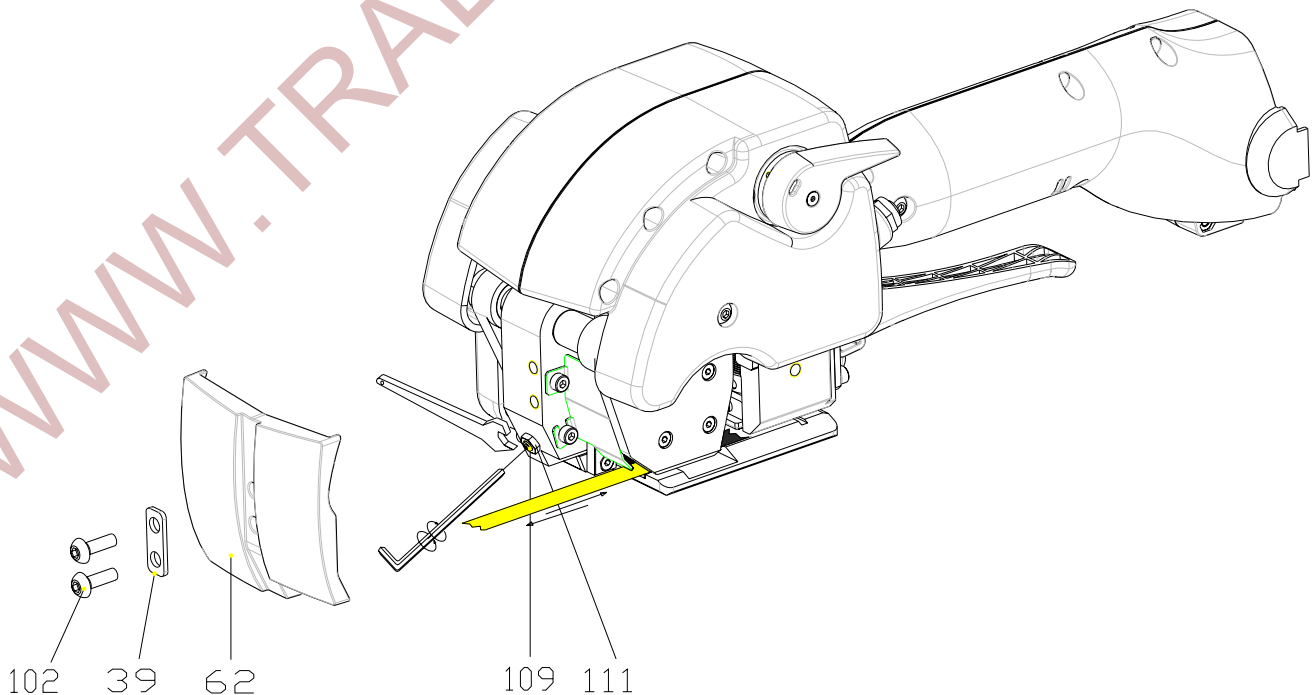
ADJUSTMENT OF WELDING TIME

To increase the welding time rotate the small handle marked with an **S** clockwise. To reduce the welding time rotate it anticlockwise (pict. 14).



ADJUSTMENT FEED-WHEEL HEIGHT

- 1) Take out the screw pos. 102, the plate pos. 39 and the protection pos. 62
- 2) Release the nut pos. 111
- 3a) If you turn the screw without head pos. 109 anticlockwise, keeping the nut pos. 111 blocked, the feed-wheel will let down, so you will have a major pressure on the strap.
- 3b) If you turn the screw without head pos. 109 clockwise, keeping the nut pos. 111 blocked, the feed-wheel will lift up, so you will reduce pressure on the strap.
- 4) When you will have reached the satisfactory height, you have to squeeze the nut pos. 111, keeping blocked the screw without head pos. 1109.
- 5) Re-assembly the parts 62-39-102



8. MAINTENANCE AND REPAIR



Maintenance and repairs must be carried out only by trained personnel. If necessary send the strapping tool, using original packaging, to the nearest service center.

CLEANING



NOTE: all cleaning operations must be carried out with the battery disconnected from the machine.

Use compressed air to eliminate possible residuals of strap from the roller and from the welding group. It is not necessary to open the machine.

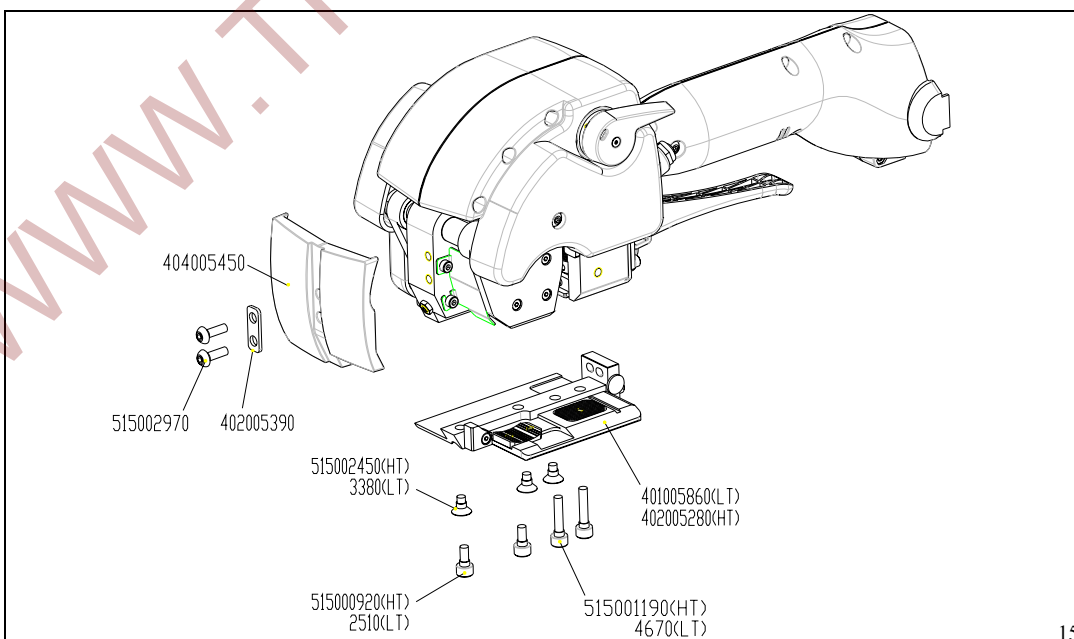
SUBSTITUTION OF WORN PARTS



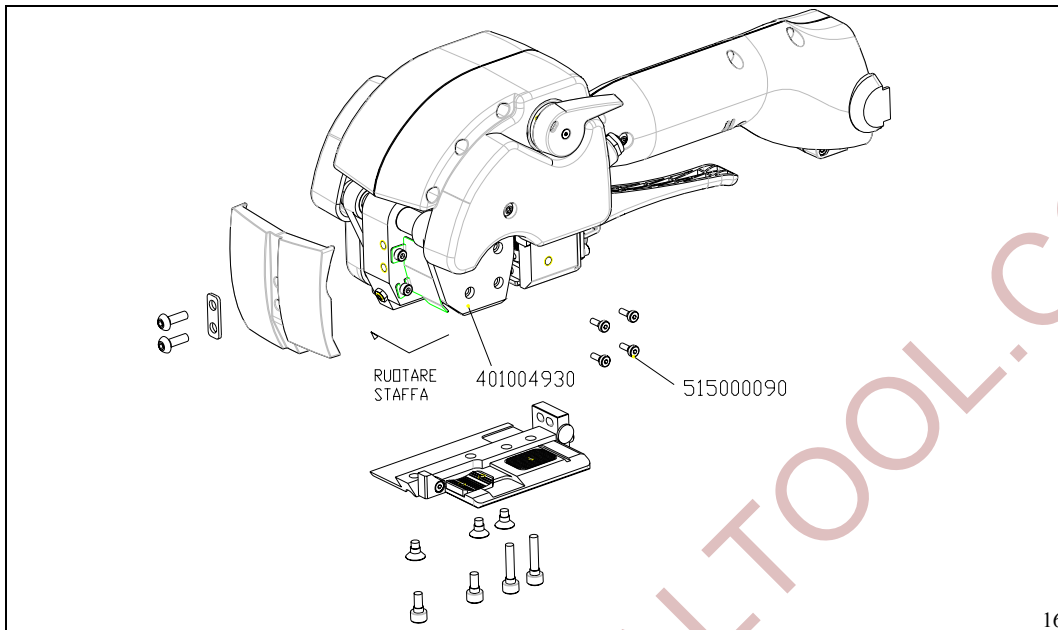
NOTE: all substitutions must be carried out with the battery disconnected from the machine

Tensioning roller

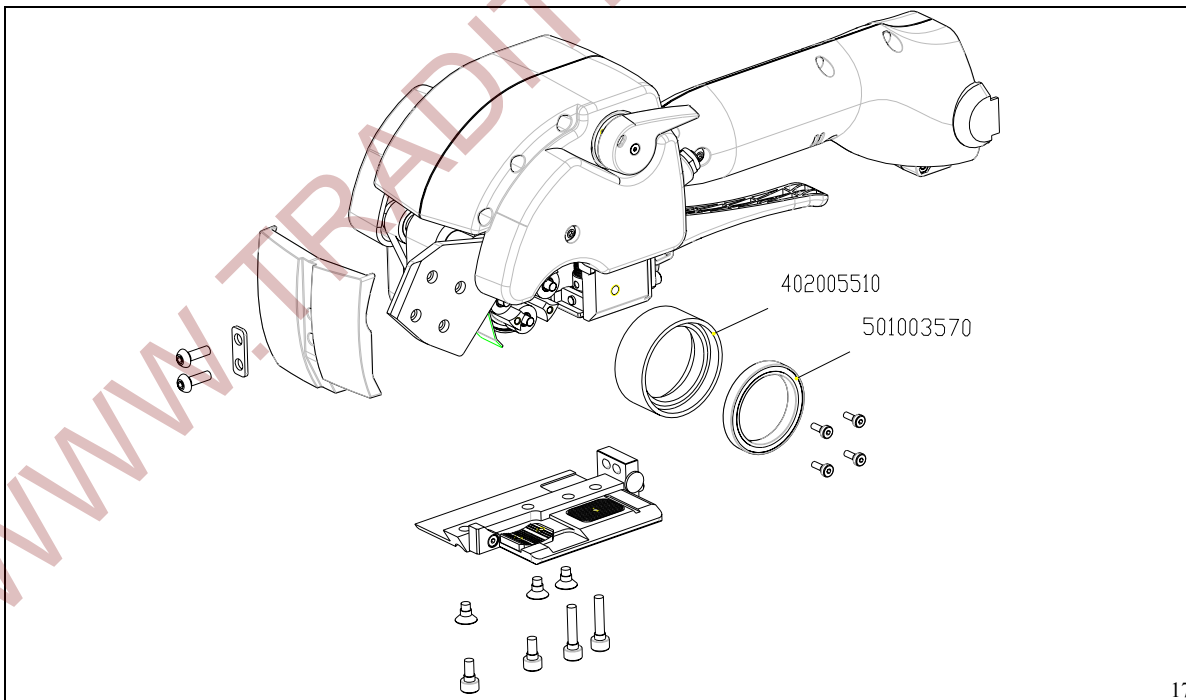
- Unfasten the screws from the foot of the machine and remove the foot (401005860LT-402005280HT)
- Unfasten the screws from the bumper and remove the plate 402005390 and the bumper 404005450.



- Unfasten the 4 screws and rotate the bracket (401004930) clockwise until the frontal section of the roller is completely free.



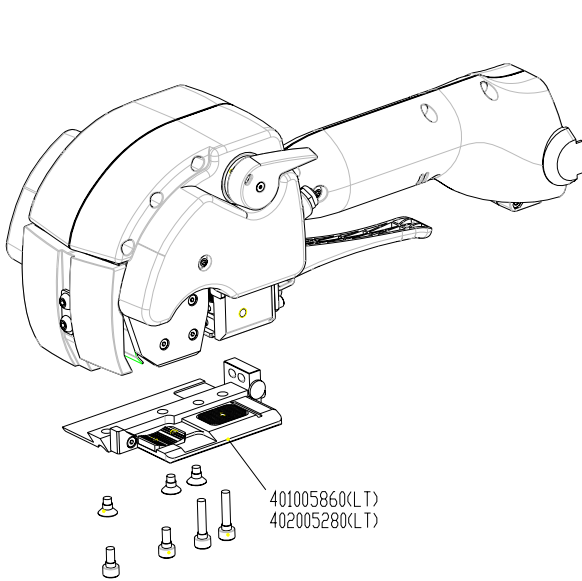
- Remove bearing 501003570 and roller 402005510. It is necessary to grease the geared part before substituting the roller.



To reassemble the machine repeat the operations described in reverse order.

Substitution of cutting blade

- Unfasten screws, and remove the foot of the machine.
- Rotate the welding lever to lower the vibrating sliding block and the blade.



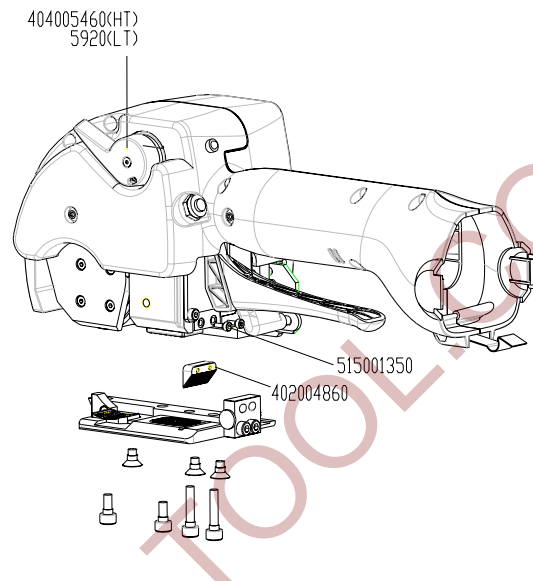
18

- Unfasten screws 515001350 and substitute blade 40200860 with a new one.

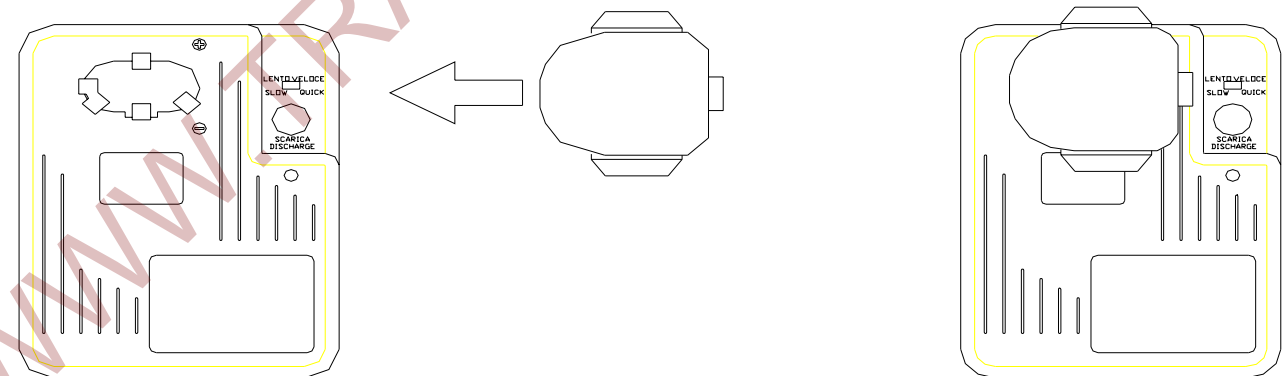
To reassemble the machine repeat the operations described in reverse order.

TO CHARGE THE BATTERY

To charge the battery, you must pay attention to insert it in the right position in the battery charger housing. You have to check the polarity inserting the battery in the right way.



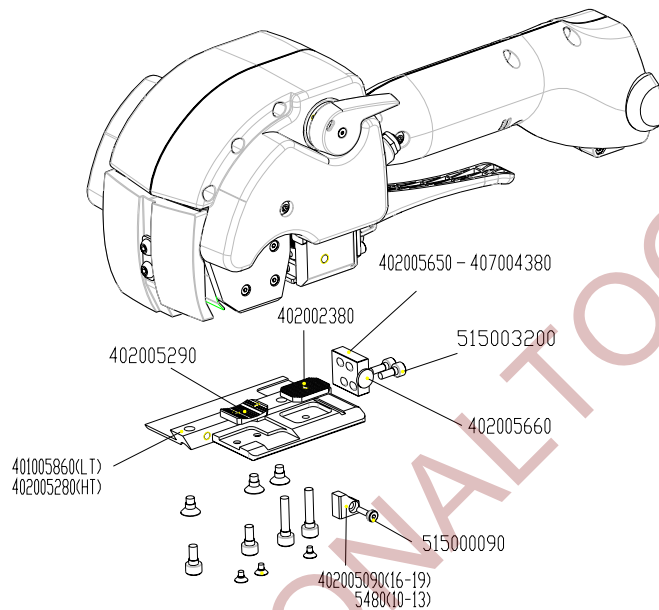
19



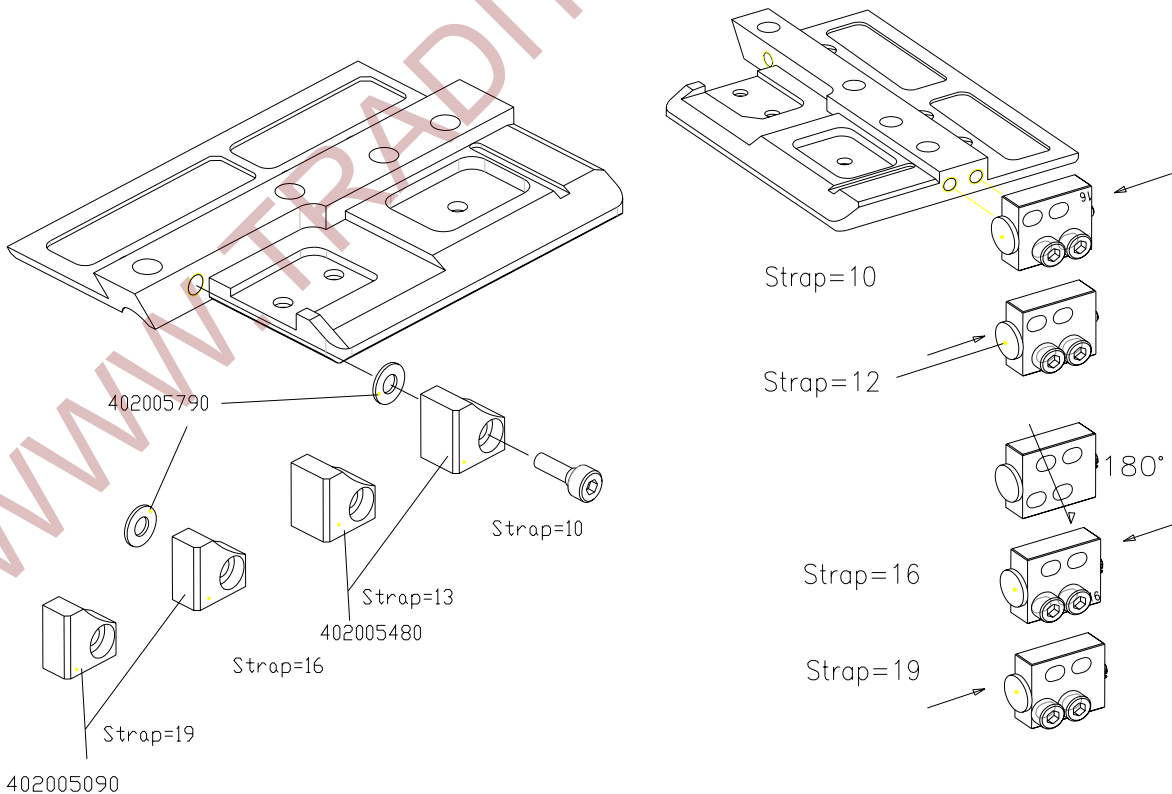
ATTENTION: Don't invert the polarity (inserting the battery in the wrong way you must apply a certain force, pay attention and don't do it).

Substitution of small plates and strap guide blocks

- Remove the foot from the machine body as previously described in the “Substitution of cutting blade” section.
 - To substitute the roller small plate, unfasten the two screws and fit in a new plate (402005290).
 - To substitute the vibrating sliding block small plate, unfasten screw and fit in a new plate (402002380).
 - To substitute the front strap guide unfasten screw and fit in a new strap guide (402005090; 40205480).
 - For size 10/16 add the washer.
 - To fit the back guide-strap, unscrew the screws and rotate or move the guide-strap 180° (402005650).
- See pict. 21



20

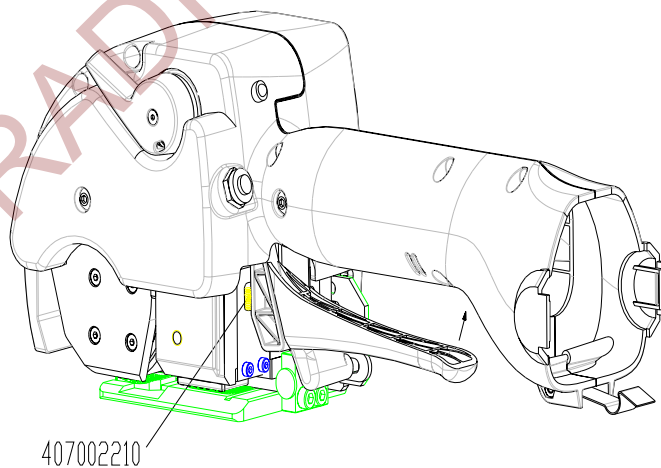
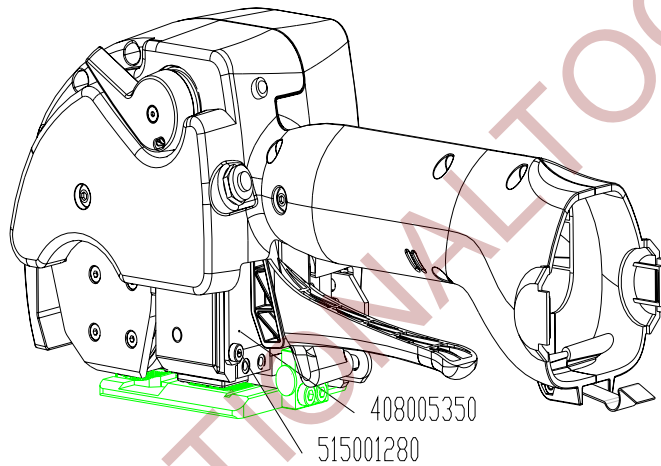


21

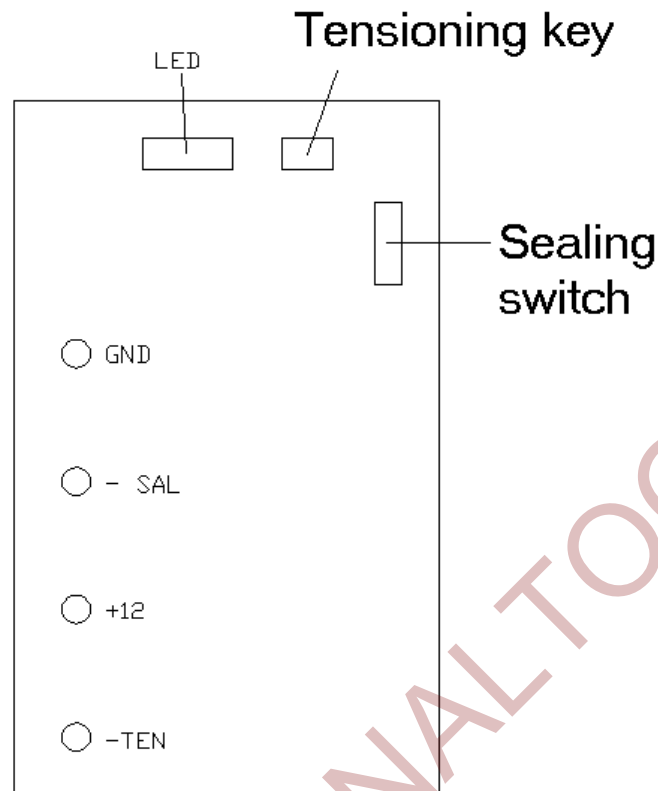
REPLACEMENT CUTTER SPRING

- 1) Unscrew the screw and take out the plate 408005350 to access to the spring placed in the cutter rack.
- 2) Move up the opening lever in the opening position.
- 3) With a nipper, take out the spring 407002210 and change it with a new one (please grease the new spring).
- 4) Replace in their position the plate 408005350 and the screws 515001280.

- The spring code. 407002210 is standard
- The spring code. 407004380 (soft) is indicate for Polypropene strap or for PET strap thickness 0.5 mm.



CONTROL CARD



22

9. GUARANTEE

Every machine supplied by our company is guaranteed for a period of 12 months starting from the date of dispatch stated on the accompanying note.

During the whole guarantee period, our company will replace free of charge, all the parts proved to be defective by reason of faulty workmanship or materials, and which may compromise the normal machine usage. The decision of our service technicians on all the matters relating to complaints shall be final. Any control of defects and their origin will be carried out in our workshop at the following address:

Via della Repubblica, 44 – 20020 SOLARO (Mi) Italia

Parts to be repaired or replaced have to be forwarded to our address at the care, charge and risk of the customer; the return forwarding will take place at the same conditions. We suggest to use the original packaging for dispatch.

The guarantee does not cover the equipment whenever our technicians should find that the defects are due to lack of maintenance and/or misuse non in compliance with our instructions.

Our guarantee shall not apply to all parts subject to normal usage wear (refer to basic list).

NOTE: Columbia will not undertake any intervention on machines whose serial number, engraved during manufacture and quoted on the sales document provided, has been intentionally modified or removed.

**CE DI DICHIARAZIONE CONFORMITA'
CE CONFORMITY CERTIFICATE
CERTIFICATION DE CONFORMITÈ**

LA DITTA
THE COMPANY
LA SOCIÉTÈ

COLUMBIA srl

AI SENSI DELLE DIRETTIVE **CEE 98/37** e **CEE 89/336**, dichiara sotto la propria responsabilita' che la macchina:
ACCORDING TO DIRECTIVES **CEE 98/37** and **CEE 89/336**, declares under its responsibility that appliance :
AUX TERMES DE LES DIRECTIVES **CEE 98/37** et **CEE 89/336**, déclare, sous sa propre responsabilité, que la:

**REGGIATRICE ELETTRICA A BATTERIA
BATTERY STRAPPING TOOL
OUTIL A BATERIE**

MODELLO - MODEL - MODELE:.....

NUMERO MATRICOLA - SERIAL NUMBER - NO. DE SERIE:

ANNO DI COSTRUZIONE - YEAR OF PRODUCTION - ANNEE DE CONSTRUCTION:.....

e' conforme ai requisiti essenziali di sicurezza e di tutela della salute richiesti dalle direttive **CEE 98/37** e **CEE 89/336** e loro successive modificazioni, nonche' ai requisiti di cui alle seguenti direttive:
conforms to the essential safety requirements and accident prevention, as requested by **CEE 98/37** and **CEE 89/336** Directives and further modifications, as well as to standards given by the following directives :
est conforme aux dispositions essentielles de sécurité et de prévention des accidents prévues par les directives **CEE 98/37** et **CEE 89/336** et successives modifications, autant que aux conditions dont les directives suivantes:

EN 292-1, EN 292-2, EN 349, EN 1050, EN 50081-2, EN 50082-2, EN 55022, EN 50081-1

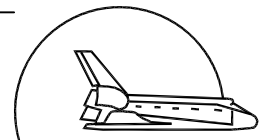
COLUMBIA SRL

VIA DELLA REPUBBLICA, 44
20020 SOLARO – MI - ITALY
TEL. +39. 02.96790381
FAX +39. 02.96790397
E-MAIL columbit@tin.it
WEB-SITE www.columbiatools.it

SOLARO:.....

L'AMMINISTRATORE :
THE MANAGING DIRECTOR :
L'ADMINISTRATEUR :

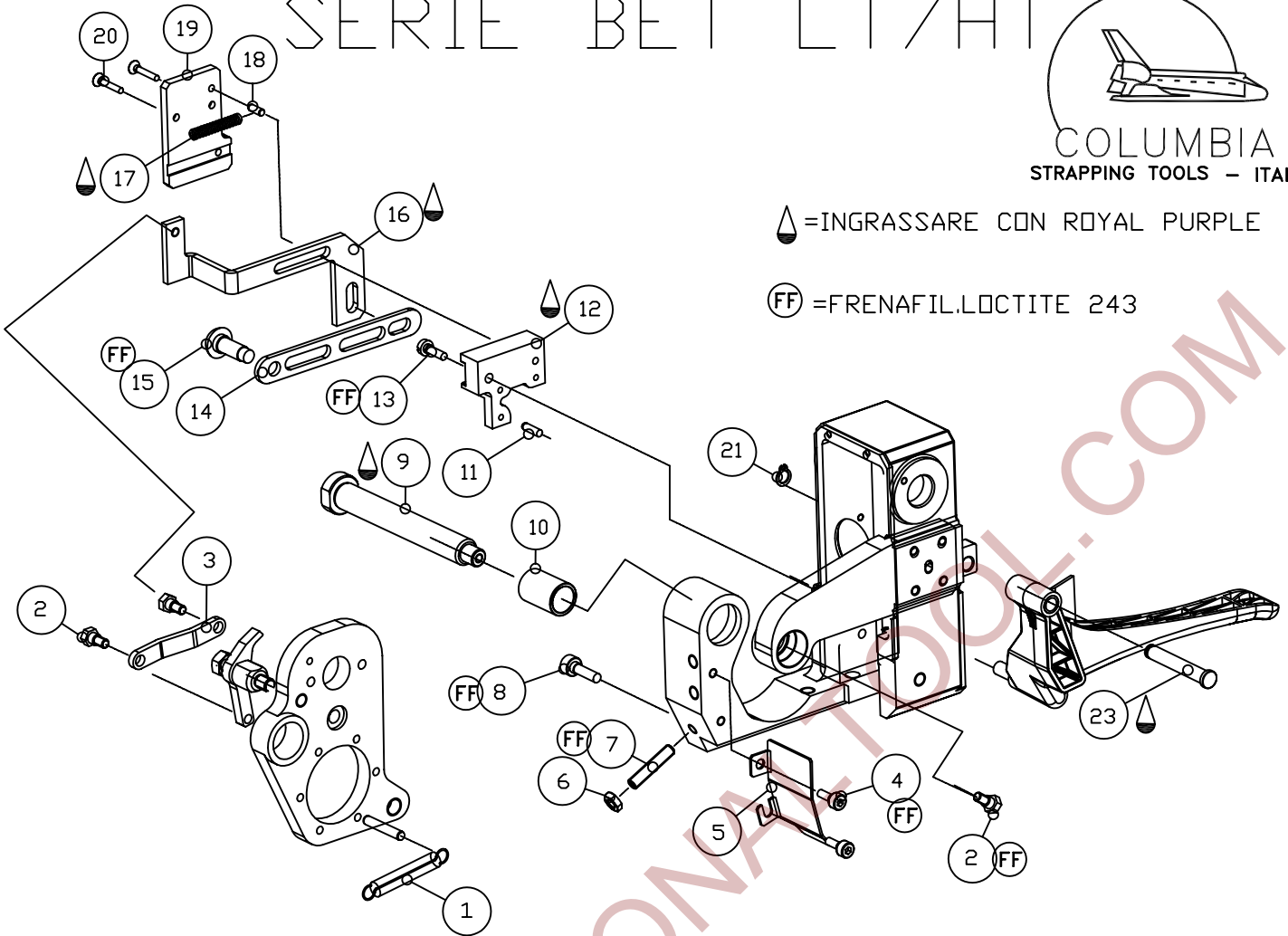
SERIE BET LT/HT



COLUMBIA
STRAPPING TOOLS - ITALY

▲ = INGRASSARE CON ROYAL PURPLE

⊙ FF = FRENAFIL.LOCTITE 243



RIF.	Q.TA	NUOVO COD.	DESCRIZIONE
15	1	402004710	PERNO
23	1	402004990	PERNO LEVA
9	1	402005230	PERNO FISSAGGIO GRUPPO RULLO/RIDUTTORE
10	1	402005270	DISTANZIALE
16	1	402005840	BIELLA DI SBLOCCO
3	1	402005360	TIRANTE
2	3	402006150	PERNO
12	1	404004720	GUIDA PER LEVA DI COMANDO
19	1	404004730	COPERCHIO PER GUIDA
17	1	407001330	MOLLA
1	1	407005120	MOLLA PRECARICO GR. RULLO
14	1	408005190	TIRANTE
5	1	408005340	PROTEZIONE RULLO
21	1	503002800	ANELLO ELASTICO PER ALBERO D6 UNI 7435
13	1	515000090	VITE TCEI M4X10 UNI5931
4	2	515001280	VITE TCEI M4X6
7	1	515004660	VITE STEI ESTR.PIANA UNI5923 M5X35
8	1	515003200	VITE TCEI M5X16
20	2	515003360	VITE AUTOF. TCB-TC 3.9X13
6	1	516002250	DADO M5
11	1	517000750	SPINA ELASTICA 3X10
18	1	517000620	SPINA ISO2338B D3X10

GRUPPO COMPLET.RIDUTT.+APERTURA

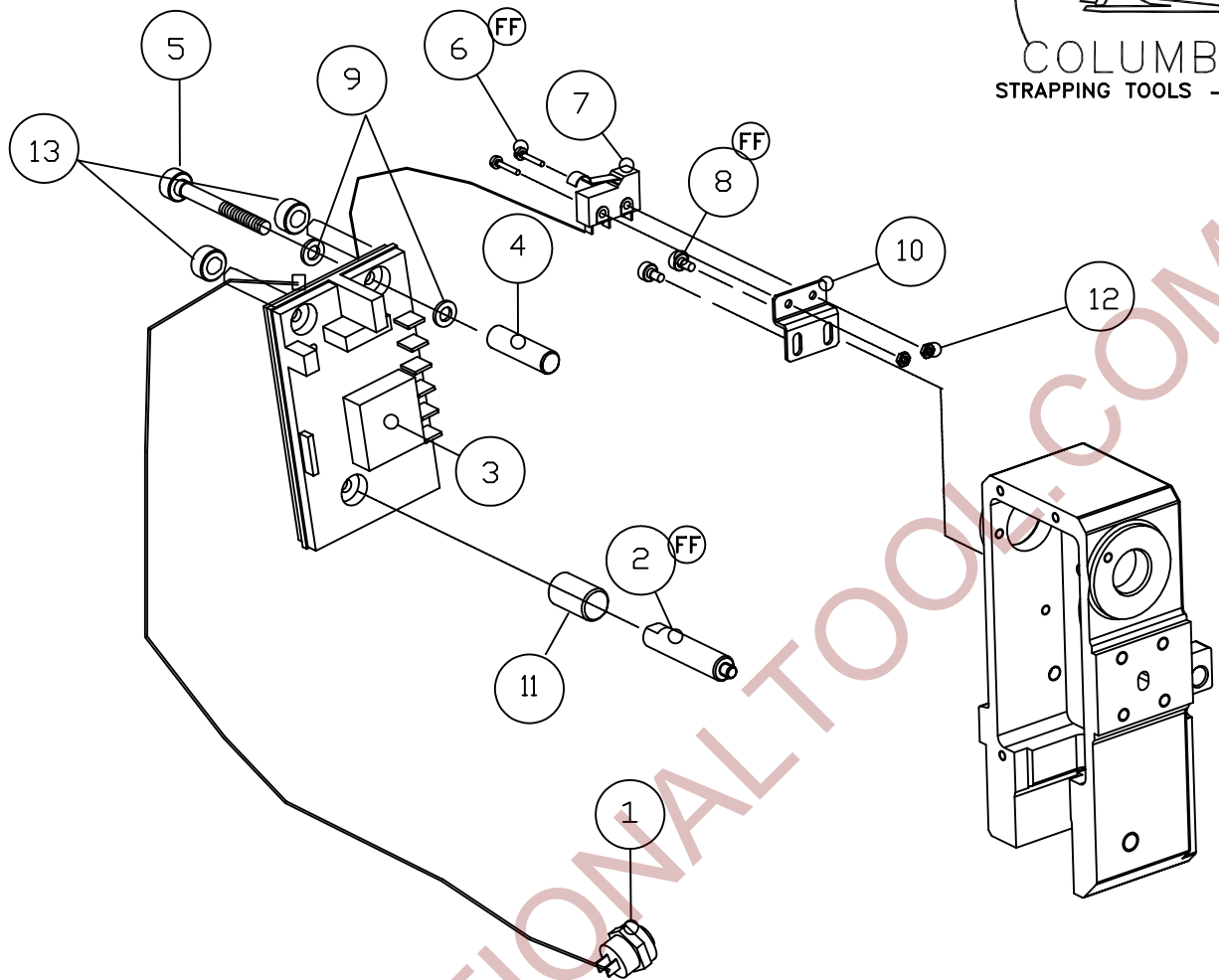
26/09/03

L.COLOMBO

CODICE

NR. 211212800

SERIE BET HT- LT



(FF) =FRENAFIL.LOCTITE 243

RIF.	Q.TA	NUOVO COD.	DESCRIZIONE
10	1	402005180	STAFFA PER SWITCH SALDATURA
2	1	402005400	DISTANZIALE SCHEDA
4	1	403005800	DISTANZIATORE
13	2	404004960	ROTELLA REGOLAZIONE
11	1	404005890	ISOLATORE SCHEDA
6	2	515002860	VITE TCI UNI 6107 M 2X10
8	2	515003070	VITE TCEI UNI5931 M3X4
5	1	515004610	VITE TCEI UNI5931 M3X30
12	2	516002840	DADO ESAG.SOTTILE UNI 5590 M2
7	1	521002920	MICRO CON CAVO E CONNETT.
1	1	521003290	PULSANTE CON CAVO E CONN.
3	1	521003320	SCHEDA ELETTR. CON CAVI ALIM.
9	2	521004620	ISOLATORE SCHEDA

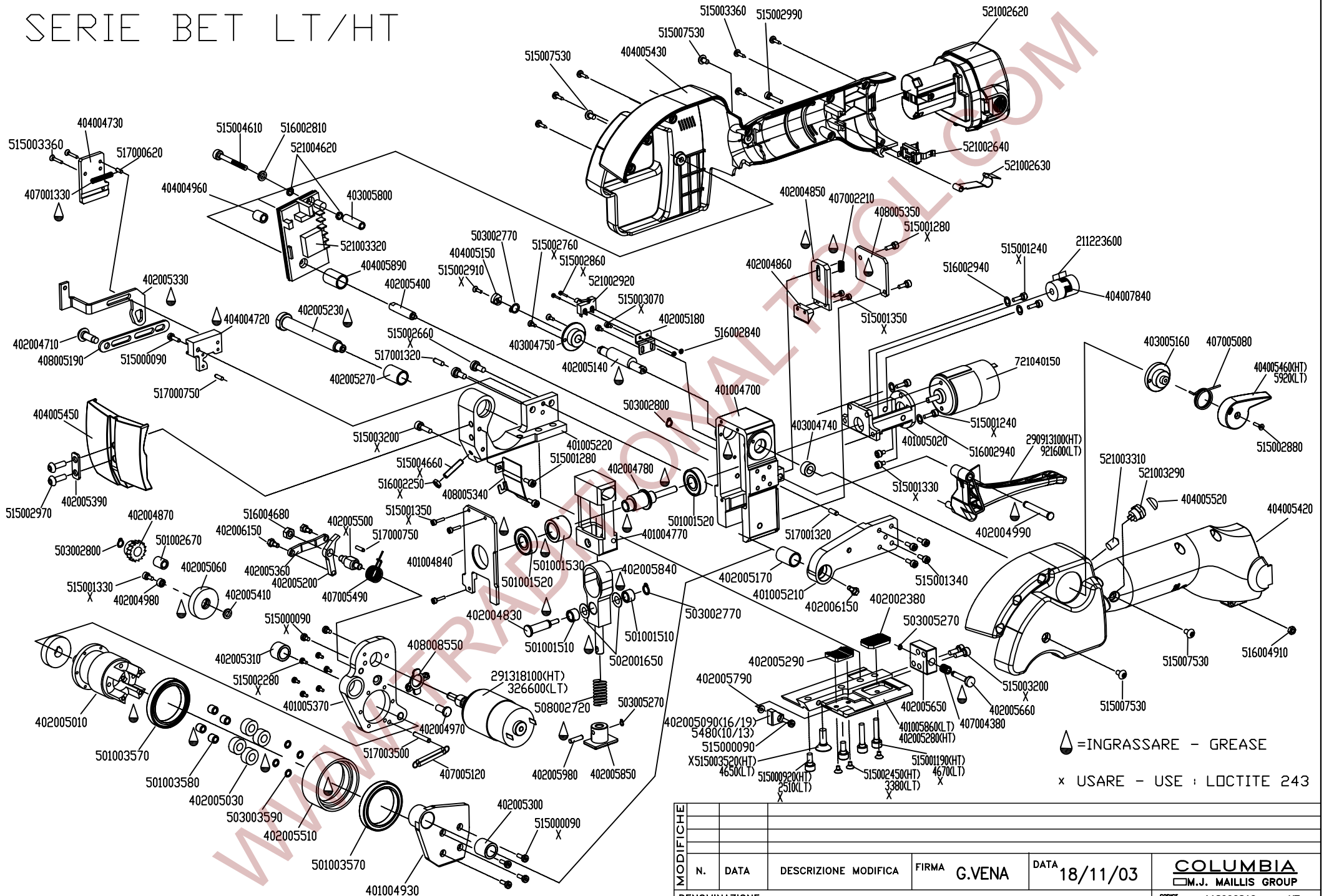
GRUPPO COMP.ELETTR.

26/09/03

L.COLOMBO

CODICE
NR. 231212900

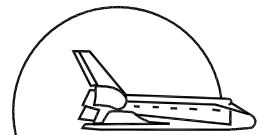
SERIE BET LT/HT



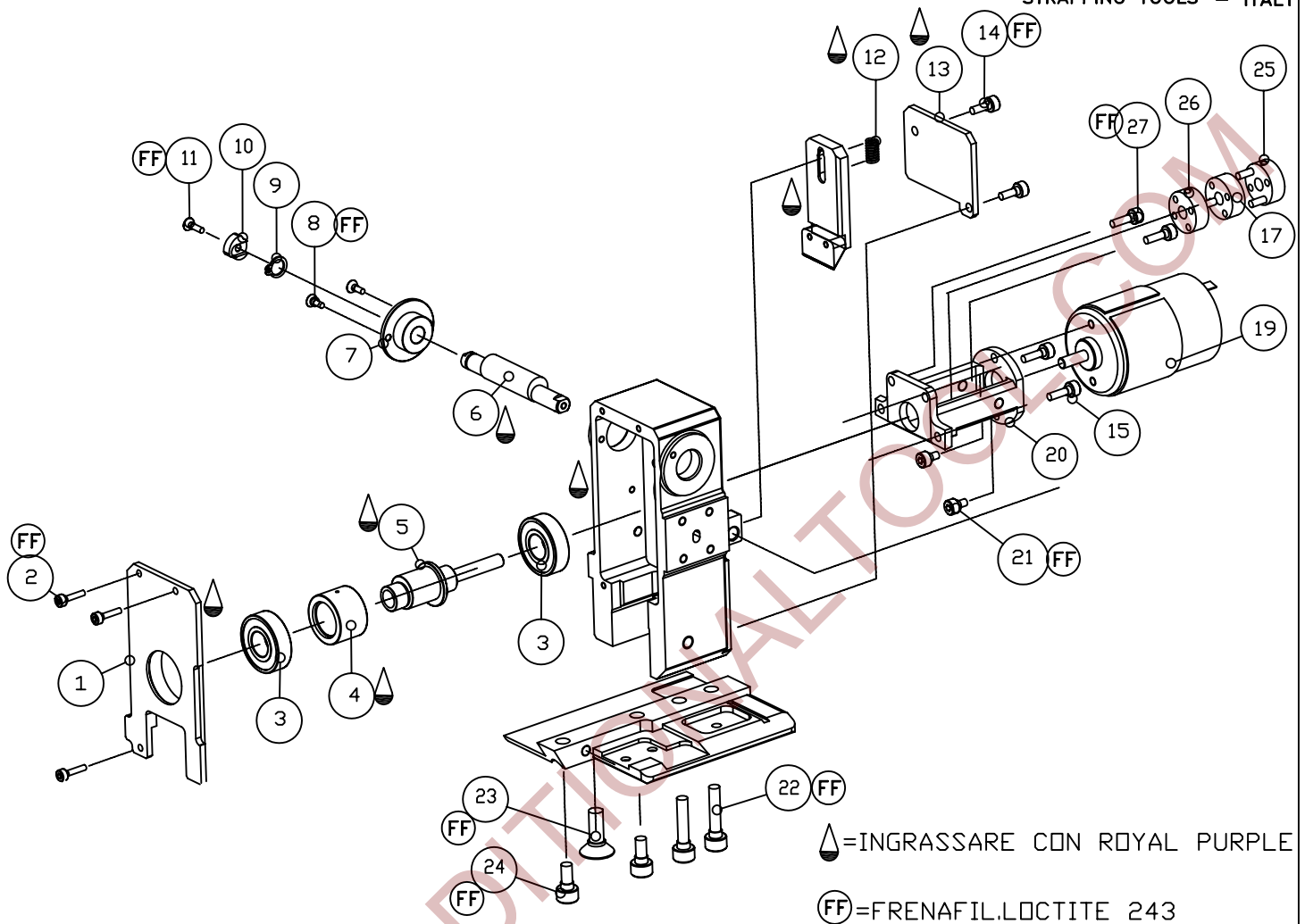
=INGRASSARE - GREASE
 x USARE - USE : LOCTITE 243

MODIFICHE								
N.	DATA	DESCRIZIONE MODIFICA	FIRMA	DATA	18/11/03	COLUMBIA		
			G.VENA			M.J. MAILLIS GROUP		
DENOMINAZIONE							DISTINTA RICAMBI / SPARE PARTS LIST / ST-BET LT/HT	
CODICE NR.							118990810 - HT 119990810 - LT	

SERIE BET LT



COLUMBIA
STRAPPING TOOLS - ITALY



△=INGRASSARE CON ROYAL PURPLE

FF=FRENAFIL. LOCTITE 243

RIF.	Q.TA	NUOVO COD.	DESCRIZIONE
25	1	211222800	ASS.SEMIGIUNTO MOTORE
26	1	211222900	ASS.SEMIGIUNTO ECCENTRICO
1	1	401004840	COPERCHIO PER TELAIO
20	1	401005020	SUPPORTO MOTORE
5	1	402004780	ALBERO ECCENTRICO
6	1	402005140	ECCENTRICO AZIONAMENTO SALDATURA
7	1	403004750	BOCCOLA PER LEVA DI SALDATURA
10	1	404005150	CAMMA PER SWITCH
17	1	404007840	GOMMINO
12	1	407002210	MOLLA CESOIA
13	1	408005350	COPERCHIO CESOIA
3	2	501001520	CUSCINETTO 6001-2Z
4	1	501001530	CUSC.RULLINI NK 16/16
9	1	503002770	ANELLO ELAST.X ALBERO UNI 7435 D=8
15	2	515001240	VITE TCEI M 4X16
14	2	515001280	VITE TCEI M 4X6
21	2	515001330	VITE TCEI M 4X8
2	3	515001350	VITE TCEI UNI 5931 M 3X8
24	2	515002510	VITE TCEI M 6X14
8	2	515002760	VITE TSPEI UNI 5933 M 3X8
11	1	515002910	VITE TSPEI UNI 5933 M 3X10
23	3	515004650	VITE TSPEI M 6X14
22	2	515004670	VITE TCEI M 6X25
19	1	721040160	MOTORE ELETTRICO
27	2	515000090	VITE TCEI M 4X10

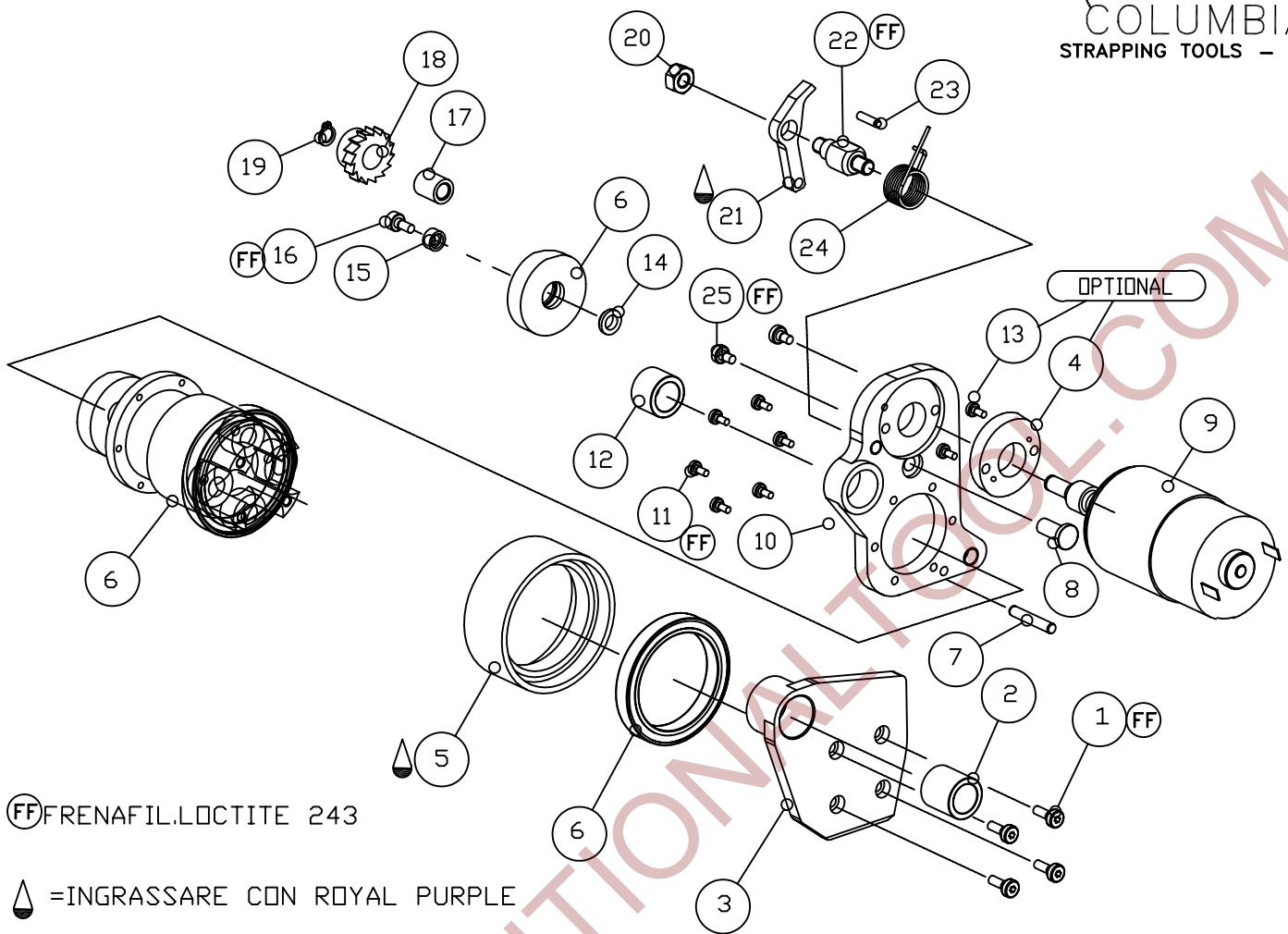
GRUPPO FINITURA TELAIO LT

25-09-2003

L.COLOMBO

CODICE
NR. 21122200

SERIE BET LT



FF FRENAFIL.LOCTITE 243

△ =INGRASSARE CON ROYAL PURPLE

RIF.	Q.TA	NUOVO COD.	DESCRIZIONE
6	1	210112701	RIDUTTORE EPICICLOIDALE
9	1	291321900	ASSEMBLATO MOTORE TENSIONE LT
3	1	401004930	STAFFA RULLO
10	1	401005830	STAFFA MOTORE TENSIONAMENTO LT
18	1	402004870	RUOTA PER ARPIONISMO
8	1	402004970	PERNO RUOTA FOLLE
15	1	402004980	COPERCHIO PER PERNO RUOTA FOLLE
21	1	402005200	ARPIONE
2	1	402005300	BOCCOLA SUPPORTO RIDUTTORE SX
12	1	402005310	BOCCOLA SUPPORTO RIDUTTORE DX
14	1	402005410	DISTANZIALE LATO PERNO
22	1	402005500	PERNO PER ARPIONE
5	1	402005510	RULLO TRASCINAMENTO
24	1	407005490	MOLLA PER ARPIONE
17	1	501002670	RUOTA UNIDIREZIONALE HF0612KF
19	1	503002800	ANELLO ELASTICO PER ALBERO D6 UNI 7435
1	4	515000090	VITE TCEI M4X10
16	1	515001330	VITE TCEI UNI5931 M4X8
25	2	515002740	VITE TCEI M3X6
11	6	515002280	VITE TCEI M3X10
20	1	516004680	DADO AUTOBLOCCANTE M6
23	1	517000750	SPINA ELASTICA 3X10
7	1	517003500	SPINA TEMP. 4X24
4	1	402008480	FLANGIA ADATTAMENTO BET
13	2	402002740	VITE TSEI M4x10

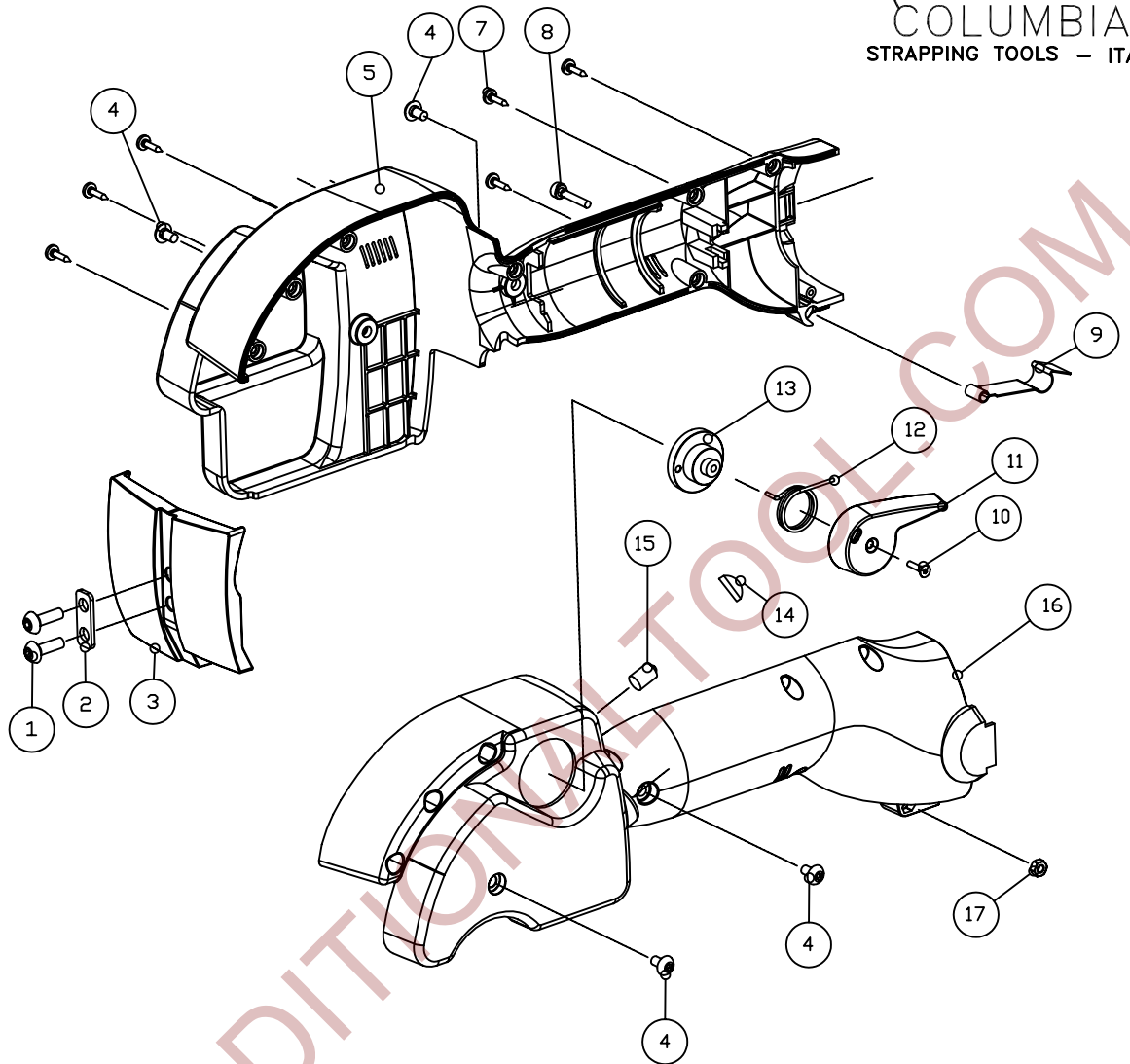
GRUPPO RULLO RIDUTTORE LT

26/09/03

L.COLOMBO

CODICE
NR. 210121800

SERIE BET LT



RIF.	Q.TA	NUOVO COD.	DESCRIZIONE
2	1	402005390	PIASTRINA FISSAGGIO PARAURTI
13	1	403005160	BUSSOLA PER LEVA SALDATURA
16	1	404005420	GUSCIO SINISTRO STAMPATO
5	1	404005430	GUSCIO DESTRO STAMPATO
3	1	404005450	PARAURTI IN GOMMA
11	1	404005920	LEVA AZIONAMENTO SALDATURA ROSSA
14	1	404005520	GOMMINO PROTEZIONE PULSANTE
12	1	407005080	MOLLA PER LEVA SALDATURA
4	4	515001290	VITE TBEI M5X10 ISO 7380
1	2	515002970	VITE TBEI M6X16 ISO 7380
7	6	515003360	VITE AUTOF.TCB-CR AB 3,9X13 UNI 6954
8	1	515002990	VITE TCEI UNI5931 M4X20
10	1	515001240	VITE TCEI M4X16
17	1	516002540	DADO M4
9	1	521002630	LINGUETTA PER BATTERIA
15	1	521003310	PORTA LED

ASSIEME COPERTURE LT

26/09/03

L.COLOMBO

CODICE
NR. 291221700

DISTINTA RICAMBI / SPARE PARTS LIST / SERIE ST BET LT -agg.11/03

NUOVO COD.	Q.TA	DESCRIZIONE	DESCRIPTION
211223600	1	ASSIEME GIUNTO MOTORE	ASSEMBLY JOINT MOTOR
290921600	1	ASSIEMATO LEVA APERTURA LT	ASSEMBLED OPENING LEVER LT
291326600	1	ASSIEMATO MOTORE TENSIONE 42 CORTO B	BET-LT KIT TENSION MOTOR
401004700	1	TELAIO	LOOM
401004770	1	GUIDA SUPPORTO GRUPPO SALDATURA	GUIDE SUPP.WELDING GROUP
401004840	1	COPERCHIO PER TELAIO	LOOM COVER
401004930	1	STAFFA RULLO	ROLLER CLAMP
401005020	1	SUPPORTO MOTORE	ENGINE SUPPORT
401005210	1	STAFFA	CLAMP
401005220	1	BASE TELAIO	SUB-FRAME
401005370	1	STAFFA MOTORE TENSIONAMENTO	TENS.CLAMP ENGINE BET HT
401005860	1	PIEDE LT	BET LT FOOT
⊕ 402002380	1	PIASTRINA DI BLOCCAGGIO	SEALING PLATE
402004710	1	PERNO	PIN
402004780	1	ALBERO ECCENTRICO	ECCENTRIC SHAFT
402004830	1	ALBERO SALDATURA	WELDING SHAFT
⊕ 402004860	1	CESOIA	CUTTER
402004870	1	RUOTA PER ARPIONISMO	BARRING GEAR WHEEL
402004970	1	PERNO RUOTA FOLLE	LOOSE WHEEL PIN
402004980	1	COPERCHIO PER PERNO RUOTA FOLLE	PIN COVER
402004990	1	PERNO LEVA DI SBLOCCO	LEVER PIN
402005010	1	RIDUTTORE EPICICLOIDALE	EPICYCLIC REDUCER
402005030	4	SATELLITE	SATELLITE
402005060	1	RUOTA FOLLE COMPLETA	COMPL.LOOSE WHEEL
402005090	1	GUIDA REGGIA ANT DX 16/19	HEAD GUIDE STRAP 16/19
402005140	1	ECCENTRICO AZIONAMENTO SALDATURA	WELDING ECCENTRIC OPERATED
402005170	1	BOCCOLA PER BASE TELAIO	BASE FRAME BUSH
402005180	1	STAFFA PER SWITCH SALDATURA	SWITCH
402005200	1	ARPIONE	PAWL
402005230	1	PERNO FISSAGGIO GRUPPO RULLO/RIDUTTORE	STEADY PIN
402005270	1	DISTANZIALE	SPACER GUIDE SOCKET
⊕ 402005290	1	PIASTRINA RULLO	FEEDWHEEL PLATE
402005300	1	BOCCOLA SUPPORTO RIDUTTORE SX	REDUCER SUPP.GUIDE SOCKET LH
402005310	1	BOCCOLA SUPPORTO RIDUTTORE DX	REDUCER SUPP.GUIDE SOCKET RH
402005330	1	BIELLA DI SBLOCCO	UNCLAMPING STIRRUP
402005360	1	TIRANTE	CRAMP ROD
402005390	1	PIASTRINA FISSAGGIO PARAURTI	PLATE FIXING BUMPER
402005400	1	DISTANZIALE SCHEDA	CARD SPACER
402005410	1	DISTANZIALE LATO PERNO	SIDE PIN SPACER
402005480	1	GUIDA REGGIA ANT DX 10/12	HEAD RH GUIDE STRAP 10/13
402005500	1	PERNO PER ARPIONE	CRAMP PIN
⊕ 402005510	1	RULLO TRASCINAMENTO	FEEDWHEEL BET
402005650	1	SUPPORTO PER GUIDAREGGIA POST	GUIDE STRAP SUPPORT
402005660	1	PERNO GUIDAREGGIA	GUIDE STRAP PIN
402005790	1	RONDELLA	WASHER
402005840	1	BIELLA VIBRANTE	MONOBLOC.CONNECTING ROD BET
⊕ 402005850	1	PIEDINO SALDATURA	WELD.MONOBLOC FOOT
402005980	1	PERNO	WELD.PIN FOOT M
402006150	3	PERNO	GUIDE SCREW
403004740	1	BOCC. PER LEVA DI SALD. LATO COM.	WELD.GUIDE SOCKET LEVER
403004750	1	BOCCOLA PER LEVA DI SALDATURA	GUIDE SOCKET LEVER
403005160	1	BUSSOLA PER LEVA SALDATURA	WELDING LEVER SOCKET
403005800	1	DISTANZIATORE	WELDING LEVER SOCKET
404004720	1	GUIDA PER LEVA DI COMANDO	LEVER GUIDE
404004730	1	COPERCHIO PER GUIDA	GUIDE COVER
404004960	1	ROTELLA REGOLAZIONE	CONTROL ROLLER

DISTINTA RICAMBI / SPARE PARTS LIST / SERIE ST BET LT -agg.11/03

NUOVO COD.	Q.TA	DESCRIZIONE	
404005150	1	CAMMA PER SWITCH	SWITCH CAM
404005420	1	GUSCIO SINISTRO STAMPATO	BET LEFT COVER
404005430	1	GUSCIO DESTRO STAMPATO	BET RIGHT COVER
404005450	1	PARAURTI IN GOMMA	RUBBER-FACED BUMPERS
404005520	1	GOMMINO PROTEZIONE PULSANTE	RUBBER PROTECTION
404005890	1	ISOLATORE SCHEDA	INSULATOR CARD
404005920	1	LEVA AZIONAMENTO SALDATURA ROSSA	RED SEALING LEVER
404007840	1	GOMMINO	RUBBER JOINT
407001330	1	MOLLA	VALVE SPRING
407002210	1	MOLLA CESOIA	COMPR.SPRING 1X6.3X15.5
407004380	1	MOLLA	COMPR.SPRING 0.7X6X18
407005080	1	MOLLA PER LEVA SALDATURA	LEVER SPRING
407005120	1	MOLLA PRECARICO GR. RULLO	LOAD SPRING
407005490	1	MOLLA PER ARPIONE	CRAMP SPRING
408005190	1	TIRANTE	TIE ROD OPENING
408005340	1	PROTEZIONE RULLO	FEEDWHEEL PROTECTION
408005350	1	COPERCHIO CESOIA	CUTTER COVER
408008550	1	RONDELLA DI SPESSORE MOTORE BET	WASHER ST-BET MOTOR
501001510	2	ASTUCCIO A RULLINI HK 0808	ROLLER BEARING HK0808
501001520	2	CUSCINETTO 6001-2Z	BEARING 6001 2Z
501001530	1	CUSC.RULLINI NK 16/16	ROLLER BEARING NK16/16R
501002670	1	RUOTA UNIDIREZIONALE HF0612KF	ONEWAY BEARING INA HF 0612KF
501003570	2	CUSC.RAD.SFERE 61808-RS1	BEARING 61808-RS1
501003580	4	GABBIA A RULLINI 5X8X8:SKF K TN	ROLLER-CAGE 5X8X8:SKF K TN
502001650	2	SEEGER PS 10X16X0,5	WASHER.PS10X16X0.5DIN988
503002770	2	ANELLO ELAST.X ALBERO UNI 7435 D=8	ELAST.RING D8 7435
503002800	2	ANELLO ELAST. PER ALB.O D6 UNI 7435	ELAST. RING A6 UNI 7435
503003590	4	ANELLO ELASTICO AUTOBLOCCANTE	ELAST. RING
503005270	2	SEEGER SW4	SEEGER SW 4
508002720	14	MOLLA TAZZA 15X8,2X0,7	CUP WASHER 15X8
515000090	8	VITE TCEI M4X10	SCREW TCEI M4X10 UNI5931
515001240	4	VITE TCEI M4X16	SCREW TCEI M4X16 UNI5931
515001280	4	VITE TCEI M4X6	SCREW TCEI M4X6 UNI5931
515001330	3	VITE TCEI M4X8	SCREW TCEI M4X8 UNI5931
515001340	4	VITE TCEI UNI5931 M4X12	SCREW TCEI M4X12 UNI5931
515001350	3	VITE TCEI UNI5931 M3X8	SCREW TCEI M3X8 UNI5931
515002280	6	VITE TCEI M3X10	SCREW TCEI M3X10 UNI 5931
515002510	2	VITE TCEI M6X14	SCREW TCEI M6X14 5931 12.9
515002660	2	VITE TCEI BASSA DIN 7984 M6X12	SCREW TCEI RIB.M6X12 D7984
515002760	2	VITE TSPEI UNI 5933 M3X8	SCREW TSPEI M3X8 UNI 5933
515002860	2	VITE TCI UNI 6107 M 2X10	SCREW TCI M2X10UNI6107
515002880	1	VITE TBEI M4x16	SCREW TBEI M4X16 ISO 7380
515002910	1	VITE TSPEI UNI 5933 M3X10	SCREW TSPEI M3X10 UNI 5933
515002970	2	VITE TBEI M6X16 ISO 7380	SCREW TBEI M6X16 ISO 7380
515002990	1	VITE TCEI UNI5931 M4X20	SCREW TCEI M4X20 UNI5931
515003070	2	VITE TCEI UNI5931 M3X4	SCREW TCEI M3X4 5931
515003200	3	VITE TCEI M5X16	SCREW TCEI M5X16 UNI 5931
515003360	8	VITE AUTOF. TCB-TC 3.9X13	SCREW TCBCR3.9X13 6954
515003380	3	VITE TSPEI DIN 7991 M4X8	SCREW TPSCE M4X8 UNI5933
515004610	1	VITE TCEI M3X30	SCREW TCEI M3X30 UNI 5931
515004650	3	VITE TSPEI M6X14	SCREW TSPCE M6X14 UNI 5933
515004660	1	VITE STEI ESTR.PIANA UNI5923 M5X35	SCREW STEI M5X35 UNI 5923
515004670	2	VITE TCEI M6X25	SCREW TCEI M6X25 UNI 5931
515007530	4	VITE TBCE M5X8 ISO 7380	SCREW TBCE M5X8 ISO 7380
516002250	1	DADO M5	NUT HEXAG.BASSO M5
516002810	1	ROSETTA 3,2x7 UNI6592 BRUNITA	LOCK WASHER 3,2x7 UNI6592
516002840	2	DADO ESAG.SOTTILE UNI 5590 M2	NUT HEXAG. M2 UNI5590

DISTINTA RICAMBI / SPARE PARTS LIST / SERIE ST BET LT -agg.11/03

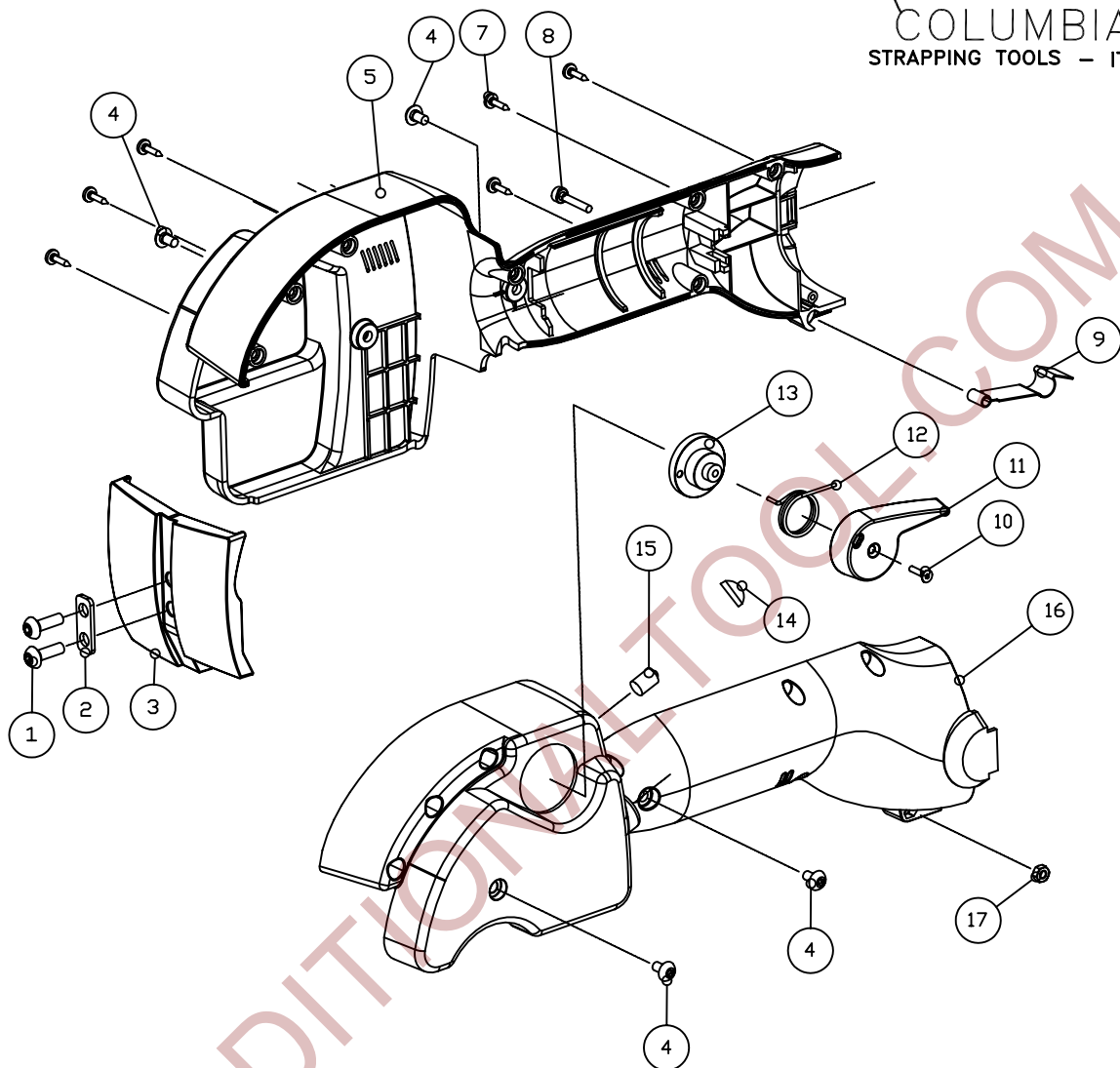
NUOVO COD.	Q.TA	DESCRIZIONE	
516002940	4	ROSETTA ELASTICA UNI1751 A4,3	ELAS.LOCK WASHERS A4.3UNI1751
516004680	1	DADO AUTOBLOCCANTE M6	SELF-LOCKING NUT M6 D985 5S
516004910	1	DADO M4 AUTOBL. BASSO D985 5S	SELF-LOCKING NUT M4 D985 5S
517000620	1	SPINA ISO2338B D3X10	CYL.PIN TMP 3X10 DIN6325
517000750	2	SPINA ELASTICA 3X10	ELAST.PIN 3X10 UNI6874
517001320	2	SPINA CIL. 4X12	CYL.PIN TMP 4X12 DIN6325
517003500	1	SPINA TEMP. 4X24	CYL. PIN. TMP 4X2
521002620	1	BATTERIA 12V/2,6A	BATT.12V/2.6AH NI-MH 1234
521002630	1	LINGUETTA PER BATTERIA	BATTERY TONGUE 343579-1
521002640	1	CONTATTO BATTERIA	BATTERY CONT. 643918-8
521002920	1	MICRO CON CAVO E CONNETT.	INTER.MASUSHITA AVL32453
521003290	1	PULSANTE CON CAVO E CONN.	BUTTON
521003310	1	PORTA LED	LED RING RTF5010
521003320	1	SCHEDA ELETTR. CON CAVI ALIM.	ELETTRONIC CIRCUIT
521004620	2	ISOLATORE TO 220	INSULATOR TO 220
721040150	1	MOTORE ELETTRICO	ELECTRIC MOTOR

⊕	PARTE SOGGETTA AD USURA / WEARING PARTS
---	--

SERIE BET HT



COLUMBIA
STRAPPING TOOLS - ITALY



RIF.	Q.TA	NUOVO COD.	DESCRIZIONE
2	1	402005390	PIASTRINA FISSAGGIO PARAURTI
13	1	403005160	BUSSOLA PER LEVA SALDATURA
16	1	404005420	GUSCIO SINISTRO STAMPATO
5	1	404005430	GUSCIO DESTRO STAMPATO
3	1	404005450	PARAURTI IN GOMMA
11	1	404005460	LEVA AZIONAMENTO SALDATURA NERA
14	1	404005520	GOMMINO PROTEZIONE PULSANTE
12	1	407005080	MOLLA PER LEVA SALDATURA
4	4	515007530	VITE TBCE M5X8 ISO 7380
1	2	515002970	VITE TBEI M6X16 ISO 7380
7	6	515003360	VITE AUTOF.TCB-CR AB 3,9X13 UNI 6954
8	1	515002990	VITE TCEI UNI5931 M4X20
10	1	515001240	VITE TCEI M4X16
17	1	516002540	DADO M4
9	1	521002630	LINGUETTA PER BATTERIA
15	1	521003310	PORTA LED

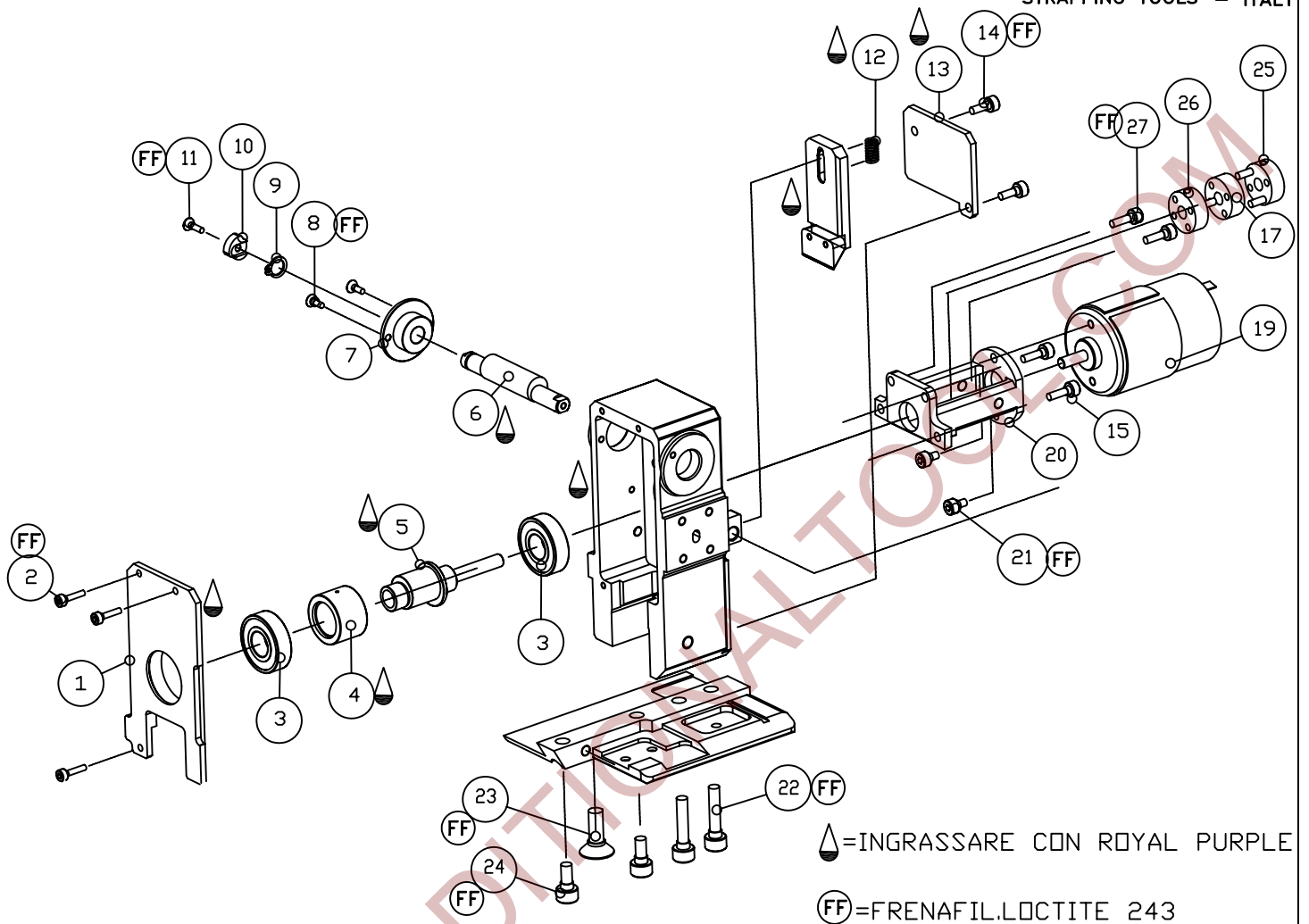
ASSIEME COPERTURE HT

26/09/03

L.COLOMBO

CODICE
NR. 291213700

SERIE BET HT



RIF.	Q.TA	NUOVO COD.	DESCRIZIONE
25	1	211222800	ASS.SEMIGIUNTO MOTORE
26	1	211222900	ASS.SEMIGIUNTO ECCENTRICO
1	1	401004840	COPERCHIO PER TELAIO
20	1	401005020	SUPPORTO MOTORE
5	1	402004780	ALBERO ECCENTRICO
6	1	402005140	ECCENTRICO AZIONAMENTO SALDATURA
7	1	403004750	BOCCOLA PER LEVA DISALDATURA
10	1	404005150	CAMMA PER SWITCH
17	1	404007840	GOMMINO
12	1	407002210	MOLLA CESOIA
13	1	408005350	COPERCHIO CESOIA
3	2	501001520	CUSCINETTO 6001-2Z
4	1	501001530	CUSC.RULLINI NK 16/16
9	1	503002770	ANELLO ELAST.X ALBERO UNI7435 D=8
15	2	515001240	VITE TCEI M 4X16
14	2	515001280	VITE TCEI M 4X6
21	2	515001330	VITE TCEI M 4X8
2	3	515001350	VITE TCEI UNI5931 M 3X8
24	2	515002510	VITE TCEI M 6X14
8	2	515002760	VITE TSPEI UNI 5933 M 3X8
11	1	515002910	VITE TSPEI UNI 5933 M 3X10
23	3	515004650	VITE TSPEI M 6X14
22	2	515001190	VITE TCEI M 6X22
19	1	721040160	MOTORE ELETTRICO
27	2	515000090	VITE TCEI M 4X10

GRUPPO FINITURA TELAIO LT

25-09-2003

L.COLOMBO

CODICE
NR. 211213500

DISTINTA RICAMBI / SPARE PARTS LIST / SERIE ST BET HT -agg.11/03

NUOVO COD.	Q.TA	DESCRIZIONE	DESCRIPTION
211223600	1	ASSIEME GIUNTO MOTORE	ASSEMBLY JOINT MOTOR
290913100	1	ASSIEMATO LEVA APERTURA HT	ASSEMBLED OPENING LEVER HT
291318100	1	ASSIEMATO MOT. TENSIONE HT	BET-HT KIT TENSION MOTOR
401004700	1	TELAIO	LOOM
401004770	1	GUIDA SUPP. GR. SALDATURA	GUIDE SUPP.WELDING GROUP
401004840	1	COPERCHIO PER TELAIO	LOOM COVER
401004930	1	STAFFA RULLO	ROLLER CLAMP
401005020	1	SUPPORTO MOTORE	ENGINE SUPPORT
401005210	1	STAFFA	CLAMP
401005220	1	BASE TELAIO	SUB-FRAME
401005370	1	STAFFA MOTORE TENSION.	TENS.CLAMP ENGINE BET HT
⊕ 402002380	1	PIASTRINA DI BLOCCAGGIO	SEALING PLATE
402004710	1	PERNO	PIN
402004780	1	ALBERO ECCENTRICO	ECCENTRIC SHAFT
402004830	1	ALBERO SALDATURA	WELDING SHAFT
⊕ 402004860	1	CESOIA	CUTTER
402004870	1	RUOTA PER ARPIONISMO	BARRING GEAR WHEEL
402004970	1	PERNO RUOTA FOLLE	LOOSE WHEEL PIN
402004980	1	COPER. X PERNO RUOTA FOLLE	PIN COVER
402004990	1	PERNO LEVA DI SBLOCCO	LEVER PIN
402005010	1	RIDUTTORE EPICICLOIDALE	EPICYCLIC REDUCER
402005030	4	SATELLITE	SATELLITE
402005060	1	RUOTA FOLLE COMPLETA	COMPL.LOOSE WHEEL
402005090	1	GUIDA REGGIA ANT DX 16/19	HEAD GUIDE STRAP 16/19
402005140	1	ECCENTRICO AZION. SALDAT.	WELDING ECCENTRIC OPER.
402005170	1	BOCCOLA PER BASE TELAIO	BASE FRAME BUSH
402005180	1	STAFFA PER SWITCH SALDAT.	SWITCH
402005200	1	ARPIONE	PAWL
402005230	1	PERNO FISS.GRUPPO RULLO/RID.	STEADY PIN
402005270	1	DISTANZIALE	SPACER GUIDE SOCKET
402005280	1	BASE BET HT	BASE BET HT
⊕ 402005290	1	PIASTRINA RULLO	FEEDWHEEL PLATE
402005300	1	BOCCOLA SUPP. RIDUTTORE SX	RED. SUPP.GUIDE SOCKET LH
402005310	1	BOCCOLA SUPP. RIDUTTORE DX	RED.R SUPP.GUIDE SOCKET RH
402005330	1	BIELLA DI SBLOCCO	UNCLAMPING STIRRUP
402005360	1	TIRANTE	CRAMP ROD
402005390	1	PIASTRINA FISSAGGIO PARAURTI	PLATE FIXING BUMPER
402005400	1	DISTANZIALE SCHEDA	CARD SPACER
402005410	1	DISTANZIALE LATO PERNO	SIDE PIN SPACER
402005480	1	GUIDA REGGIA ANT DX 10/13	HEAD RH GUIDE STRAP 10/13
402005500	1	PERNO PER ARPIONE	CRAMP PIN
⊕ 402005510	1	RULLO TRASCINAMENTO	FEEDWHEEL BET
402005650	1	SUPP. PER GUIDAREGGIA POST	GUIDE STRAP SUPPORT
402005660	1	PERNO GUIDAREGGIA	GUIDE STRAP PIN
402005790	1	RONDELLA	WASHER
402005840	1	BIELLA VIBRANTE	MONOBLOC.CONN. ROD BET
⊕ 402005850	1	PIEDINO SALDATURA	WELD.MONOBLOC FOOT
402005980	1	PERNO	WELD.PIN FOOT M
402006150	3	PERNO	GUIDE SCREW
403004740	1	BOCC.x LEVA DI SALD.LATO COM.	WELD.GUIDE SOCKET LEVER
403004750	1	BOCC. x LEVA DI SALD.	GUIDE SOCKET LEVER
403005160	1	BUSSOLA PER LEVA SALDAT.	WELDING LEVER SOCKET
403005800	1	DISTANZIATORE	WELDING LEVER SOCKET
404004720	1	GUIDA PER LEVA DI COMANDO	LEVER GUIDE
404004730	1	COPERCHIO PER GUIDA	GUIDE COVER
404004960	1	ROTELLA REGOLAZIONE	CONTROL ROLLER
404005150	1	CAMMA PER SWITCH	SWITCH CAM

DISTINTA RICAMBI / SPARE PARTS LIST / SERIE ST BET HT -agg.11/03			
NUOVO COD.	Q.TA	DESCRIZIONE	DESCRIPTION
404005420	1	GUSCIO SINISTRO STAMPATO	BET LEFT COVER
404005430	1	GUSCIO DESTRO STAMPATO	BET RIGHT COVER
404005450	1	PARAURTI IN GOMMA	RUBBER-FACED BUMPERS
404005460	1	LEVA AZIONAM. SALD. NERA	SEALING LEVER
404005520	1	GOMMINO PROTEZ. PULSANTE	RUBBER PROTECTION
404005890	1	ISOLATORE SCHEDA	INSULATOR CARD
404007840	1	GOMMINO	RUBBER JOINT
407001330	1	MOLLA	VALVE SPRING
407002210	1	MOLLA CESOIA	COMPR.SPRING 1X6.3X15.5
407004380	1	MOLLA	COMPR.SPRING 0.7X6X18
407005080	1	MOLLA PER LEVA SALDATURA	LEVER SPRING
407005120	1	MOLLA PRECARICO GR. RULLO	LOAD SPRING
407005490	1	MOLLA PER ARPIONE	CRAMP SPRING
408005190	1	TIRANTE	TIE ROD OPENING
408005340	1	PROTEZIONE RULLO	FEEDWHEEL PROTECTION
408005350	1	COPERCHIO CESOIA	CUTTER COVER
408008550	1	ROND. DI SPESS. MOTORE BET	WASHER ST-BET MOTOR
501001510	2	ASTUCCIO A RULLINI HK 0808	ROLLER BEARING HK0808
501001520	2	CUSCINETTO 6001-2Z	BEARING 6001 2Z
501001530	1	CUSC.RULLINI NK 16/16	ROLLER BEARING NK16/16R
501002670	1	RUOTA UNIDIREZ. HF0612KF	ONEWAY BEARING INA HF 0612KF
501003570	2	CUSC.RAD.SFERE 61808-RS1	BEARING 61808-RS1
501003580	4	GABBIA A RULLINI 5X8X8:SKF	ROLLER-CAGE 5X8X8:SKF K TN
502001650	2	SEEGER PS 10X16X0,5	WASHER.PS10X16X0.5DIN988
503002770	2	ANELLO EL.X ALB. UNI 7435 D=8	ELAST.RING D8 7435
503002800	2	ANELLO EL. x ALB. D6 UNI 7435	ELAST. RING A6 UNI 7435
503003590	4	ANELLO ELASTICO AUTOBL.	ELAST. RING
503005270	2	SEEGER SW4	SEEGER SW 4
508002720	14	MOLLA TAZZA 15X8,2X0,7	CUP WASHER 15X8
515000090	8	VITE TCEI M4X10	SCREW TCEI M4X10 UNI5931
515000920	2	VITE TCEI M6x12 UNI5931	SCREW TCEI M6X12 UNI5931
515001190	2	VITE TCEI M6X22	SCREW TCEI M6X22 UNI5931
515001240	4	VITE TCEI M4X16	SCREW TCEI M4X16 UNI5931
515001280	4	VITE TCEI M4X6	SCREW TCEI M4X6 UNI5931
515001330	3	VITE TCEI M4X8	SCREW TCEI M4X8 UNI5931
515001340	4	VITE TCEI UNI5931 M4X12	SCREW TCEI M4X12 UNI5931
515001350	3	VITE TCEI UNI5931 M3X8	SCREW TCEI M3X8 UNI5931
515002280	6	VITE TCEI M3X10	SCREW TCEI M3X10 UNI 5931
515002450	3	VITE TSPEI DIN 7991 M4X6	SCREW TSPCE M4X6 BRUN.
515002660	2	VITE TCEI BASSA M6X12	SCREW TCEI RIB.M6X12 D7984
515002760	2	VITE TSPEI UNI 5933 M3X8	SCREW TSPEI M3X8 UNI 5933
515002860	2	VITE TCI UNI 6107 M 2X10	SCREW TCI M2X10UNI6107
515002880	1	VITE TBEI M4x16	SCREW TBEI M4X16 ISO 7380
515002910	1	VITE TSPEI UNI 5933 M3X10	SCREW TSPEI M3X10 UNI 5933
515002970	2	VITE TBEI M6X16 ISO 7380	SCREW TBEI M6X16 ISO 7380
515002990	1	VITE TCEI UNI5931 M4X20	SCREW TCEI M4X20 UNI5931
515003070	2	VITE TCEI UNI5931 M3X4	SCREW TCEI M3X4 5931
515003200	3	VITE TCEI M5X16	SCREW TCEI M5X16 UNI 5931
515003360	8	VITE AUTOF. TCB-TC 3.9X13	SCREW TCBCR3.9X13 6954
515003520	3	VITE TSPEI M6x10	SCREW TSPEI M6x10
515004610	1	VITE TCEI M3X30	SCREW TCEI M3X30 UNI 5931
515004660	1	VITE STEI ESTR.PIANA M5X35	SCREW STEI M5X35 UNI 5923
515007530	4	VITE TBCE M5X8 ISO 7380	SCREW TBCE M5X8 ISO 7380
516002250	1	DADO M5	NUT HEXAG.BASSO M5
516002810	1	ROSETTA 3,2x7 UNI6592 BRUN.	LOCK WASHERS 3.2X7UNI6592
516002840	2	DADO ESAG.SOTT.UNI 5590 M2	NUT HEXAG. M2 UNI55

DISTINTA RICAMBI / SPARE PARTS LIST / SERIE ST BET HT -agg.11/03			
NUOVO COD.	Q.TA	DESCRIZIONE	DESCRIPTION
516002940	4	ROSETTA ELAST. UNI1751 A4,3	ELAS.LOCK WASHERS A4.3
516004680	1	DADO AUTOBLOCCANTE M6	SELF-LOCKING NUT M6 D985 5S
516004910	1	DADO M4 AUTOBL. BASSO D985 5S	SELF-LOCKING NUT M4 D985 5S
517000620	1	SPINA ISO2338B D3X10	CYL.PIN TMP 3X10 DIN6325
517000750	2	SPINA ELASTICA 3X10	ELAST.PIN 3X10 UNI6874
517001320	2	SPINA CIL. 4X12	CYL.PIN TMP 4X12 DIN6325
517003500	1	SPINA TEMP. 4X24	CYL. PIN. TMP 4X24
521002620	1	BATTERIA 12V/2,6A	BATT.12V/2.6AH NI-MH 1234
521002630	1	LINGUETTA PER BATTERIA	BATTERY TONGUE 343579-1
521002640	1	CONTATTO BATTERIA	BATTERY CONT. 643918-8
521002920	1	MICRO CON CAVO E CONNETT.	INTER.MASUSHITA AVL32453
521003290	1	PULSANTE CON CAVO E CONN.	BUTTON
521003310	1	PORTA LED	LED RING RTF5010
521003320	1	SCHEDA ELET. CON CAVI ALIM.	ELETTRONIC CIRCUIT
521004620	2	ISOLATORE TO 220	INSULATOR TO 220
721040150	1	MOTORE ELETTRICO	ELECTRIC MOTOR
⊕ PARTE SOGGETTA AD USURA / WEARING PARTS			