

**TITAN Strapping Systems**

**MAX-L**

**Pneumatic Steel Strapping Tool**  
**3/4"**



**CE**

# Titan Max-L

Pos.	Description	Part #
1	Blind Plug	9990000140
2	O Ring	1230040100
3	O Ring	1230070154
4	O Ring	1230250020
5	Bushing	4264100200
6	Turcon-Glyd Ring	1996000040
7	Locking Washer	1223017080
8	Oval Head Screw	1049080210
9	O Ring	9910000003
10	Nipple	9921220020
11	Submersible Cap	1740000110
12	Hose Coupling	
13	Operating Pressure Plate	3264110000
14	CE Sign	1950000120
15	Piston	4264100300
16	Turcon-Glyd Ring	1996000062
17	Piston Rod	4264100800
18	Axial Washer	1392082100
19	Nut	1495080005
20	Cover Plate, Front	4264101100
21	Cylinder Screw	1001060460
22	Conical Spring Washer	1340006010
23	Cover Plate	4264101000
24	Countersunk Flat Bolt	1005060400
25	Nut	1230040100
26	Double Jaw Bolt	4264101500
27	Distance Sleeve	4264101800
28	Piston Pin	4264101600
29	Toggle Arm	4264101400
30	Toggle Bolt	4264101700
31	Screw Die	4264101200
32	Notching Cutter	4264101300
33	Guidance	4264100900
34	Locking Washer	1361000700
35	Cutter Guidance	4263111500

Pos.	Description	Part #
36	Cylinder Screw	1001050138
37	Pressure Spring	1620001432
38	Tension Element	4263111800
39	Cylinder Pin	1112050169
40	Cylinder Screw	1001030095
41	Threaded Pin	1087040109
42	Tension Sleeve	1141030080
43	Locking Washer	1223017030
44	Torsion Spring	3263113700
45	Tension Element Holder	4264100700
46	Du Bushing	1721214080
47	Tension Sleeve	1141050323
48	Rocking Bolt	4263112000
49	O Ring	1230120100
50	Rocking Bearings	4263112100
51	Needle Bushing	1530012123
52	Cylinder Screw	1001050460
53	Du Bushing	1721012008
54	Cylinder Pin	4263114100
55	Cylinder Pin	4263114200
56	Cylinder Screw	1001050230
57	Cylinder Screw	1001050174
58	Conical Spring Washer	1340005010
59	Ball	1585000100
60	Pressure Spring	1620001630
61	Pressure Spring	1620001930
62	Tension Sleeve	1141030080
63	Valve Piston	4263113900
64	Turcon-Glyd Ring	
65	Gear Unit Cover	4263112400
66	Needle Bushing	1530012123
67	Oval Head Screw	1049050130
69	Sealing Ring	9945000020
70	O Ring	1230090200
71	Valve Cover	4263112700

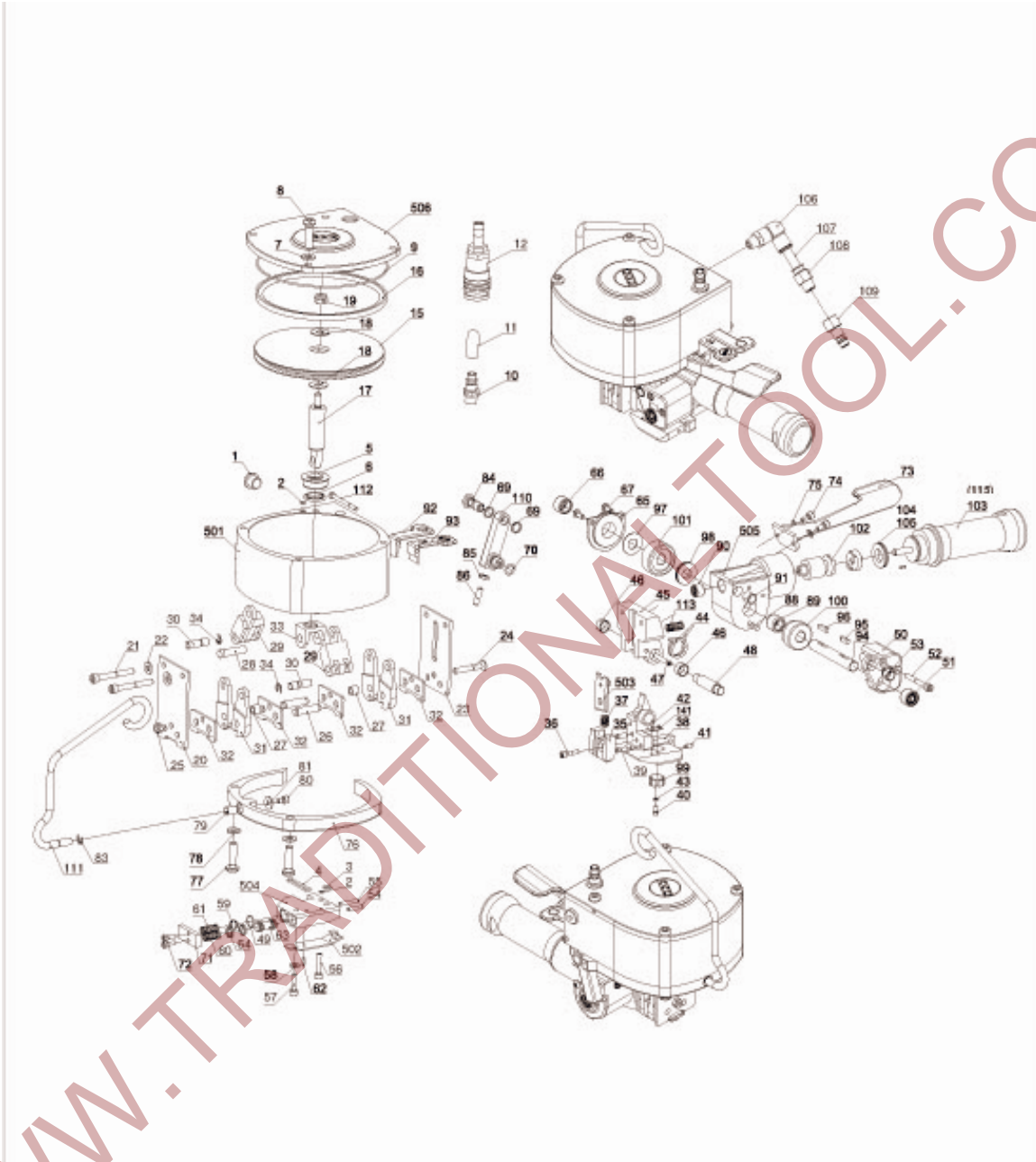


# Titan Max-L

Pos.	Description	Part #	Pos.	Description	Part #
72	Cylinder Screw	1001040130	97	Axial Washer	1392012266
73	Lifting Lever	3263112800	98	Axial Bearings	1510012266
74	Cylinder Screw	1001050110	99	Gudie Screw	4260100400
75	Locking Washer	1223017050	100	Transport Wheel	4260102000
76	Shackle Holder	4264100500	101	Worm Gear	3260102100
77	Oval Head Screw	1049080260	102	Worm	4260102200
78	Locking Washer	1223017080	103	Compressed Air Motor	9159163180
79	Tolerance Ring	1719000812	104	Axial Washer	1392015281
80	Cylinder Screw	1001050090	105	Axial Bearings	1591015280
81	Washer	1307053010	106	Fitting	9942071020
83	Locking Washer	1361000700	107	Hose	4263115000
84	Banjo Bolt	4263113600	108	Fitting	9942070020
85	Nut	1401060010	109	Nipple	9921230020
86	Threaded Pin	1085060210	110	Rotary Transmission Leadthrough	4264100600
88	Cylinder Pin	1112050120	111	Suspension Shackle	4264101900
89	Needle Sleeve	1520212140	113	Pressure Spring	1620002072
90	Needle Sleeve	1530010100	141	Band Gudiance 3/4"	4263113301
91	Du Bushing	1721012109	501	Cylinder, Complete	4826415020
92	Tension Lever	4263113400	502	Locking Lever, Complete	4826315050
93	Locking Lever	4263113500	503	Cutter, Complete	4826415010
94	Tension Shaft	4263113800	504	Valve housing, Complete	4826315080
95	Feather Key	1631044160	505	Gearbox, Complete	4826315090
96	Feather Key	1631044188	506	Cover, Complete	4826415030

**TTR** TRADITIONAL  
TOOL REPAIR, INC.  
WWW.TRADITIONALTOOL.COM

# Titan Max-L



**TTR** **TRADITIONAL**  
TOOL REPAIR, INC.  
WWW.TRADITIONALTOOL.COM