

OPERATION, PARTS AND SAFETY MANUAL

 **SIGNODE[®]**

BXT 19

BATTERY-HAND TOOL FOR PLASTIC STRAPPING

**IMPORTANT!
DO NOT DESTROY**

It is the customer's responsibility to have all operators and servicemen read and understand this manual.

Contact your local Signode representative for additional copies of this manual.

READ ALL INSTRUCTIONS BEFORE OPERATING THIS SIGNODE PRODUCT

TABLE OF CONTENTS

	Page
1 Technical data	3
2 General information	4
2.1 Information on environmental protection	4
3 Safety instructions	5
3.1 Safety instructions for battery charger and battery	5
4 Description	6
4.1 Major components	6
4.2 Operating panel	6
4.3 Function	6
4.4 Battery charger	7
5 Initial operation	8
5.1 Battery charger	8
5.2 First battery charge	8
5.3 Charging the battery	8
6 Operating instructions	9
6.1 Operating the tool	9
6.2 Strap seal inspection	10
6.3 Operating panel	11
6.3.1 Checking battery charge	11
6.3.2 Setting strap tension	11
6.3.3 Setting welding time	11
6.3.4 Setting strap tension range	12
6.4 Setting strap width	12
7 Preventive and corrective maintenance	13
7.1 Cleaning/replacing tension wheel	13
7.2 Cleaning/replacing tooth plate	13
7.3 Replacing cutting knife	13
8 Recommended spare parts	14
8.1 Parts list	14
Exploded drawing	17

1

TECHNICAL DATA



Note on performance

In order to achieve peak performance, only original batteries and charger may be used.

Weight	4.2 kg (9.9 lbs) (incl. battery)
Dimensions	Length 375 mm (14.7") Width 130 mm (5.1") Height 140 mm (5.5")
Strap tension	400–3300 N (88–727 lbs)
Tension speed	250 mm/s (9.8"/s)
Sealing	Friction welded

BATTERY (Bosch 14.4 V)

Strappings with one battery charge	120–250 (PP) 80–150 (PET) depending on strap, strap tension and package
Service life	Up to approx 2000 chargings

BATTERY CHARGER (IFC 1702d)

Voltage	100–240 V
Mode of operation	Discharge/Charge
Charging time	approx. 60–75 minutes (incl. previous discharging)

PLASTIC STRAP

Strap quality	Polypropylene (PP) Polyester (PET)
Strap width adjustable to	15–16 mm ($\frac{5}{8}$ " (PET) 18–19 mm ($\frac{3}{4}$ " (PET, PP)
Strap thickness	Polypropylene 0.8–1.0 mm (.031"–.039") Polyester 0.8–1.3 mm (.031"–.051")

▲ WARNING

2

GENERAL INFORMATION

These operating instructions are intended to simplify familiarisation with the strapping tool and its proper use for the intended purpose. The operating instructions contain important information concerning the safe, proper and efficient use of the strapping tool. Compliance with the instructions will help to avoid danger, reduce repairs and stoppages and increase the reliability and service life of the strapping tool.

The operating instructions must always be available at the place of operation of the strapping tool. They must be read and observed by all persons concerned with work on the strapping tool. This work specifically includes operation, refilling of operating material, fault elimination and maintenance.

In addition to the operating instructions and the regulations for accident prevention effective in the country of use and place of application, the recognised technical regulations for safety and proper operation must also be observed.



CAUTION!

Used where there is danger to life and health.



WARNING!

Used for danger which can cause material damage

2.1 INFORMATION ON ENVIRONMENTAL PROTECTION

This tool is manufactured without any physical or chemical substances which could be dangerous to health.

For disposal of all the parts, the governmental instructions must be observed. The electrical assemblies should be dismantled so that the mechanical, electro-mechanical and electronic components can be disposed of separately.

Dealers provide an environmentally-friendly battery disposal service

- Do not open the battery.
- Do not throw the used battery into household waste, fire or water.

Defective or used batteries undergo a complete recycling process.

⚠ WARNING

3

SAFETY INSTRUCTIONS



Inform yourself!

Read the operating instructions carefully. Preventive and corrective maintenance on the tool may only be carried out by trained personnel.



Original spare parts must be used exclusively!

Not using original spare parts will dissolve the warranty and the liability.



Protect yourself!

When operating the tool, wear eye, face and hand protection (cut-proof gloves).



Use for the intended purpose

This tool is designed for strapping packages, pallet loads and the like.

The tool was designed and manufactured to provide safe handling during the strapping operation.



Power source!

Before starting preventive or corrective maintenance, remove battery from the tool.

The tool is designed for use with plastic straps (polypropylene and polyester).

Possible misuse

The use of steel straps is not possible.



Warning:

Strap will snap forward!

When cutting the strap, hold the upper portion and stand safely away from the strap.

Caution:

The lower strap will snap forward.

3.1 SAFETY INSTRUCTIONS FOR BATTERY CHARGER AND BATTERY



Warning:

Strap could break!

Do not stand in line with the strap while it is tensioned. The strap could break!



Always inspect the electrical plug and cable before use. If damaged, they must be replaced by qualified personnel.



Caution:

Only strap packed goods!

Do not put hands or other parts of the body between the strap and the package during the strapping process.

- Do not charge other types of batteries (see chapter 5.1) and use original accessories only.
- Keep the battery charger slot free of foreign objects and protect against dirt.
- Protect the battery charger against humidity and use it in dry areas only.
- Do not open the battery. Protect the battery against impact, heat and fire. Risk of explosion!
- When the battery is outside the battery charger, cover its battery terminals to avoid short circuits with metal objects. Risk of fire and explosion!
- Keep battery dry and protected against frost. Do not store it at temperatures over 50°C (122°F) or below 10°C (50°F).
- Damaged batteries should not be used longer.



Caution:

Danger of squeezing!

Do not put your fingers into the tension wheel area.



Do not use water!

Do not use water or steam to clean the tool.

4

DESCRIPTION

4.1 MAJOR COMPONENTS

- 1 Operating panel
- 2 Strap tensoning push button
- 3 Handle
- 4 Battery
- 5 Rocker lever
- 6 Welding/cutting button
- 7 Welding/Cutting
- 8 Tensioning
- 9 Battery charger (refer to chapter 4.4)

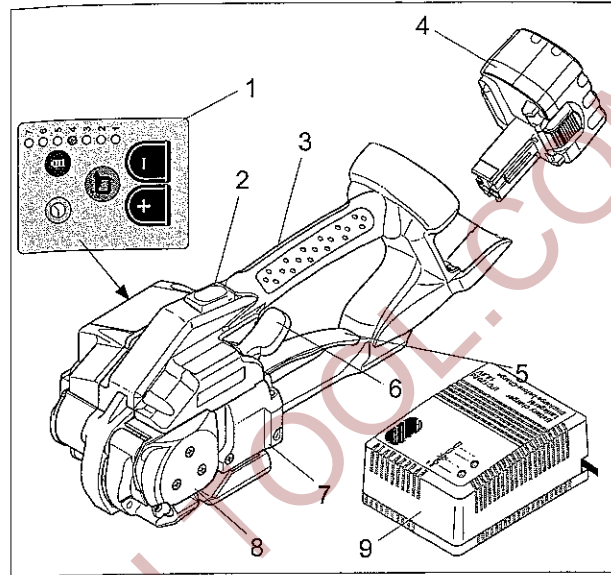


Fig 1

4.2 OPERATING PANEL

- 1 Welding time push button
- 2 Strap tension push button
- 3 Battery push button
- 4 LED-indicators 1-7
 - Green = Strap tension setting
 - Red = Battery empty indicator
- 5 Setting - push button
- 6 Setting + push button

For detailed information of the operating panel, refer to chapter 6.3.

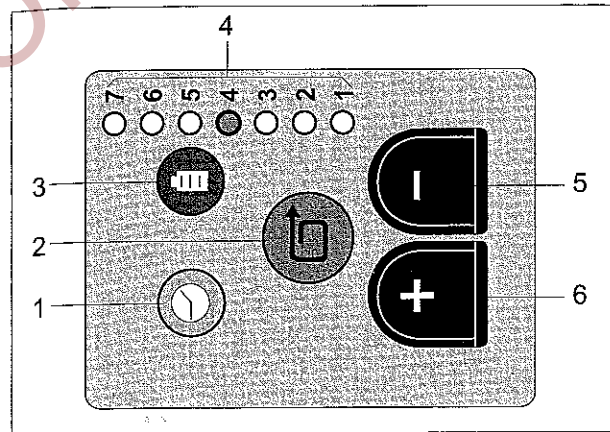


Fig. 2

4.3 FUNCTION

- Clamping of the straps by tooth plate on rocker (3/1).
- Tensioning by feed wheel (3/2) anti-clockwise.
- Friction welding (3/3) of the straps.
- Upper strap is cut by knife (3/4).

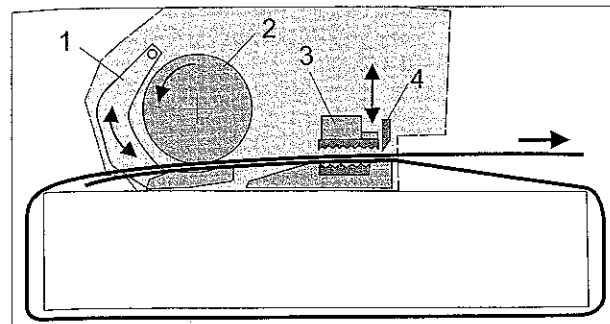


Fig. 3

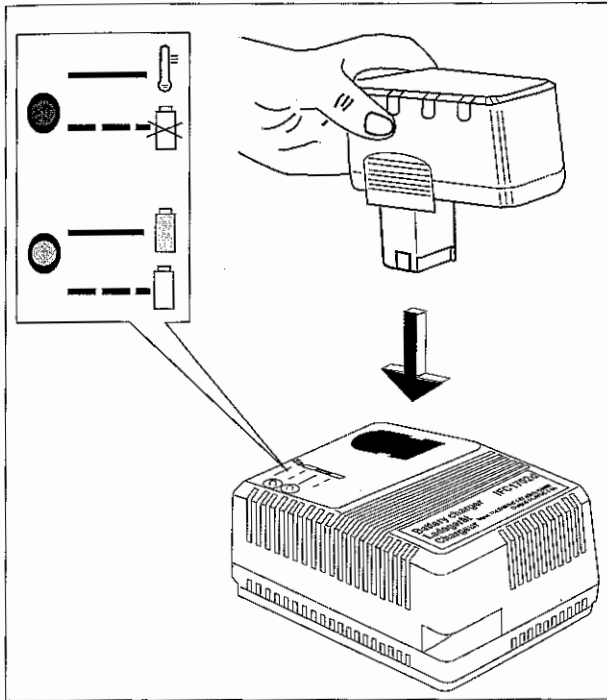


Fig. 4

4.4 BATTERY CHARGER

The battery charger (IFC1702d) is a special device with both charging and discharging functions for maximum battery power and life.

- When a battery is placed in the charger, the remaining charge level is tested first. If the battery is not completely discharged, the charger will first empty it.
- After discharging, the battery charger switches automatically to charge. The battery will be fully charged in four steps by the pulse charging technique.

Battery discharging time: approximately 15 minutes with discharged battery from strapping machine

Battery charging time: 14.4 V/2.4 Ah
> +/- 60 minutes

Battery charger indicators:				
Process / Status	Function	red LED	green/orange LED	
Charger switched on	Standby	lit	LED lit green	
↓				
Battery inserted	Discharging	off	LED blinks orange	
↓				
Battery inserted	Charging	off	LED blinks green	
↓				
Battery inserted	Charged, Trickle charging	off	LED lit orange	
↓				
Battery removed	Standby	lit	LED lit green	

5

INITIAL OPERATION

5.1 BATTERY CHARGER

The mains supply must comply with the specifications on the rating plate (Fig. 5).

The battery charger is suitable only for charging batteries from the Bosch range of tools (NiCd/NiMH) with the voltage of 14.4 V.

Input 90-135VAC, 170-264VAC / 47...65 Hz
Battery Type: Bosch NTC-Battery 14,4V

Fig. 5

5.2 FIRST BATTERY CHARGE

NOTE:

Please observe the following points in order to ensure optimum battery life:

- Connect battery charger (177) to mains supply.
- Insert battery (176) into battery charger slot.

For the first charge, leave the battery in the charger for at least five hours, regardless of the battery indicator (the charging time for all subsequent charges is about 60 minutes).

For all subsequent charges, only recharge the battery when the LED indicator on the tool indicates battery empty or the battery charge indicators shows a minimum of level 5 or lower (see Chapter 6.3.1). Avoid charging when the battery is not yet discharged. This will ensure optimum battery capacity and life.

Maximum battery output will be reached after four or five charging/discharging cycles.

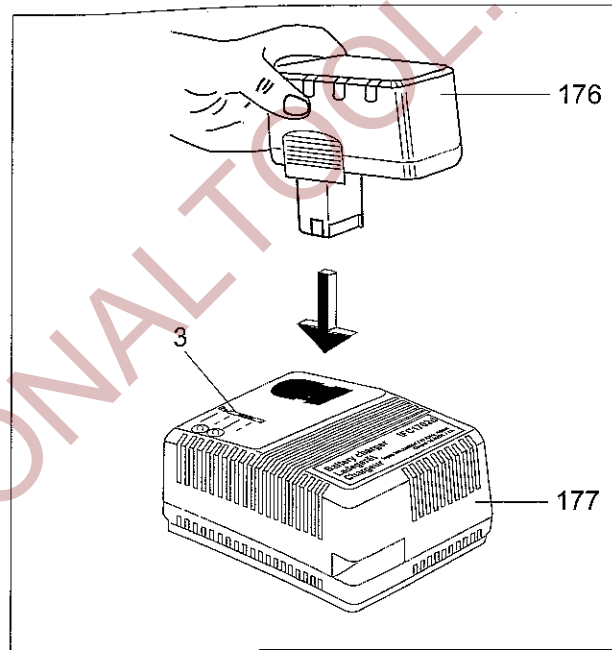


Fig. 6

5.3 CHARGING THE BATTERY

The charging process and error functions are indicated by a green light (see chapter 4.4).

The charging time is approximately 60–75 minutes.

The maximum charging current flows when the temperature of the battery is between 15–40°C. Avoid charging the battery at temperatures below 0°C and above 40°C.

NOTE:

If the battery is not to be used for a longer period (several days), it should be removed from the tool and charged/stored in the battery charger.

The intelligent charger with fuzzy control charges the battery with the optimum rapid charging current, depending on temperature and capacity. If fully charged, a preserving charge will prevent self-discharge and thus guarantee a long battery life.

6

OPERATING INSTRUCTIONS

⚠ WARNING

Wear safety glasses. Stand to one side of the strap when tensioning.
Make sure all bystanders are clear before proceeding.

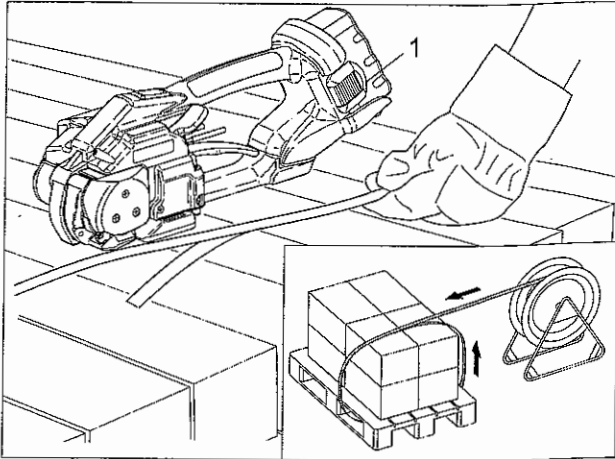


Fig. 7 Place strap around package

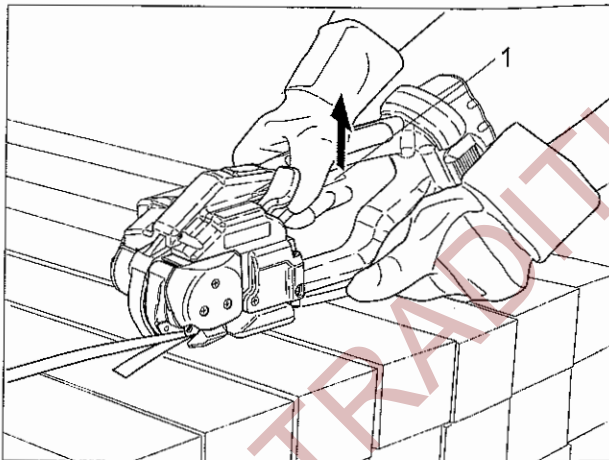


Fig. 8 Slide straps into tool

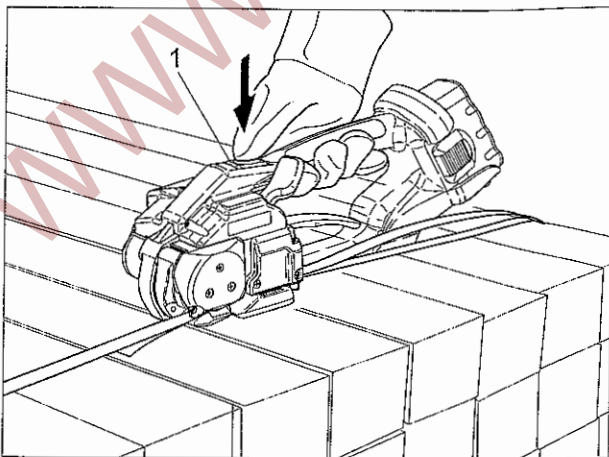


Fig. 9 Strap tensioning

6.1 OPERATING THE TOOL

- Insert charged battery (7/1) into strapping tool.
- Place strap round goods to be packaged, so that the straps lie one above the other on top of package. The beginning of the strap is underneath. Hold the straps with the left hand so that the strap beginning is approximately 20 cm (8") ahead of the hand.

- Take the tool in the right hand and lift the rocker lever (8/1) towards the handle.
- Slide the straps, one on top of the other, into the tool up to the stop.

NOTE:

The strap lead is now approximately 5 cm (2") beyond the tool.

- Release the rocker lever.

- Press the push button (9/1). The strap is tensioned until the required or pre-selected strap tension is reached.
- **The strap tension can be adjusted on the operating panel (see Chapter 6.3.2).**
- The strap can be re-tensioned at any time.

Releasing strap tension

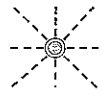
In order to release the strap tension after the tensioning process, lift rocker lever (8/1) against handle.

NOTE:

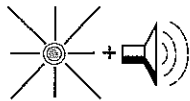
Tensioning – welding

The welding process is started only when the minimum strap tension of 400 N has been attained.

- Depress button (10/1) completely to the stop. The straps are welded together and the upper strap is cut off. The LED indicator (10/2) indicates the cooling time of the sealing:



~2 sec.



LED flashing

After finishing the friction welding, the green LED flashes for approx. two seconds. Do not remove the tool during this time!

Continuous LED and audible signal

The sealing cycle is finished.

If the straps have not been welded and an audible signal sounds, this means the minimum strap tension was not attained → re-tension.

- After the LED has stopped flashing and the audible signal sounds, raise the rocker lever up to the handle.
- Swing the tool away from the strapping backwards and to the right.
- Check the seal (refer to chapter 6.2).

If the tool is used in a dirty environment, it is recommended that it should be cleaned daily. In particular the tension wheel and the tooth plate should be checked for damage and kept clean. This is best performed by blasting with compressed air (wear goggles).

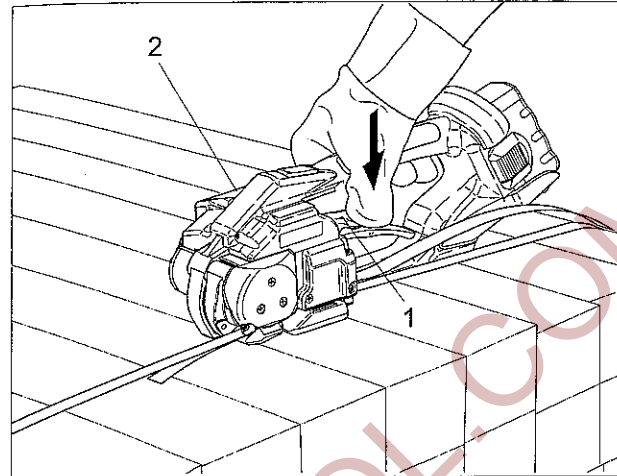


Fig. 10 Welding straps

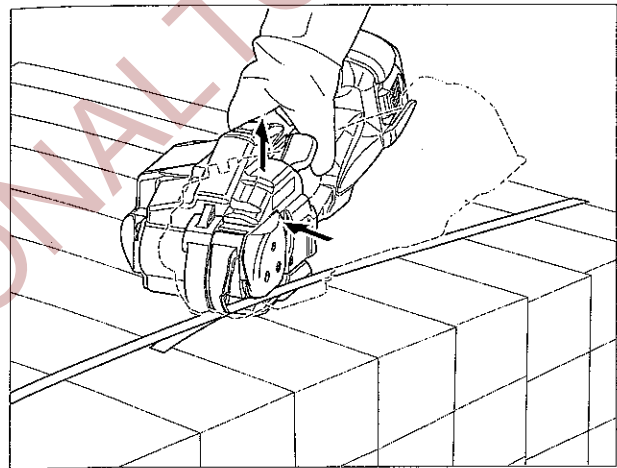


Fig. 11 Removing tool

6.2 STRAP SEAL INSPECTION

- Check appearance of seal (see fig. 12) regularly. If the straps are poorly welded, **check the welding time setting (refer to chapter 6.3.3).**
- 1 Poorly welded seal (not welded over the complete surface), welding time too short.
 - 2 **Good seal** (the complete surface is cleanly welded without excess material being forced out sideways).
 - 3 Poorly welded seal (excess material is forced out sideways), welding time too long.

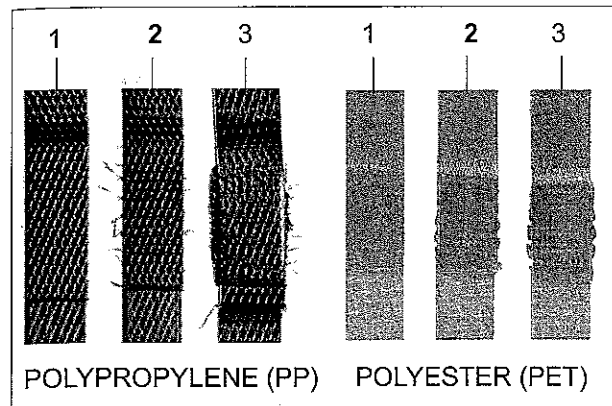


Fig. 12 Checking of seal



An incorrectly welded strapping cannot secure the package and can thus lead to injuries.

Never transport or move packaged goods with incorrectly welded seals.

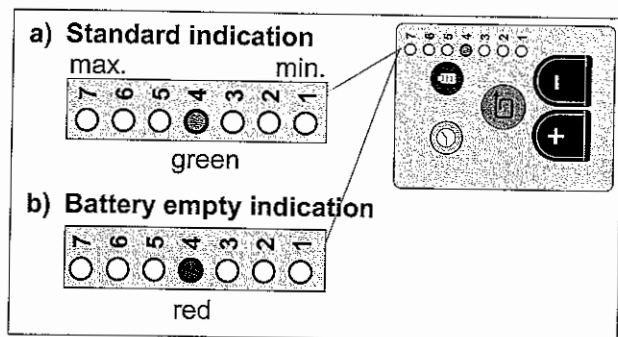


Fig. 13

6.3 OPERATING PANEL

a) Standard indication (green)

The current strap tension setting is monitored with inserted and charged battery.

- 1 = minimum strap tension (approx. 400 N) (88 lbf)
- 7 = maximum strap tension (approx. 1400/3300 N*) (308-750 lbf)

* depending on strap tension range, refer to chapter 6.3.4.

– For adjustment of strap tension, refer to chapter 6.3.2.

b) Battery empty indication (red)

If the inserted battery is empty, the LED switches to red and the battery must be charged, refer to chapter 5.3.

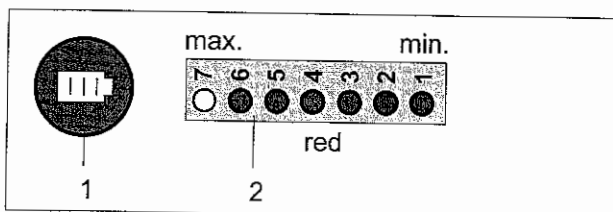


Fig. 14

6.3.1 CHECKING BATTERY CHARGE

- Depress battery push button (14/1) briefly. Read off battery charge on LED indicator (14/2)
 - 1 = empty battery
 - 1–3 = minimum charge (battery must be charged soon)
 - 1–5 = decreasing charge (charging possible)
 - 1–6 = good charge (charging would damage the battery)
 - 1–7 = maximum battery charge (charging would damage the battery)

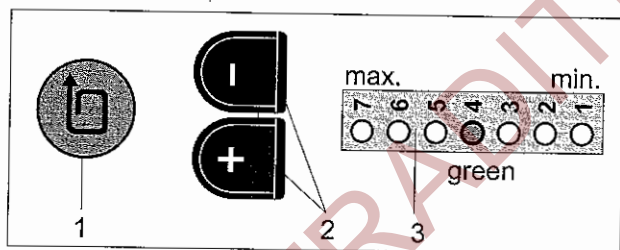


Fig. 15

6.3.2 SETTING STRAP TENSION

- Depress strap tension push button (15/1) briefly until LED indicator (15/3) flashes.
- Depress – or + push button (15/2) until flashing LED indicator shows required strap tension (wait two seconds until new setting is saved).
 - 1 = minimum strap tension (ca. 400 N) (88 lbf)
 - 7 = maximum strap tension (ca. 1400/3300 N*) (308-750 lbf)

* refer to Chapter 6.3.4.

6.3.3 SETTING WELDING TIME

- Depress welding time push button (16/1) briefly until LED indicator (16/3) flashes.
- Depress – or + push button (16/2) until flashing LED indicator shows required welding time (wait two seconds until new setting is saved).
 - 1 = minimum welding time
 - 7 = maximum welding time

NOTE:

Cutting

The cutting of the strap is influenced by the welding time. If the tool cuts badly, extend the welding time by one interval.

6.3.4 SETTING STRAP TENSION RANGE

NOTE:

The following two strap tension ranges can be set on the tool:

A = 400–3300 N (standard) (88–750 lbs)
B = 400–1400 N (eg for PP-straps) (88–308 lbs)

Check strap tension range

- Depress and hold down “-” push button (17/2), and depress strap tension push button (17/1) for one second.
- If the LEDs 1–7 are flashing = A (400–3300 N)
- If the LEDs 1–4 are flashing = B (400–1400 N)

Change strap tension range

- Depress and hold down “-” push button (17/2), and depress strap tension push button (17/1) for one second.
- Depress “-” or “+” push button briefly so strap tension range changes (wait two seconds until new setting is saved).

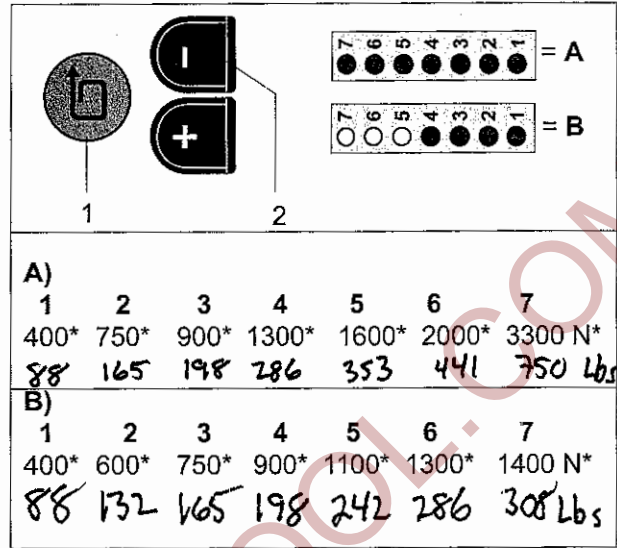


Fig 17

* Standard values! Actual value on package depends on strap and package.

6.4 SETTING STRAP WIDTH

NOTE:

The tool can be used with two different strap widths (15–16 mm (5/8") or 18–19 mm (3/4").

a) Change strap width from 15–16 mm to 18–19 mm

- Remove battery from tool.
- Release sunk screw (18/2) and remove strap stop 16 mm (18/1).
- Lift the rocker lever towards the handle, release sunk screw (18/4) and remove strap guide 16 mm (18/3).

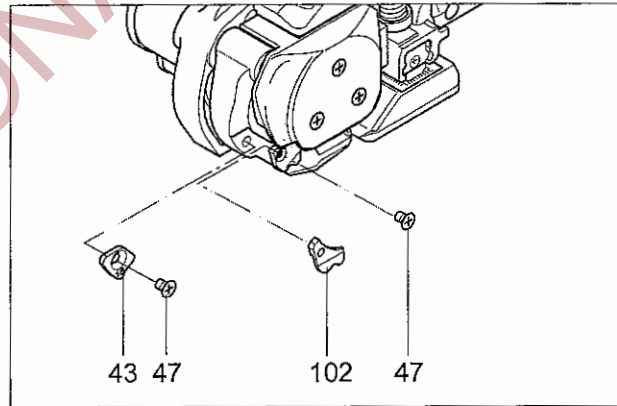


Fig 18

- Release sunk screw (19/3) and cylinder screw (19/1) and remove cover (19/4).
- Release cylinder screw (19/5) turn strap stop (19/2) 180° and remount it.
- Unscrew threaded bolt eight turns with screwdriver (19/6).
- Pull down strap guide (19/7) and turn it 180° until 19 mm indicator appears.
- Tighten threaded bolt with screwdriver (19/6) and mount cover (19/4).
- Secure screws (19/1) and (19/3) with Loctite 222.

b) Change strap width from 18–19 mm to 15–16 mm

- Sequence as described under point a).
- Mount 16 mm strap stop (18/1) and secure sunk screw (18/2) with Loctite 222.
- Mount 16 mm strap guide (18/3) and secure sunk screw (18/4) with Loctite 222.
- Turn strap stop (19/2).
- Turn strap guide (19/7) until “16” indicator appears.

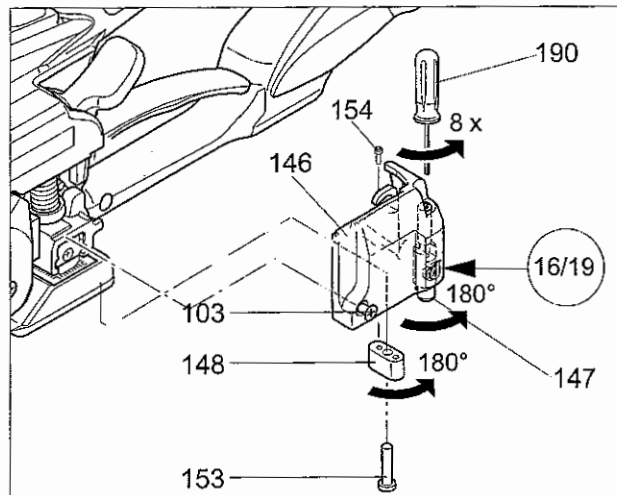


Fig 19

7

PREVENTIVE AND CORRECTIVE MAINTENANCE

All preventive maintenance tasks can be performed with a Phillips screw driver!

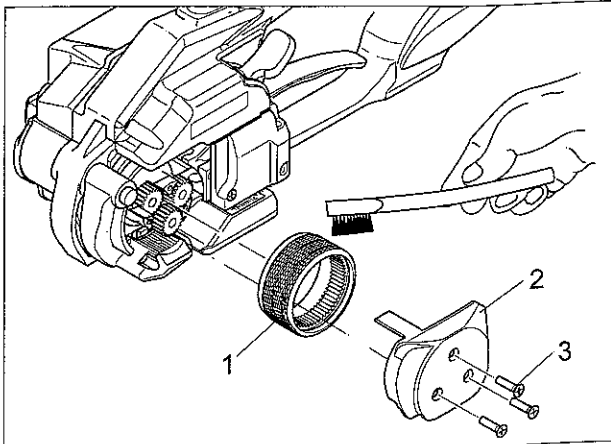


Fig. 19



The tension wheel must not be cleaned while it is rotating. There is a risk breaking teeth!

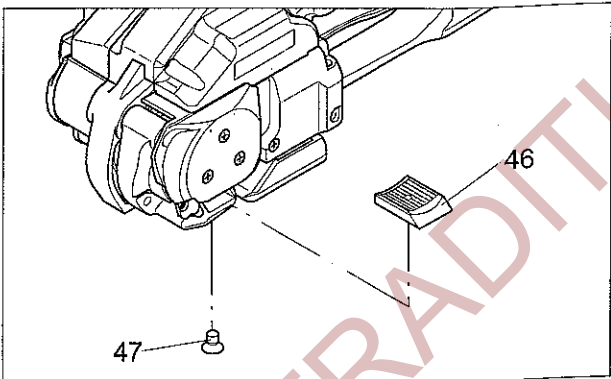


Fig. 21

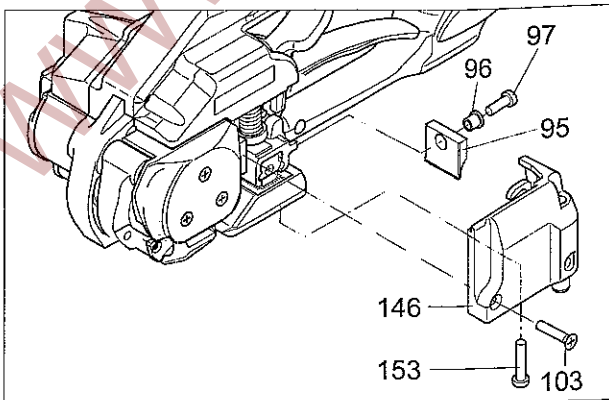


Fig. 22

7.1 CLEANING/REPLACING TENSION WHEEL

Removal

- Remove battery from tool.
- Release three sunk screws (103) and remove cover (100) with ball bearing.
- Carefully remove tension wheel (38).
- Clean the tension wheel with compressed air (wear goggles).
- If the tension wheel teeth are covered with heavy dirt, they must be carefully cleaned with the wire brush supplied or a sharp tool.
- Check tension wheel for worn teeth. If a few teeth are worn, replace tension wheel.

Installation

- Install the parts in reverse order.
- Grease gear teeth of tension wheel **lightly** with Klüber grease GBU Y 131 (Microlube).
- Secure sunk screw (103) with Loctite 222.

7.2 CLEANING/REPLACING TOOTH PLATE

Removal

- Remove battery from tool.
- Release sunk screw (47) and remove tooth plate (46).
- Clean tooth plate with compressed air (wear goggles).
- If the tooth plate teeth are covered with heavy dirt, they must be carefully cleaned with the wire brush supplied or a sharp tool.
- Check tooth plate for worn teeth, if necessary replace tooth plate.

Installation

- Install the parts in reverse order.
- Secure sunk screw (47) with Loctite 222.

7.3 REPLACING CUTTING KNIFE

Removal

- Remove battery from tool.
- Release sunk screw (103) and cylinder screw (153) and remove cover (146).
- Release cylinder screw (97) and remove cutting knife (95) with flanged bushing (96). Replace cutting knife.

Installation

- Install the parts in reverse order.
- Before install cutting knife, check that the compressing spring on top of knife is still mounted.
- Secure screw (153), (103) and (97) with Loctite 222.

8

RECOMMENDED SPARE PARTS

When ordering please indicate part number

KEY	QTY	PART #	DESCRIPTION	KEY	QTY	PART #	DESCRIPTION
38	1	426491	Tension wheel				
46	1	426197	Tooth plate				
95	1	426443	Cutter knife				
8.1 PARTS LIST BXT 19 426480							
1	1	426444	Base plate complete, incl. pos. 3-5	40	1	426449	Rocker
2				41			
3	2	425758	Slide bearing, Ø10/12 x 15	42			
4	2	425759	Slide bearing, Ø12/14 x 8	43	1	426450	Strap stop, front, 16 mm
5	1	425833	Cylinder pin, Ø10 h6 x 55	44			
6				45	6	426479	Counter sunk screw, M3 x 8
7	1	426445	Tooth plate below	46	1	426197	Tooth plate
8	1	425715	Set screw	47	2	425843	Counter sunk screw, M4 x 6
9				48			
10	1	426446	Bevel wheel with pinion	49	1	425690	Motor complete
11				50			
12	1	425755	Ball bearing, Ø10/22 x 6	51			
13	1	425739	Spacer ring	52			
14	1	425742	Blocking wheel complete, incl. pos. 16	53	1	425740	Carrier
15				54	3	425751	Ball bearing, Ø15/24 x 5
16	1	425834	Free-wheel needle bearing, Ø10/14x22	55	1	425738	Toothed belt wheel complete, incl. pos. 57
17	1	425753	Ball bearing, Ø10/22 x 6	56			
18	1	425835	Retaining ring, Ø10	57	1	425844	Bushing, Ø6/10 x 12
19	1	426482	Spacer disk, Ø10/22 x 0.5	58	1	426490	Bevel wheel complete, incl. pos. 60
20	2	425836	Spacer disk, Ø36/48 x 0.5	59			
21	1	425837	Internal gear ring	60	1	425845	Bushing, Ø6/10 x 15
22	3	425838	Planetary wheel 1. Step	61			
23	1	425737	Planetary support complete	62			
24				63	1	426201	Bushing complete, incl. pos. 77
25				64			
26				77	1	425846	Ridget pin, Ø 3x8 DIN 1469
27	1	425756	Needle bushing, Ø10/14 x 15	65	1	426202	Needle bushing, Ø12/18 x 12
28	1	425839	Spacer disk, Ø12/24 x 0.5	66	1	425754	Ball bearing, Ø12/24 x 6
29				67	1	425847	Retaining ring, J Ø24
30	1	425741	Flange complete, incl. pos. 33	68	1	426203	Eccentric shaft
31				69	1	425721	Eccentric shaft
32				70	1	425719	Disk
33	1	425840	Cylinder pin, Ø4 m6 x 20	71			
34	5	425841	Cylinder screw, M4x12	72	2	425848	Cylinder screw, M5 x 12
35	1	426447	Cam disk	73	1	425688	Toothed belt
36	2	425752	Ball bearing, Ø35/47 x 7	74	3	425849	Cylinder screw, M5 x 20
37	3	425685	Planetary wheel 2. Step	75	1	426452	Swivel bearing complete, incl. pos. 77
38	1	426491	Tension wheel	76			
39				77	1	425950	Ridget pin, Ø3x8 DIN 1469

Bold = Recommended spare parts

KEY	QTY	PART #	DESCRIPTION
78	1	425677	Tension spring
79	1	425951	Retaining ring, A Ø23
80	1	425952	Retaining ring, A Ø12
81	1	426204	Connecting rod
82	1	425717	Shaft
83	1	426205	Ball bearing, Ø9/26 x 8
84	1	425679	Washer
85	2	425953	Cylinder screw, M4x10
86	2	426206	Counter sunk screw, M3 x 8
87	1	426453	Welding shoe
88	1	425955	Oval head screw, M3 x 5
89	1	425718	Safety plate
90	2	425714	Ball bushing
91	1	425711	Cover plate
92			
93	1	426454	Tooth plate top
94	1	425672	Compression spring
95	1	426455	Cutter knife
96	1	425713	Flanged bushing
97			
98			
99			
100	1	426456	Cover tensioning
101			
102	1	426457	Strap guide, 16 mm
103	1	425957	Counter sunk screw, M4 x 16
104	3	426198	Counter sunk screw, M4 x 12
105			
106			
107			
108			
109	1	425735	Rocker lever complete, incl.pos.111-113
110			
111	1	425958	Threaded bolt, M8
112	1	425959	Ridget pin, Ø4 x 30
113	1	425960	Cylinder pin, Ø4 x 30
114	1	425732	Blocking paw
115	1	425681	Bolt
116	1	425736	Toothed segment
117	2	425961	Spacer disk, Ø10/16 x 0.5
118	1	425962	Retaining ring, Ø8
119	1	425963	Cylinder screw, M4x25
120	1	425682	Tension spring bolt
121	1	425678	Tension spring
122			
123	1	425964	Globule hardened, Ø8
124	1	425671	Compression spring
125	1	425965	Set screw, M10 x 8
126	1	425676	Compression spring
127	1	425724	Welding bouton
128	1	425730	Bolt
129			

KEY	QTY	PART #	DESCRIPTION
130	1	426459	Cam
131	1	425966	Set screw, M5 x 8
132	1	425692	Micro switch, welding
133	2	425967	Oval head screw, M2 x 10
134	1	425968	Counter sunk screw, M4 x 10
135	1	425725	Spring bow
136	1	425726	Roller
137	1	425727	Shaft
138	1	425728	Pressure bolt
139	1	425674	Spring
140	1	425969	Lock nut, M6
141	2	425970	Retaining ring, Ø4
142	1	425680	Shaft
143			
144			
145			
146	1	425704	Cover welding
147	1	426460	Strap guide, 16/19 mm
148	1	426461	Strap stop 16/19 mm
149	1	425745	Hook
150	1	425746	Threaded bolt
151	1	425748	Threaded bolt
152	1	425675	Compression spring
153	1	425971	Oval head screw, M4 x 25
154	1	425972	Oval head screw, M3 x 12
155	1	425699	Gear cover
156	5	425973	Oval head screw, M4 x 10
157			
158	1	425974	Housing part right, black
159			
160	1	425975	Housing part left, black
161			
162	10	425976	PT-Screw, KA 35x20
163			
164	1	425703	Protection cover
165			
166	1	425689	Switch button, red
167	1	425673	Compression spring
168	1	425691	Micro switch, tensioning
169			
170	1	425977	Motor cover complete, black
171	1	425694	Contact plate complete
172	1	426462	Printed circuit board digital
173	2	425978	PT-Screw, KA 30x10
174			
175	2	426463	Washer, M 3
176	2	426464	Battery 14.4V 2.4 Ah
177	1	426465	Charger, 100-240 V, EU
177	1	426466	Charger, 100-240 V, USA
180	1	425979	Indication plate, CE
181	1	425980	Indication plate, Safety
182	1	426199	Indication plate, 14.4 V
183	1	425981	Name plate
184	1	426468	Name plate

Bold = Recommended spare parts

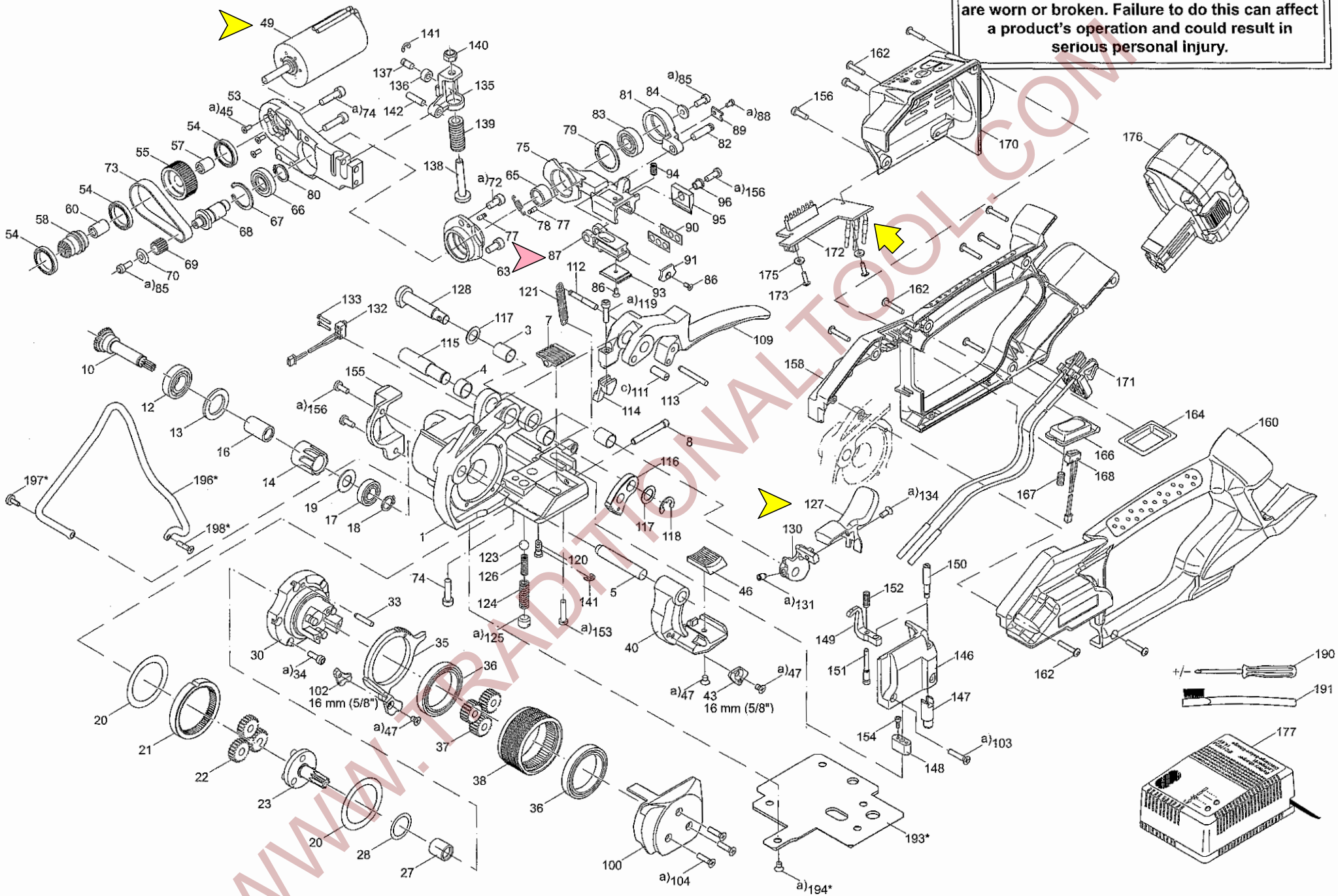
KEY	QTY	PART #	DESCRIPTION
	1	425982	Tool-set
190	1	425983	Screwdriver (Phillips)
191	1	425697	Wire brush
		426469	Option: protection plate-set
193	1	426470	Protection plate
194	5	425985	Counter sunk screw, M 5 x 8
		425764	Option: suspension bow-set
196	1	425986	Suspension bow
197	1	425987	Oval head screw, M5 x 10
198	1	425988	Oval head screw, M4 x 20
		426471	Spare part-set: strap guide 16 mm
43	1	426472	Strap stop, front, 16 mm
102	1	426473	Strap guide, 16 mm
47	2	425990	Counter sunk screw
			Spare part-set: housing parts
	1	425991	Housing parts, black, incl. pos. 158/160

When ordering please indicate part number.

WWW.TRADITIONALTOOL.COM

▲WARNING

Inspect all parts daily and replace them if they are worn or broken. Failure to do this can affect a product's operation and could result in serious personal injury.



a)Loctite 222 b)Loctite 243 c)Loctite 638 *Optionen/Options

BXT 19

25.05.05



EU DECLARATION OF CONFORMITY

We take sole responsibility for declaring that the tool to which this declaration refers, is in full compliance with the current requirements of the guidelines laid down by the council on 22th June 1998 (98/37/EEC), "Machine Guidelines" and on 3th May 1989 (89/336/EEC), "EMV Guidelines".

Machine Description: BXT 19

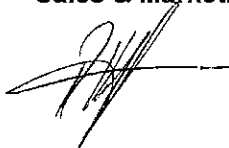
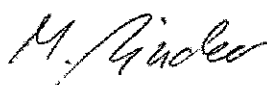
Machine Type: Battery-hand tool for plastic strapping

Provisions with which machine complies: 98/37/EEC, 89/336/EEC

Harmonized Euro-Norms with which machine complies: EN ISO 12100-1, EN ISO 12100-2, EN 349, EN 1050, EN 50082-2, IEC 61000-6-2, EN 55022, EN 50081-1

Technical Standards with which machine complies: NA

Signature:

Manager Sales & Marketing:	Manager Engineering:
	
R. Kieffer	M. Binder

Date: March 2005

SIGNODE ENGINEERED PRODUCTS

Hand Tool Division
3610 W. Lake Avenue,
Glenview, Illinois 60025

SIGNODE NEW TOOL WARRANTY

Signode Engineered Products Warrants that a new Signode strapping tool will operate per functional specifications for a period of sixty (60) days after the date of shipment to the owner's place of business. Normal wearing parts, as outlined in the Operation, Parts & Safety manual, are covered by a thirty (30) day warranty unless, in Signode's judgement, these parts have been subjected to abnormal or extreme usage. Signode's sole liability hereunder will be to repair or replace, without charge, F.O.B. Signode's Glenview, Illinois plant, any tool which proves to not operate per functional specifications within the stated period. Signode reserves the right to replace any tool which proves not to operate per functional specifications with a new or like-new tool of the same model if in Signode's judgement such replacement is appropriate.

Any new replacement tool provided to an owner will carry a full sixty (60) day warranty. Any warranty repaired tool or like-new replacement tool will carry a warranty for the balance of the time remaining on the initial sixty (60) day warranty. This warranty will be extended to compensate for the time the tool is in Signode's possession for warranty repairs.

This warranty is void as to any tool which has been: (I) subjected to mis-use, misapplication, accident, damage, or repaired with other than genuine Signode replacement parts, (II) improperly maintained, or adjusted, or damaged in transit or handling; (III) used with improperly filtered, unlubricated air or improper strapping material, (IV) in Signode's opinion, altered or repaired in a way that affects or detracts from the performance of the tool.

SIGNODE MAKES NO WARRANTY, EXPRESSED OR IMPLIED, RELATING TO MERCHANTABILITY, FITNESS OR OTHERWISE EXCEPT AS STATED ABOVE AND SIGNODE'S LIABILITY AS ASSUMED ABOVE IS IN LIEU OF ALL OTHERS ARISING OUT OF OR IN CONNECTION WITH THE USE AND PERFORMANCE OF THE TOOL. IT IS EXPRESSLY UNDERSTOOD THAT SIGNODE SHALL IN NO EVENT BE LIABLE FOR ANY INDIRECT OR CONSEQUENTIAL DAMAGES INCLUDING, BUT NOT LIMITED TO, DAMAGES WHICH MAY ARISE FROM LOSS OF ANTICIPATED PROFITS OR PRODUCTION, SPOILAGE OF MATERIALS, INCREASED COSTS OF OPERATION OR OTHERWISE.

Considerable effort has been made to ensure that this product conforms to our high quality standards. However, should you experience any difficulties, please contact your Sales Representative providing samples and the manufacturing code specified on the tool.

Thank you for your help.

SIGNODE ENGINEERED PRODUCTS
Hand Tool Division
3620 W. Lake Avenue, Glenview, Illinois 60025

PART #	DESCRIPTION	AREA OF USE
LUBRICANTS		
008556	LS-1236 AIR LINE OIL	AIR MOTORS, AIR VALVES
422792	WHITE LUBRIPLATE GR-132 GREASE	PNEUMATIC PARTS, AIR CYLINDERS, AIR VALVES, O-RINGS
422793	BLACK LUBRIPLATE 3000W GREASE	MOVING EXTERNAL PARTS, JAWS, LINKS
425239	RED MOBILITH SHC 007 GREASE	INTERNAL GEARS
432322	EP ACCROLUBE GREASE	HIGH FRICTION CONTACT PARTS
ADHESIVES		
274111	LOCTITE #380 BLACK MAX	PERMANENT, FLAT SURFACE PART CONTACT
422794	LOCTITE #222 PURPLE	LOW STRENGTH, SCREWS 1/4" (6MM) OR SMALLER SIZES
422795	LOCTITE #242 BLUE	MEDIUM STRENGTH SCREWS 5/16" (8MM) OR LARGER SIZES
422796	LOCTITE #271 RED	HIGH STRENGTH, SEMI-PERMANENT SCREWS APPLICATION
422797	LOCTITE #609 GREEN	PERMANENT, CURVED SURFACE PART CONTACT
CLEANING BRUSHES		
023963	SMALL BRUSH	FEEDWHEEL & GRIPPER TEETH
269589	LARGE BRUSH	FEEDWHEEL & GRIPPER TEETH